

(2.00 mm) .0787"

YTW SERIES

HIGH-DENSITY BOARD STACKER

SPECIFICATIONS

For complete specifications see www.samtec.com?YTW

Insulator Material: Black Liquid Crystal Polymer

Terminal Material: Phosphor Bronze

Operating Temp Range: -55 °C to +105 °C with Tin; -55 °C to +125 °C with Gold

Plating: Sn or Au over 50 μ" (1.27 μm) Ni

RoHS Compliant: Yes
Lead-Free Solderable: Wave only

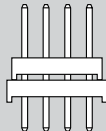
RECOGNITIONS

For complete scope of recognitions see www.samtec.com/quality

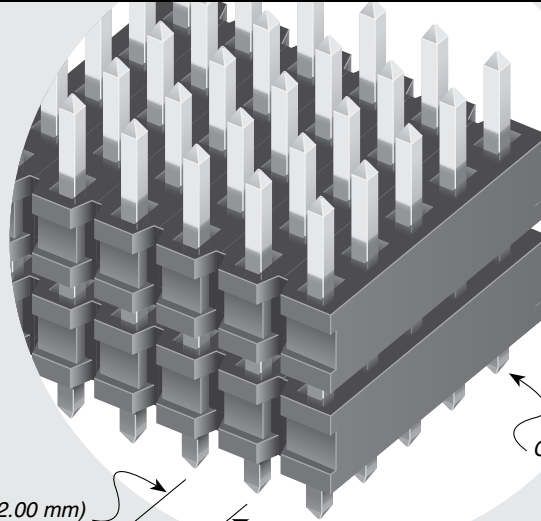


Mates with: YTQ, YTS, YTE

OTHER SOLUTIONS



Paste In Hole (PIH) processing. Contact Samtec ASP Group.



YTW	NO. PINS PER ROW	LEAD STYLE	PLATING OPTION	ROW OPTION	STACKER HEIGHT	TAIL SPEC																												
	02 thru 50	Specify LEAD STYLE from chart below.	<p>-G = 20 μ" (0.51 μm) Gold contact area, Gold flash on tail</p> <p>-S = 30 μ" (0.76 μm) Gold contact area, Tin on tail (Style -01 & -02 not available)</p> <p>-L = 10 μ" (0.25 μm) Gold contact area, Tin on tail</p> <p>-T = Tin</p>	<p>-Q = Four Row</p> <p>-5 = Five Row</p> <p>-6 = Six Row</p>	<p>-“XXX” = Stacker Height In inches (0.13 mm) .005" increments Example: -250 = (6.35 mm) .250"</p>	<p>-“XXX” = Tail Length In inches (0.13 mm) .005" increments Example: -150 = (3.81 mm) .150"</p> <p>-“XXX” = Polarized Position</p>																												
				<table border="1"> <thead> <tr> <th>LEAD STYLE</th> <th>OAL</th> </tr> </thead> <tbody> <tr><td>-01</td><td>(8.20) .323</td></tr> <tr><td>-02</td><td>(9.60) .377</td></tr> <tr><td>-03</td><td>(13.60) .535</td></tr> <tr><td>-04</td><td>(14.10) .555</td></tr> <tr><td>-05</td><td>(15.10) .594</td></tr> <tr><td>-06</td><td>(17.10) .673</td></tr> <tr><td>-07</td><td>(19.10) .751</td></tr> <tr><td>-09</td><td>(11.60) .456</td></tr> <tr><td>-10</td><td>(15.60) .614</td></tr> <tr><td>-11</td><td>(10.08) .397</td></tr> </tbody> </table>	LEAD STYLE	OAL	-01	(8.20) .323	-02	(9.60) .377	-03	(13.60) .535	-04	(14.10) .555	-05	(15.10) .594	-06	(17.10) .673	-07	(19.10) .751	-09	(11.60) .456	-10	(15.60) .614	-11	(10.08) .397	<table border="1"> <thead> <tr> <th>ROW OPTION</th> <th>STACKER HEIGHT</th> </tr> </thead> <tbody> <tr><td>-Q</td><td>(3.05) .120 MIN</td></tr> <tr><td>-5 & -6</td><td>(4.06) .160 MIN</td></tr> </tbody> </table>	ROW OPTION	STACKER HEIGHT	-Q	(3.05) .120 MIN	-5 & -6	(4.06) .160 MIN	
LEAD STYLE	OAL																																	
-01	(8.20) .323																																	
-02	(9.60) .377																																	
-03	(13.60) .535																																	
-04	(14.10) .555																																	
-05	(15.10) .594																																	
-06	(17.10) .673																																	
-07	(19.10) .751																																	
-09	(11.60) .456																																	
-10	(15.60) .614																																	
-11	(10.08) .397																																	
ROW OPTION	STACKER HEIGHT																																	
-Q	(3.05) .120 MIN																																	
-5 & -6	(4.06) .160 MIN																																	

Note: This Series is non-standard, non-returnable.