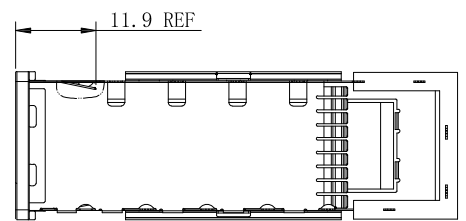
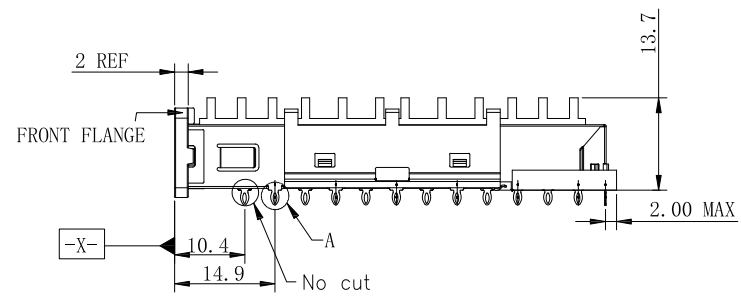
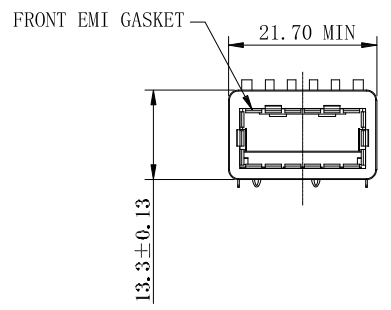
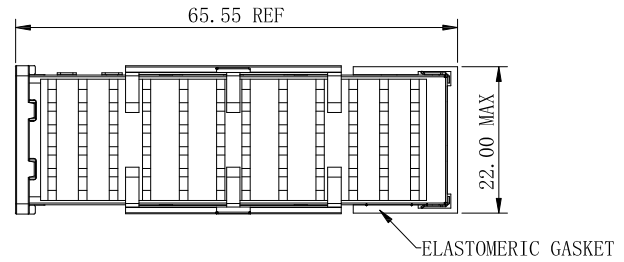
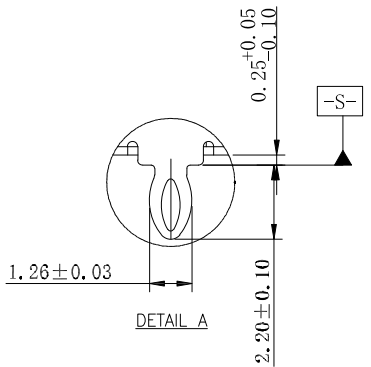


6	5	4	3	2	1
APPROVED: _____			Rev	AWO #	Description
DATE: _____ TITLE: _____			-		RELEASED
					Date
					5/28/21
					Appr



**SPECIFICATIONS:**

Material:  
 Cage: Copper Alloy  
 Electrometric Gasket: Conductive Rubber  
 Cage Rear EMI Gasket: Conductive Foam  
 Front Flange: Zinc Alloy, Nickel plated  
 Front EMI Gasket: Copper Alloy, Matte Tin over Nickel underplate overall  
 Heat Sink Clip: Copper Alloy  
 Heat Sink: Aluminum, Nickel plated  
 Temperature Rating:  
 Operating temperature: -40°C to +85°C  
 Environmental:  
 Lead free, RoHS compliant



UNLESS OTHERWISE SPECIFIED ALL DIMENSIONS ARE MILLIMETERS. TOLERANCES: EXCEPT AS NOTED		
mm	Angles	
.X ± .25	± 2°	
.XX ± .13		
.XXX ± .10		
DRAWN	WX	5/28/21
CHECKED	RC	5/28/21
APPROVED		
THIS DRAWING CONTAINS INFORMATION THAT IS PROPRIETARY AND SHOULD NOT BE USED WITHOUT PRIOR WRITTEN PERMISSION FROM ADAM TECH		

	909 Rahway Avenue, Union, NJ 07083 Phone: 908-687-5000 Fax: 908-687-5710	
	<b>TITLE</b> 10 GIGABIT SMALL FORM FACTOR CAGE, 1PORT DIP TYPE, PRESS FIT, EMI CLIP W/ GASKET, W/ HEAT SINK	
<b>SIZE</b> X	<b>PART NO.</b> XFC-1-CS2-EMI-PF-HSK	<b>REV.</b> -
<b>REF:</b> S00005C	<b>SCALE:</b> NTS	<b>SHEET</b> 1 OF 3

6

5

4

3

2

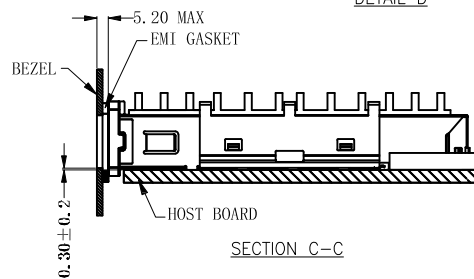
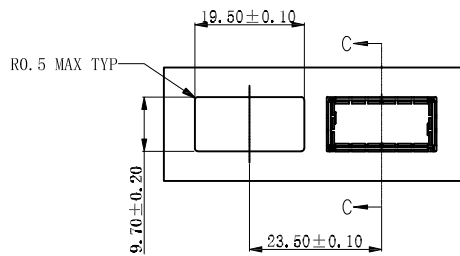
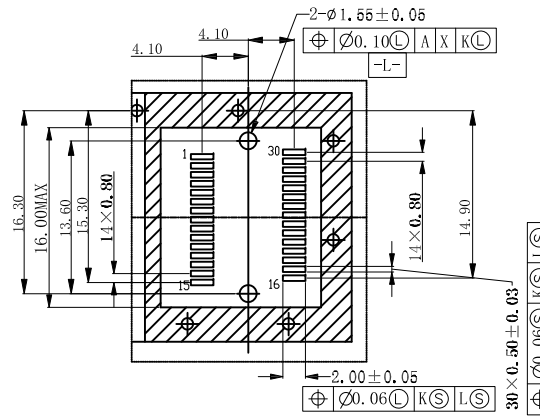
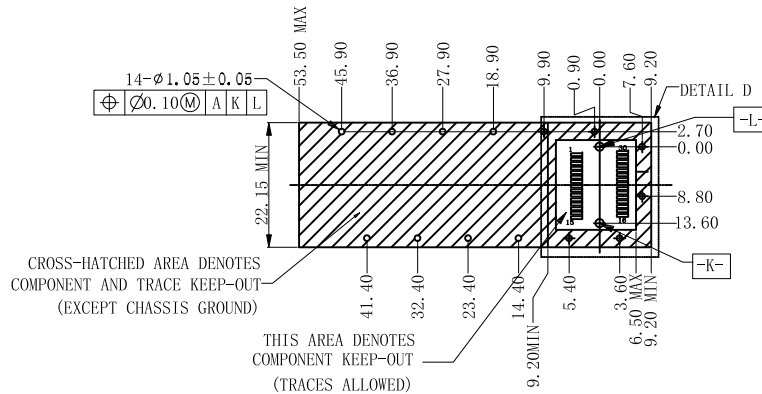
1

APPROVED: \_\_\_\_\_

DATE: \_\_\_\_\_ TITLE: \_\_\_\_\_

Rev	AWO #	Description	Date	Appr
-----	-------	-------------	------	------

SEE SHT 1 OF 3 FOR REVISION



UNLESS OTHERWISE SPECIFIED ALL DIMENSIONS ARE MILLIMETERS. TOLERANCES: EXCEPT AS NOTED

mm	Angles
.X ± .25	± 2°
.XX ± .13	
.XXX ± .10	

DRAWN	WX	5/28/21
CHECKED	RC	5/28/21
APPROVED		

THIS DRAWING CONTAINS INFORMATION THAT IS PROPRIETARY AND SHOULD NOT BE USED WITHOUT PRIOR WRITTEN PERMISSION FROM ADAM TECH

**ADAM TECH**

909 Rahway Avenue,  
Union, NJ 07083  
Phone: 908-687-5000  
Fax: 908-687-5710

TITLE	10 GIGABIT SMALL FORM FACTOR CAGE, 1PORT DIP TYPE, PRESS FIT, EMI CLIP W/ GASKET, W/ HEAT SINK	
SIZE	PART NO.	REV.
X	XFC-1-CS2-EMI-PF-HSK	-
REF: S00005C	SCALE: NTS	SHEET 2 OF 3

6

5

4

3

2

1

6 5 4 3 2 1

APPROVED: \_\_\_\_\_  
DATE: \_\_\_\_\_ TITLE: \_\_\_\_\_

Rev	AWO #	Description	Date	Appr
SEE SHT 1 OF 3 FOR REVISION				

CROSS-HATCHED AREA DENOTES COMPONENT AND TRACE KEEP-OUT (EXCEPT CHASSIS GROUND)

THIS AREA DENOTES COMPONENT KEEP-OUT (TRACES ALLOWED)

SECTION D-D

UNLESS OTHERWISE SPECIFIED ALL DIMENSIONS ARE MILLIMETERS. TOLERANCES: EXCEPT AS NOTED

mm	Angles
.X ± .25	± 2°
.XX ± .13	
.XXX ± .10	

DRAWN	WX	5/28/21
CHECKED	RC	5/28/21
APPROVED		

THIS DRAWING CONTAINS INFORMATION THAT IS PROPRIETARY AND SHOULD NOT BE USED WITHOUT PRIOR WRITTEN PERMISSION FROM ADAM TECH

**ADAM TECH**

909 Rahway Avenue,  
Union, NJ 07083  
Phone: 908-687-5000  
Fax: 908-687-5710

TITLE	10 GIGABIT SMALL FORM FACTOR CAGE, 1PORT DIP TYPE, PRESS FIT, EMI CLIP W/ GASKET, W/ HEAT SINK
SIZE	X
PART NO.	XFC-1-CS2-EMI-PF-HSK
REV.	-
REF:	S00005C
SCALE:	NTS
SHEET	3 OF 3

6 5 4 3 2 1