



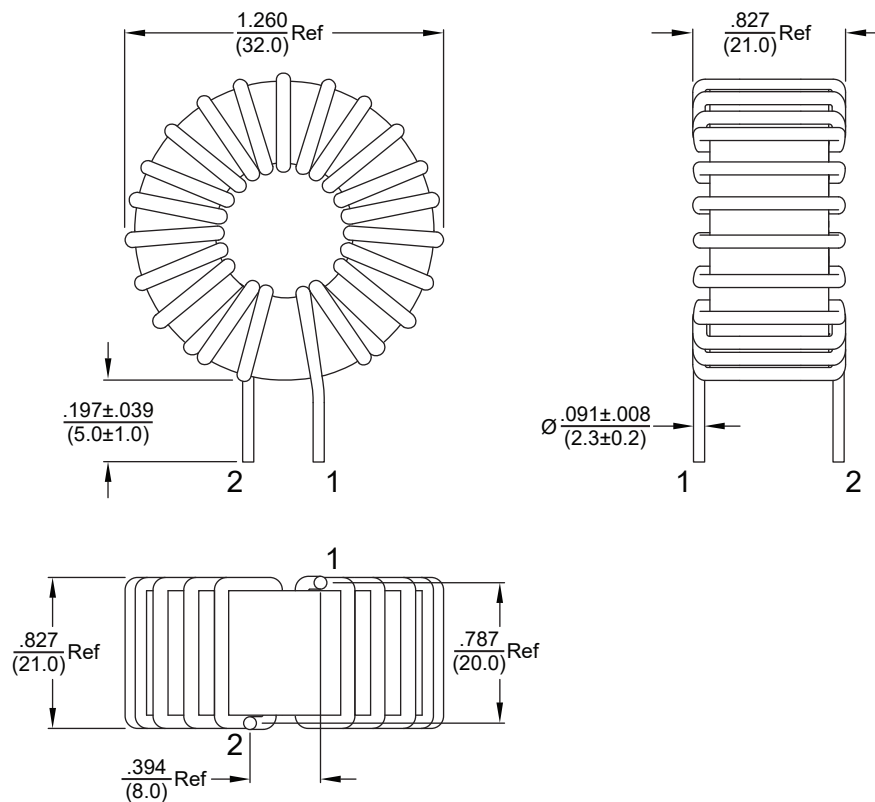
- High Current
- Operating Temperature Range: -40°C to +125°C
- Storage Temperature Range: -20°C to +60°C

Electrical Specifications @25°C			
Inductance @ 100KHz, 0.1V 0A DC	Inductance @ 100KHz, 0.1V 20A DC	DCR (mΩ) Max	Rated Current (A)
58.75μH ±12%	46.88μH Ref	12.0	20

All specifications subject to change without notice.

MECHANICAL

Dimensions: $\frac{\text{inch}}{\text{(mm)}}$



SCHEMATICS

