

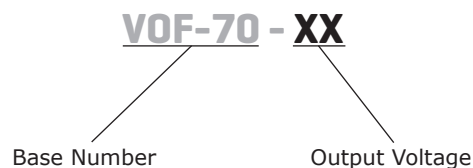
SERIES: VOF-70 | **DESCRIPTION:** AC-DC POWER SUPPLY**FEATURES**

- up to 70 W continuous power
- compact size
- universal input (90~277 Vac)
- single output from 5~48 Vdc
- user trimmable output voltage option
- no load power consumption <0.24W
- 3000 Vac isolation
- over current, over voltage, and short circuit protections
- certified to 60950: UL/cUL
- efficiency up to 90%



| MODEL | output voltage | output current | output power | ripple and noise ¹ | efficiency |
|------------|----------------|----------------|--------------|-------------------------------|------------|
| | (Vdc) | max (A) | max (W) | max (mVp-p) | typ (%) |
| VOF-70-5 | 5 | 8.61 | 43 | 120 | 81 |
| VOF-70-12* | 12 | 5.9 | 70 | 120 | 87 |
| VOF-70-15* | 15 | 4.7 | 70 | 150 | 87 |
| VOF-70-24* | 24 | 3 | 70 | 240 | 88 |
| VOF-70-28 | 28 | 2.5 | 70 | 280 | 88 |
| VOF-70-48 | 48 | 1.5 | 70 | 480 | 90 |

Notes: 1. Ripple & noise are measured at 20 MHz BW with 0.1 μ F ceramic cap and a 10 μ F electrolytic capacitors on the output and the two earth ground pads are connected to input earth ground.
 2. * Discontinued model.

PART NUMBER KEY

INPUT

| parameter | conditions/description | min | typ | max | units |
|---------------------------|--|-----|------------|--------------|--------|
| voltage | | 90 | | 277 | Vac |
| frequency | | 47 | | 63 | Hz |
| input current | at 115 Vac, full load at 230 Vac, full load | | 1.5 0.7 | | A A |
| inrush current | at 230 Vac, cold start | | 50 | | A |
| leakage current | at 277 Vac | | | 3.5 | mA |
| no load power consumption | at 110 Vac at 230 Vac | | | 0.24 0.30 | W W |
| input fuse | 2 A/250V time delay fuse (included) | | | | |

OUTPUT

| parameter | conditions/description | min | typ | max | units |
|----------------------------|--|-----|---|-----|--|
| line regulation | low line to high line | | ±0.5 | | % |
| load regulation | full load to 10% load | | ±1 | | % |
| initial set point accuracy | | | ±3 | | % |
| transient response | 1 kHz, 10~100% load VOF-70-5 VOF-70-12 VOF-70-15 VOF-70-24 VOF-70-28 VOF-70-48 | | 500 1200 1500 2400 2800 4800 | | mVp-p mVp-p mVp-p mVp-p mVp-p mVp-p |
| hold-up time | at 115 Vac, full load | 8 | | | ms |
| start-up time | at 115 Vac, full load | | 50 | | ms |
| start-up delay | at 115 Vac, full load | | 1000 | | ms |
| adjustability | built in trim pot | | ±5 | | % |
| switching frequency | | 61 | 65 | 69 | kHz |
| temperature coefficient | | | ±0.03 | | %/°C |

PROTECTIONS

| parameter | conditions/description | min | typ | max | units |
|--------------------------|------------------------|-----|-----|-----|-------|
| short circuit protection | hiccup, auto recovery | 110 | | | % |
| over current protection | hiccup, auto recovery | 110 | | | % |
| over voltage protection | clamped by TVS | | | | |

SAFETY & COMPLIANCE

| parameter | conditions/description | min | typ | max | units |
|----------------------|---|-------------------------|-----|-----|-------------------|
| isolation voltage | input to output input to ground output to ground | 3,000 1,500 1,500 | | | Vac Vac Vac |
| safety approvals | certified to 60950: UL/cUL | | | | |
| EMI/EMC ¹ | EN 55022: 2010 Class B, EN 61204-3:2000, EN 61000-6-3: 2007 +A1: 2011, EN 61000-3-2: 2006 +A2: 2009, EN 61000-3-3: 2008, EN 55024: 2010, EN 61000-6-1: 2007, ENV 50204: 1995, CE, FCC | | | | |
| class | class II | | | | |
| MTBF | as per MIL-HDBK-217F at 25 °C, full load | 250,000 | | | hours |
| RoHS | 2011/65/EU | | | | |

Notes: 1. The power supply is considered a component which will be installed into final equipment. The final equipment still must be tested to meet the necessary EMC directives.

ENVIRONMENTAL

| parameter | conditions/description | min | typ | max | units |
|-----------------------|--|-----|------|-----|-------|
| operating temperature | see derating curves | -20 | | 60 | °C |
| storage temperature | | -40 | | 85 | °C |
| operating humidity | non-condensing | 20 | | 90 | % |
| storage humidity | non-condensing | 20 | | 90 | % |
| operating altitude | | | 2000 | | m |
| vibration & shock | 10~3000Hz, 10 minutes per cycle, for 1 hour along each of the X, Y, and Z axes | | 2 | | G |

DERATING CURVES



MECHANICAL

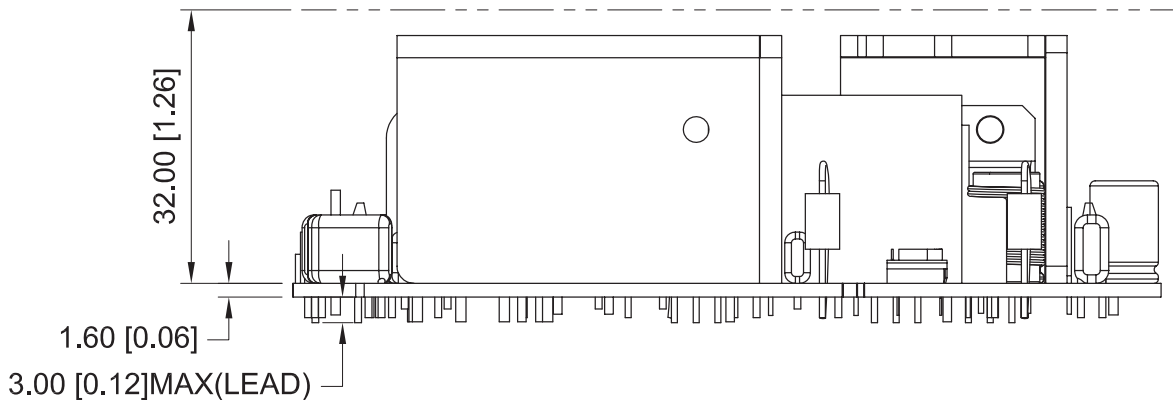
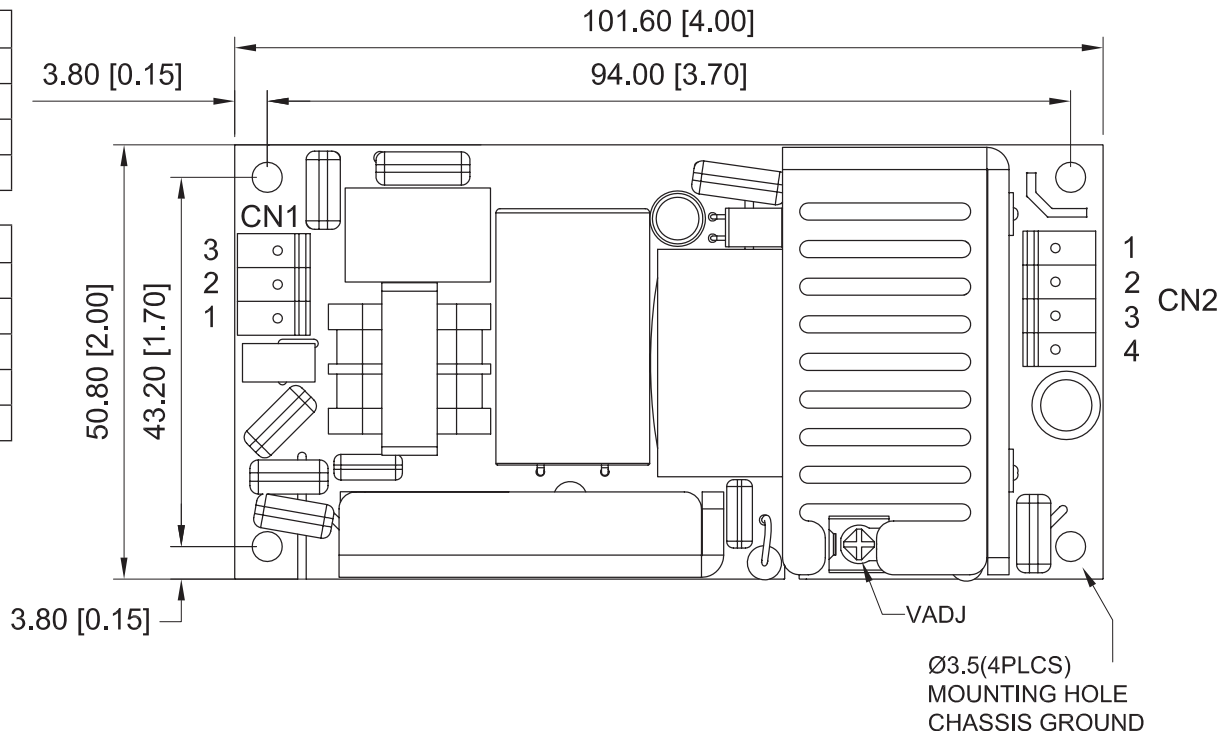
| parameter | conditions/description | min | typ | max | units |
|----------------|---|-----|-----|-----|-------|
| dimensions | 101.6 x 50.8 x 33.6 (4.00 x 2.00 x 1.32 inch) | | | | mm |
| weight | | | 160 | | g |
| cooling method | open frame (convection) | | | | |

MECHANICAL DRAWING

units: mm[inch]
tolerance: ±0.30

| CN1 | |
|-----|----------|
| PIN | Function |
| 1 | L |
| 2 | NP |
| 3 | N |

| CN2 | |
|-----|----------|
| PIN | Function |
| 1 | +Vo |
| 2 | +Vo |
| 3 | -Vo |
| 4 | -Vo |



- Notes:
- CN1 mates with Molex housing 09-50-3031 with Molex 2478 series crimp contact or equivalent.
 - CN2 mates with Molex housing 09-50-3041 with Molex 2478 series crimp contact or equivalent.
 - All specifications are measured at Ta=25°C, 230 Vac input voltage, and rated output load unless otherwise specified.

REVISION HISTORY

| rev. | description | date |
|------|---|------------|
| 1.0 | initial release | 04/08/2014 |
| 1.01 | updated datasheet | 05/09/2014 |
| 1.02 | updated datasheet | 07/22/2014 |
| 1.03 | safety information updated | 11/19/2020 |
| 1.04 | discontinued model VOF-70-12, VOF-70-15 & VOF-70-24 | 02/06/2023 |

The revision history provided is for informational purposes only and is believed to be accurate.



CUI INC

a bel group

Headquarters

20050 SW 112th Ave.
Tualatin, OR 97062
800.275.4899

Fax 503.612.2383
cui.com
techsupport@cui.com

CUI offers a two (2) year limited warranty. Complete warranty information is listed on our website.

CUI reserves the right to make changes to the product at any time without notice. Information provided by CUI is believed to be accurate and reliable. However, no responsibility is assumed by CUI for its use, nor for any infringements of patents or other rights of third parties which may result from its use.

CUI products are not authorized or warranted for use as critical components in equipment that requires an extremely high level of reliability. A critical component is any component of a life support device or system whose failure to perform can be reasonably expected to cause the failure of the life support device or system, or to affect its safety or effectiveness.