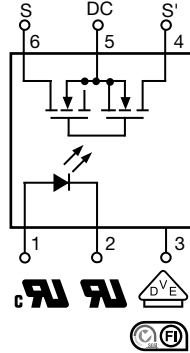
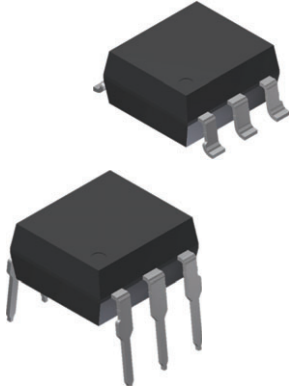




## 1 Form A Solid-State Relay



### FEATURES

- High speed SSR -  $t_{on}/t_{off} < 800 \mu s$
- Maximum  $R_{ON} 0.25 \Omega$
- Isolation test voltage 5300  $V_{RMS}$
- Load voltage 60 V
- Load current 2  $A_{DC}$  configuration
- DIP-6 package
- Clean bounce free switching
- TTL / CMOS compatible input
- Available on tape and reel
- Material categorization: for definitions of compliance please see [www.vishay.com/doc?99912](http://www.vishay.com/doc?99912)



RoHS COMPLIANT

### APPLICATIONS

- Instrumentation
- Industrial controls
- Security
- Automatic measurement equipment

### LINKS TO ADDITIONAL RESOURCES



### DESCRIPTION

The VO14642 is a high speed single channel normally open solid-state relay (SPST - 1 form A) in a DIP-6 package. The relay is constructed as a multi-chip hybrid device. A high efficient infrared LED enables low forward current on the input side. On the output side high performance MOSFET switches provide a low  $R_{ON}$  and can be configured for AC/DC or DC only operation.

### AGENCY APPROVALS

- [UL 1577](#)
- [cUL](#)
- [DIN EN 60747-5-5 \(VDE 0884-5\)](#)
- [FIMKO](#)

#### Note

- Agency approvals are valid only for ambient temperature range -40 °C to 85 °C

ORDERING INFORMATION													
V	O	1	4	6	4	2	A	x	x	T	R	DIP-6	SMD-6
PART NUMBER							ELECTR. VARIATION	PACKAGE CONFIG.	TAPE AND REEL				
<b>PACKAGE</b>													
SMD-6, tape and reel												VO14642AABTR	
DIP-6, Tubes												VO14642AT	



ABSOLUTE MAXIMUM RATINGS (T <sub>amb</sub> = 25 °C, unless otherwise specified)				
PARAMETER	TEST CONDITION	SYMBOL	VALUE	UNIT
<b>INPUT</b>				
LED continuous forward current		I <sub>F</sub>	50	mA
LED reverse voltage		V <sub>R</sub>	5	V
LED power dissipation	At 25 °C	P <sub>diss</sub>	80	mW
<b>OUTPUT</b>				
DC or peak AC load voltage		V <sub>L</sub>	60	V
Load current (DC only)		I <sub>L</sub>	2000	mA
Peak load current (AC/DC)	t = 10 ms	I <sub>LPK</sub>	3.6	A
Output power dissipation	At 25 °C	P <sub>diss</sub>	250	mW
<b>SSR</b>				
Total power dissipation		P <sub>diss</sub>	330	mW
Ambient temperature range		T <sub>amb</sub>	-55 to +85	°C
Storage temperature range		T <sub>stg</sub>	-55 to +125	°C
Soldering temperature <sup>(1)</sup>	t ≤ 10 s max.	T <sub>sld</sub>	260	°C

Notes

- Stresses in excess of the absolute maximum ratings can cause permanent damage to the device. Functional operation of the device is not implied at these or any other conditions in excess of those given in the operational sections of this document. Exposure to absolute maximum ratings for extended periods of the time can adversely affect reliability.
- <sup>(1)</sup> Refer to reflow profile for soldering conditions for surface mounted devices (SMD). Refer to wave profile for soldering conditions for through hole devices (DIP).

ABSOLUTE MAXIMUM RATING CURVE

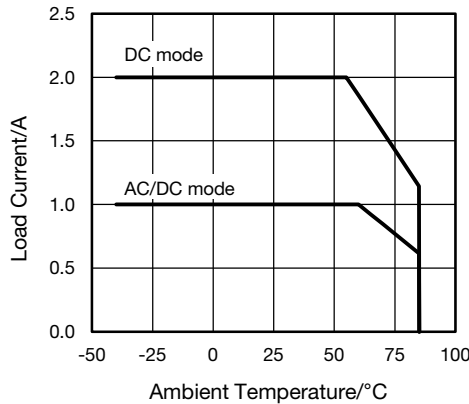
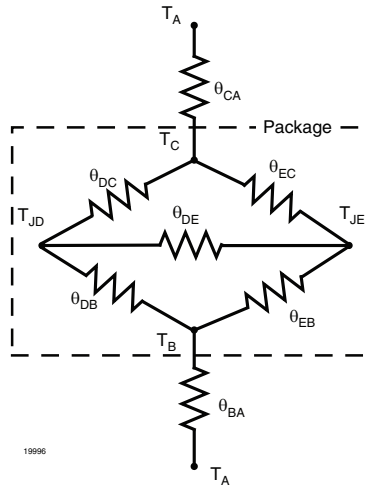


Fig. 1 - Load Current (AC/DC) vs. Temperature

THERMAL CHARACTERISTICS				
PARAMETER	TEST CONDITION	SYMBOL	VALUE	UNIT
Maximum LED junction temperature	At 25 °C	T <sub>jmax.</sub>	125	°C
Maximum output die junction temperature	At 25 °C	T <sub>jmax.</sub>	125	°C
Thermal resistance, junction emitter to board	At 25 °C	θ <sub>EB</sub>	176	°C/W
Thermal resistance, junction emitter to case	At 25 °C	θ <sub>EC</sub>	208	°C/W
Thermal resistance, junction detector to board	At 25 °C	θ <sub>DB</sub>	67	°C/W
Thermal resistance, junction detector to case	At 25 °C	θ <sub>DC</sub>	134	°C/W
Thermal resistance, junction emitter to junction detector	At 25 °C	θ <sub>ED</sub>	310	°C/W
Thermal resistance, case to ambient	At 25 °C	θ <sub>CA</sub>	2180	°C/W

Note

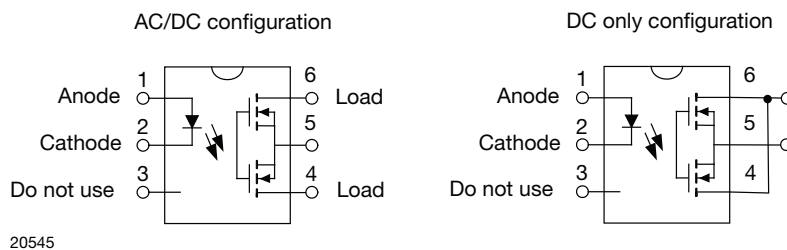
- The thermal model is represented in the thermal network below. Each resistance value given in this model can be used to calculate the temperatures at each node for a given operating condition. The thermal resistance from board to ambient will be dependent on the type of PCB, layout and thickness of copper traces. For a detailed explanation of the thermal model, please reference Vishay's thermal characteristics of optocouplers application note.



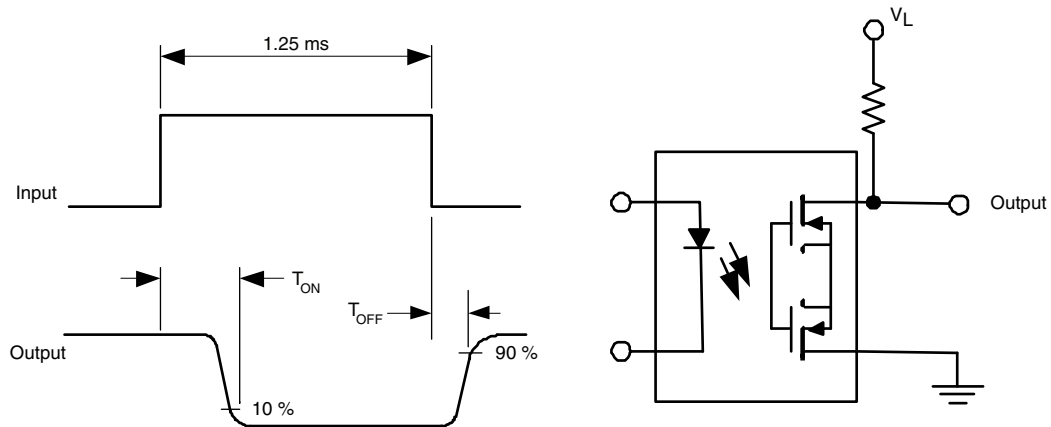
<b>ELECTRICAL CHARACTERISTICS</b> ( $T_{amb} = 25\text{ }^{\circ}\text{C}$ , unless otherwise specified)						
PARAMETER	TEST CONDITION	SYMBOL	MIN.	TYP.	MAX.	UNIT
<b>INPUT</b>						
LED forward current, switch turn-on	$I_L = 1\text{ A}$ , $V_L \leq 0.5\text{ V}$ , $t = 10\text{ ms}$	$I_{Fon}$	-	0.5	2	mA
LED forward current, switch turn-off	$V_L = 60\text{ V}$ , $I_L < 1\text{ }\mu\text{A}$	$I_{Foff}$	50	-	-	$\mu\text{A}$
LED reverse current	$V_R = 5\text{ V}$	$I_R$	-	-	10	$\mu\text{A}$
LED forward voltage	$I_F = 10\text{ mA}$	$V_F$	1	1.3	1.5	V
<b>OUTPUT</b>						
On-resistance (AC/DC)	$I_F = 10\text{ mA}$ , $I_L = 1\text{ A}$	$R_{ON}$	-	0.18	0.25	$\Omega$
On-resistance (DC only)	$I_F = 10\text{ mA}$ , $I_L = 2\text{ A}$	$R_{ON}$	-	0.05	0.07	$\Omega$
Off-state leakage current	$I_F = 0\text{ mA}$ , $V_L = 60\text{ V}$	$I_{LEAK}$	-	-	1	$\mu\text{A}$

**Note**

- Minimum and maximum values are testing requirements. Typical values are characteristics of the device and are the result of engineering evaluations. Typical values are for information only and are not part of the testing requirements.

**PIN CONFIGURATION**


<b>SWITCHING CHARACTERISTICS (AC/DC CONNECTION)</b>						
PARAMETER	TEST CONDITION	SYMBOL	MIN.	TYP.	MAX.	UNIT
Turn-on time	$I_F = 10\text{ mA}$ , $V_L = 30\text{ V}$ , $I_L = 200\text{ mA}$	$t_{on}$	-	370	800	$\mu\text{s}$
Turn-off time	$I_F = 10\text{ mA}$ , $V_L = 30\text{ V}$ , $I_L = 200\text{ mA}$	$t_{off}$	-	50	800	$\mu\text{s}$
Turn-on time	$I_F = 10\text{ mA}$ , $V_L = 5\text{ V}$ , $I_L = 1\text{ A}$	$t_{on}$	-	550	-	$\mu\text{s}$
Turn-off time	$I_F = 10\text{ mA}$ , $V_L = 5\text{ V}$ , $I_L = 1\text{ A}$	$t_{off}$	-	18	-	$\mu\text{s}$



20991-1

SAFETY AND INSULATION RATINGS				
PARAMETER	TEST CONDITION	SYMBOL	VALUE	UNIT
Climatic classification	According to IEC 68 part 1		40 / 085 / 21	
Pollution degree	According to DIN VDE 0109		2	
Comparative tracking index	Insulation group IIIa	CTI	175	
Maximum rated withstanding isolation voltage	According to UL1577, t = 1 min	$V_{ISO}$	5300	$V_{RMS}$
Maximum transient isolation voltage	According to DIN EN 60747-5-5	$V_{IOTM}$	8000	$V_{peak}$
Maximum repetitive peak isolation voltage	According to DIN EN 60747-5-5	$V_{IORM}$	890	$V_{peak}$
Isolation resistance	$T_{amb} = 25\text{ }^{\circ}\text{C}, V_{IO} = 500\text{ V}$	$R_{IO}$	$\geq 10^{12}$	$\Omega$
	$T_{amb} = 100\text{ }^{\circ}\text{C}, V_{IO} = 500\text{ V}$	$R_{IO}$	$\geq 10^{11}$	$\Omega$
	$T_{amb} = T_S, V_{IO} = 500\text{ V}$	$R_{IO}$	$\geq 10^9$	$\Omega$
Output safety power		$P_{SO}$	400	mW
Input safety current		$I_{SI}$	150	mA
Input safety temperature		$T_S$	165	$^{\circ}\text{C}$
Creepage distance			$\geq 7$	mm
Clearance distance			$\geq 7$	mm
Insulation thickness		DTI	$\geq 0.4$	mm

**Note**

- This SSR is suitable for “safe electrical insulation” only within the safety ratings. Compliance with the safety ratings shall be ensured by means of protective circuits.

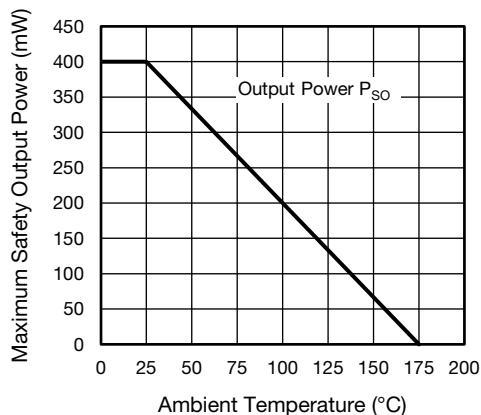


Fig. 2 - Safety Derating (input)

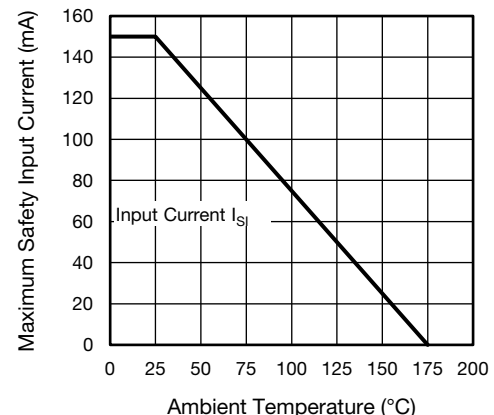


Fig. 3 - Safety Derating (output)



TYPICAL CHARACTERISTICS (T<sub>amb</sub> = 25 °C, unless otherwise specified)

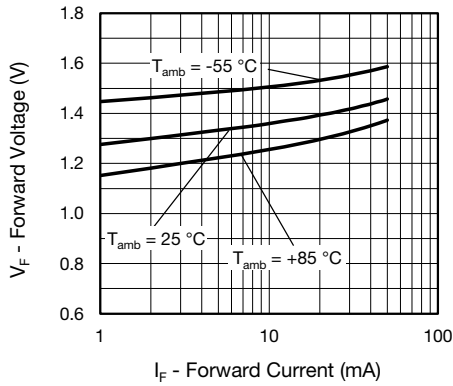


Fig. 4 - Forward Voltage vs. Forward Current

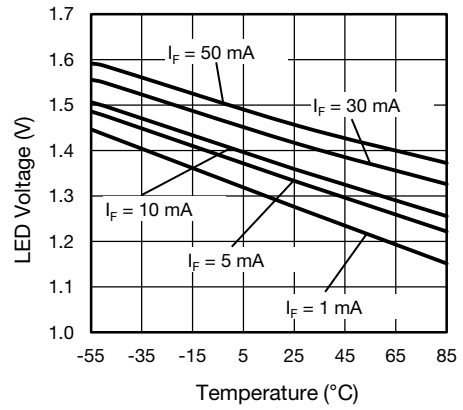


Fig. 7 - LED Voltage vs. Temperature

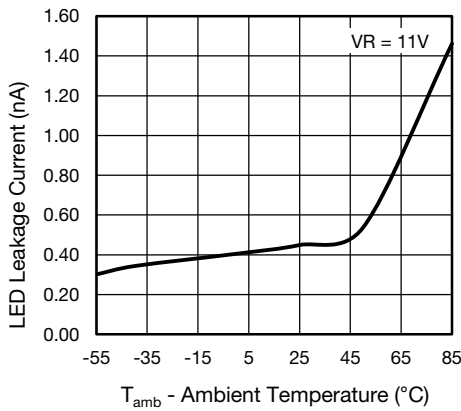


Fig. 5 - LED Leakage Current vs. Ambient Temperature

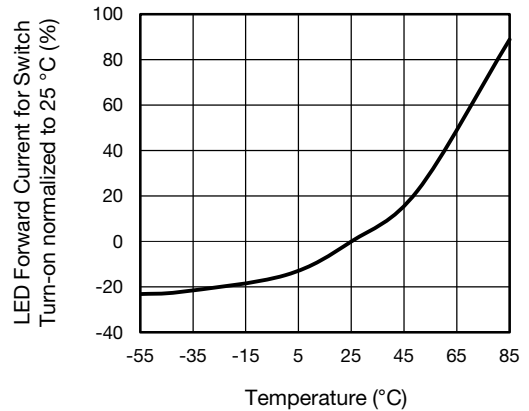


Fig. 8 - LED Forward Current for Switch Turn-On vs. Temperature

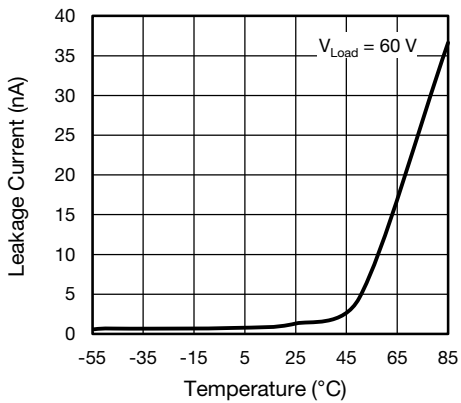


Fig. 6 - Leakage Current vs. Temperature

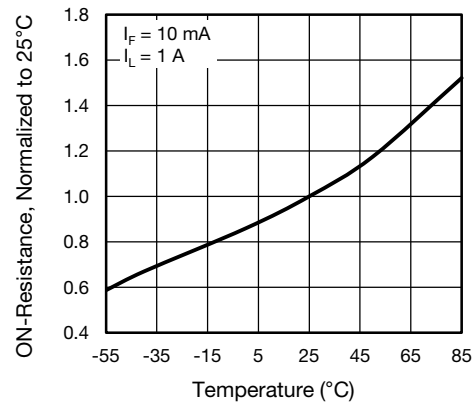


Fig. 9 - On-Resistance vs. Temperature

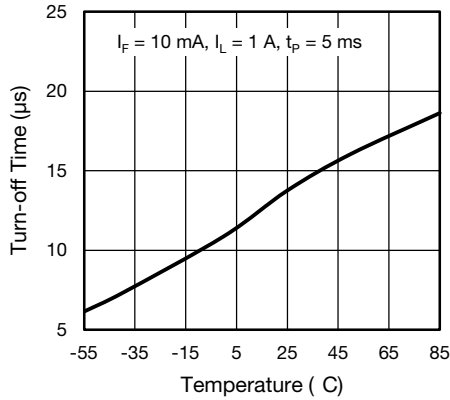


Fig. 10 - Turn-Off Time vs. Temperature

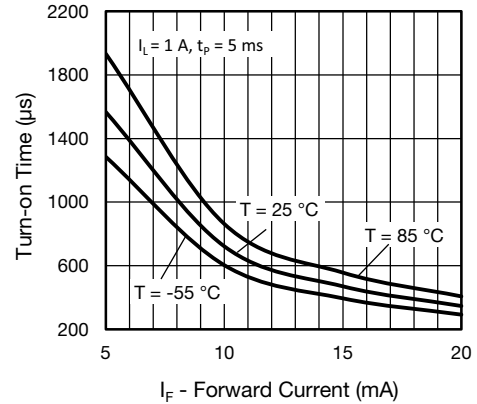


Fig. 13 - Turn-On Time vs. Forward Current

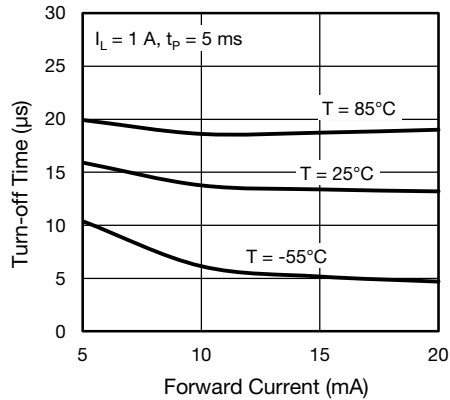


Fig. 11 - Turn-Off Time vs. Forward Current

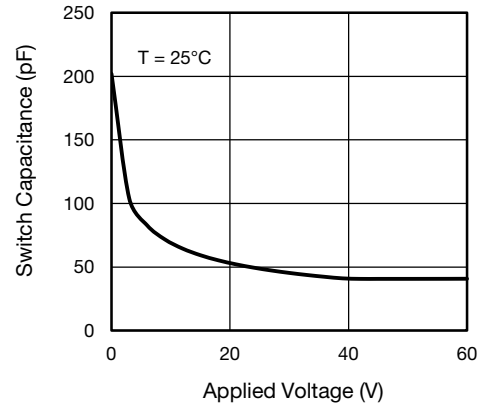


Fig. 14 - Switch Capacitance vs. Applied Voltage

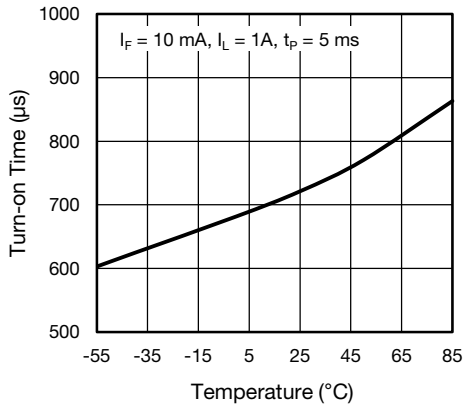
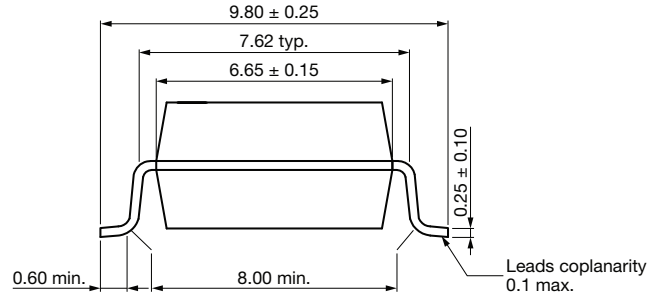
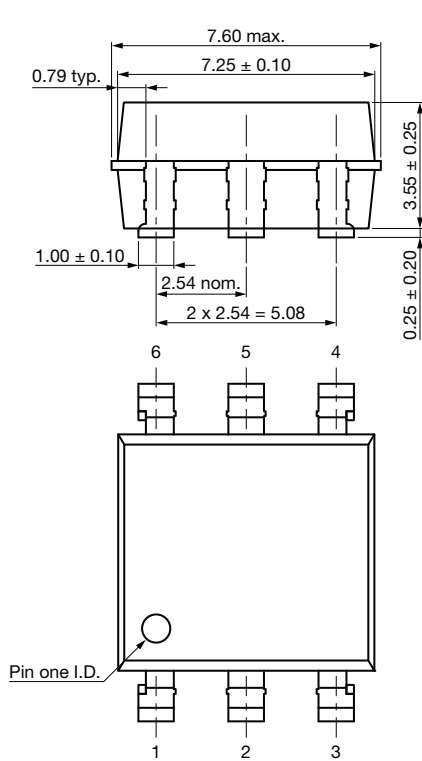


Fig. 12 - Turn-On Time vs. Temperature

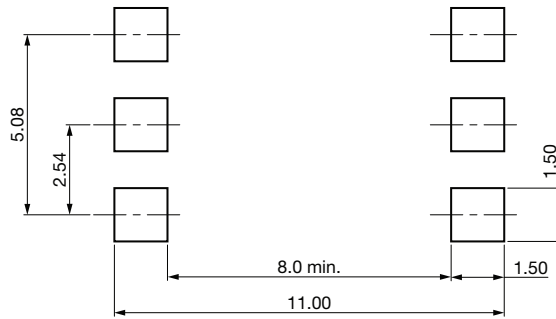


PACKAGE DIMENSIONS (in millimeters)

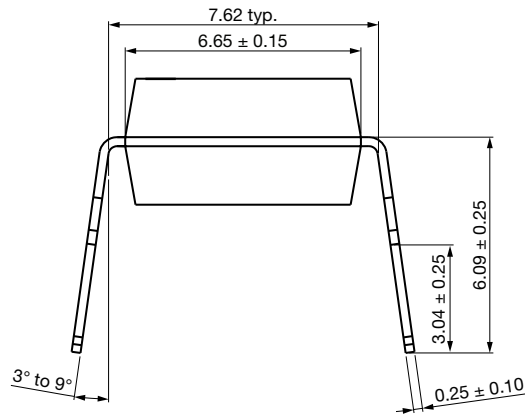
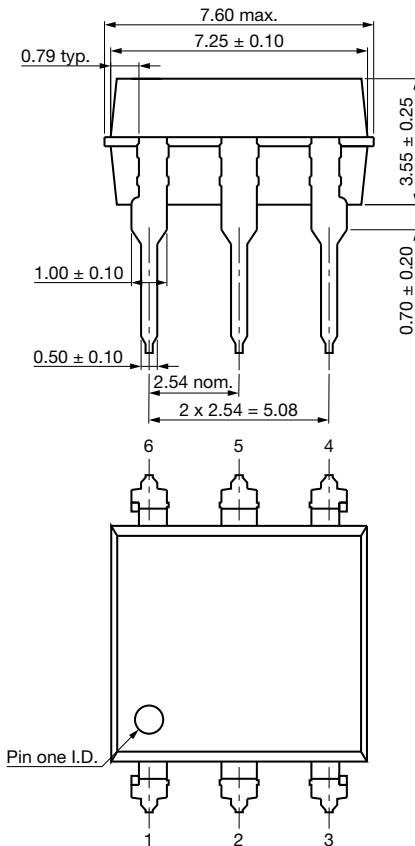
SMD-6



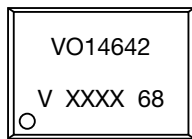
Recommended footprint



DIP-6



**PACKAGE MARKING**



**Notes**

- XXXX = LMC (lot marking code)
- Tape and reel suffix "TR" is not part of the package marking

**PACKING INFORMATION** (in millimeters)

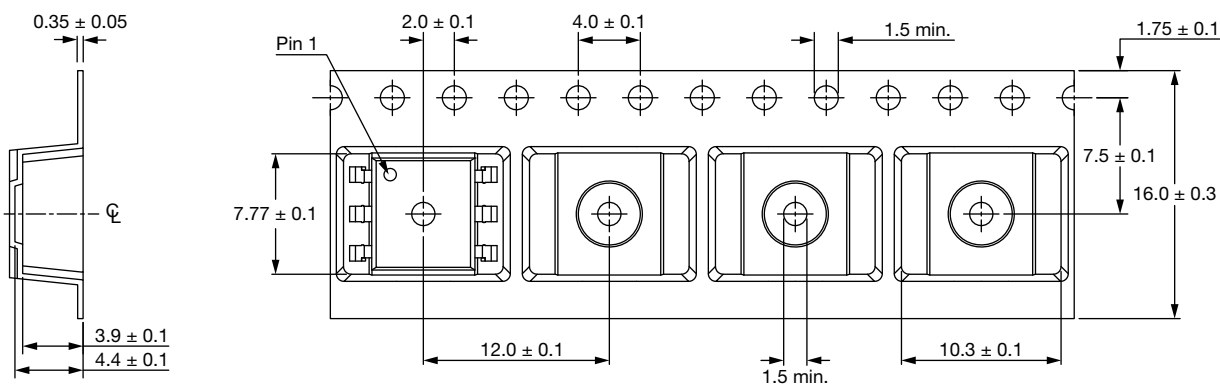
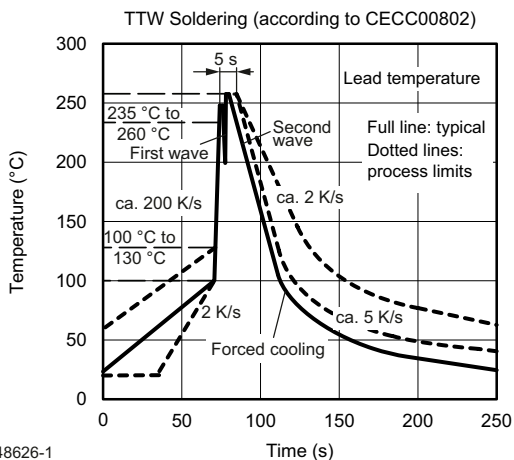


Fig. 15 - Tape and Reel Packing

TAPE AND REEL PACKING	
TYPE	UNITS/REEL
SMD-6	1000

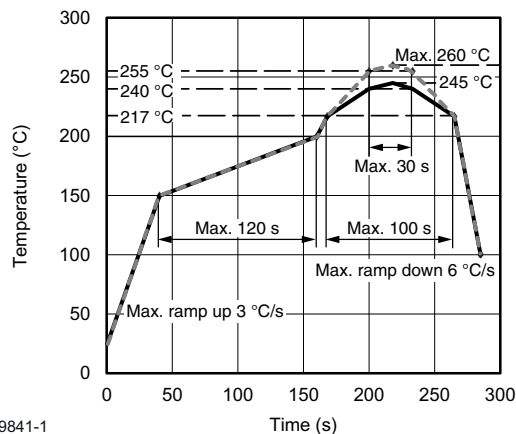
TUBE PACKING			
TYPE	UNITS/TUBE	TUBES/BOX	UNITS/BOX
DIP-6	50	40	2000

**SOLDER PROFILES**



948626-1

Fig. 16 - Wave Soldering Double Wave Profile According to J-STD-020 for DIP Devices



19841-1

Fig. 17 - Lead (Pb)-free Reflow Solder Profile According to J-STD-020 for SMD Devices





**HANDLING AND STORAGE CONDITIONS**

ESD level: HBM class 2

Floor life: unlimited

Conditions:  $T_{amb} < 30\text{ }^{\circ}\text{C}$ , RH < 85 %

Moisture sensitivity level 1, according to J-STD-020



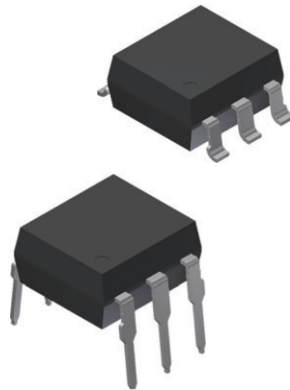
## Footprint and Schematic Information for VO14642AAB, VO14642AT

The footprint and schematic symbols for the following parts can be accessed using the associated links. They are available in Eagle, Altium, KiCad, OrCAD / Allegro, Pulsonix, and PADS.

Note that the 3D models for these parts can be found on the Vishay product page.

PART NUMBER	FOOTPRINT / SCHEMATIC
VO14642AAB	<a href="http://www.snapeda.com/parts/VO14642AAB/Vishay/view-part">www.snapeda.com/parts/VO14642AAB/Vishay/view-part</a>
VO14642AT	<a href="http://www.snapeda.com/parts/VO14642AT/Vishay/view-part">www.snapeda.com/parts/VO14642AT/Vishay/view-part</a>

For technical issues and product support, please contact [optocoupleranswers@vishay.com](mailto:optocoupleranswers@vishay.com).





## Disclaimer

ALL PRODUCT, PRODUCT SPECIFICATIONS AND DATA ARE SUBJECT TO CHANGE WITHOUT NOTICE TO IMPROVE RELIABILITY, FUNCTION OR DESIGN OR OTHERWISE.

Vishay Intertechnology, Inc., its affiliates, agents, and employees, and all persons acting on its or their behalf (collectively, "Vishay"), disclaim any and all liability for any errors, inaccuracies or incompleteness contained in any datasheet or in any other disclosure relating to any product.

Vishay makes no warranty, representation or guarantee regarding the suitability of the products for any particular purpose or the continuing production of any product. To the maximum extent permitted by applicable law, Vishay disclaims (i) any and all liability arising out of the application or use of any product, (ii) any and all liability, including without limitation special, consequential or incidental damages, and (iii) any and all implied warranties, including warranties of fitness for particular purpose, non-infringement and merchantability.

Statements regarding the suitability of products for certain types of applications are based on Vishay's knowledge of typical requirements that are often placed on Vishay products in generic applications. Such statements are not binding statements about the suitability of products for a particular application. It is the customer's responsibility to validate that a particular product with the properties described in the product specification is suitable for use in a particular application. Parameters provided in datasheets and / or specifications may vary in different applications and performance may vary over time. All operating parameters, including typical parameters, must be validated for each customer application by the customer's technical experts. Product specifications do not expand or otherwise modify Vishay's terms and conditions of purchase, including but not limited to the warranty expressed therein.

Hyperlinks included in this datasheet may direct users to third-party websites. These links are provided as a convenience and for informational purposes only. Inclusion of these hyperlinks does not constitute an endorsement or an approval by Vishay of any of the products, services or opinions of the corporation, organization or individual associated with the third-party website. Vishay disclaims any and all liability and bears no responsibility for the accuracy, legality or content of the third-party website or for that of subsequent links.

Except as expressly indicated in writing, Vishay products are not designed for use in medical, life-saving, or life-sustaining applications or for any other application in which the failure of the Vishay product could result in personal injury or death. Customers using or selling Vishay products not expressly indicated for use in such applications do so at their own risk. Please contact authorized Vishay personnel to obtain written terms and conditions regarding products designed for such applications.

No license, express or implied, by estoppel or otherwise, to any intellectual property rights is granted by this document or by any conduct of Vishay. Product names and markings noted herein may be trademarks of their respective owners.