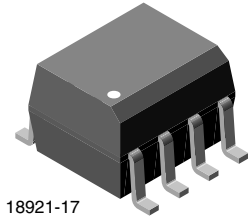
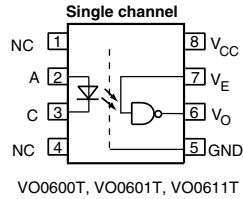




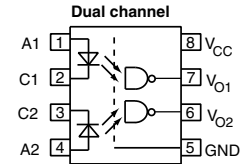
High Speed Optocoupler, 10 MBd, SOIC-8 Package



18921-17



VO0600T, VO0601T, VO0611T



VO0630T, VO0631T, VO0661T

18921-26



RoHS COMPLIANT

FEATURES

- Choice of CMR performance of 15 kV/μs, 5 kV/μs, and 1 kV/μs
High speed: 10 MBd typical
+ 5 V CMOS compatibility
Pure tin leads
Guaranteed AC and DC performance over temperature: - 40 °C to + 100 °C temp. range
Meets IEC 60068-2-42 (SO2) and IEC 60068-2-43 (H2S) requirements
Low input current capability: 5 mA
Material categorization: for definitions of compliance please see www.vishay.com/doc?99912

APPLICATIONS

- Microprocessor system M interface
PLC, ATE input/output isolation
Computer peripheral interface: SPI
Digital fieldbus isolation: CC-Link, DeviceNet, profibus, SDS
High speed A/D and D/A conversion
AC plasma display panel level shifting
Multiplexed data transmission
Digital control power supply
Ground loop elimination

LINKS TO ADDITIONAL RESOURCES



DESCRIPTION

The VO06xxT family are single and dual channel 10 MBd optocoupler utilizing a high efficient input LED coupled with an integrated optical photodiode IC detector. The detector has an open drain NMOS-transistor output, providing less leakage compared to an open collector Schottky clamped transistor output. For the single channel type, an enable function on pin 7 allows the detector to be strobed. The internal shield provides a guaranteed common mode transient immunity of 5 kV/μs for the VO0601T and VO0631T and 15 kV/μs for the VO0611T and VO0661T. The use of a 0.1 μF bypass capacitor connected between pin 5 and 8 is recommended.

AGENCY APPROVALS

- UL
cUL
DIN EN 60747-5-5 (VDE 0884-5), available with option 1

Table with 2 main sections: ORDERING INFORMATION and AGENCY CERTIFIED / PACKAGE. The first section shows a part number breakdown (V, O, 0, 6, #, #, -, X, 0, 0, 1, T) and a SOIC-8 package diagram with a 6.1 mm width. The second section is a table mapping agency certifications (UL, cUL, VDE) to package types and CMR values for 1 and 2 channel devices.



TRUTH TABLE (positive logic)		
LED	ENABLE ⁽¹⁾	OUTPUT
On	H	L
Off	H	H
On	L	H
Off	L	H
On	NC	L
Off	NC	H

Note

⁽¹⁾ Only applicable for single channel devices

ABSOLUTE MAXIMUM RATINGS ($T_{amb} = 25\text{ }^{\circ}\text{C}$, unless otherwise specified)				
PARAMETER	TEST CONDITION	SYMBOL	VALUE	UNIT
INPUT				
Average forward current (single channel)		I_F	20	mA
Average forward current (dual channel)		I_F	15	mA
Reverse input voltage		V_R	5	V
Enable input voltage (single channel)		V_E	$V_{CC} + 0.5\text{ V}$	V
Enable input current (single channel)		I_E	5	mA
Surge current	$t = 100\text{ }\mu\text{s}$	I_{FSM}	200	mA
Output power dissipation (single channel)		P_{diss}	35	mW
Output power dissipation (per channel for dual channel)		P_{diss}	25	mW
OUTPUT				
Supply voltage	1 min maximum	V_{CC}	7	V
Output current		I_O	50	mA
Output voltage		V_O	7	V
Output power dissipation (single channel)		P_{diss}	85	mW
Output power dissipation (per channel for dual channel)		P_{diss}	60	mW
COUPLER				
Isolation test voltage	$t = 1\text{ s}$	V_{ISO}	4000	V_{RMS}
Storage temperature		T_{stg}	-55 to +150	$^{\circ}\text{C}$
Operating temperature		T_{amb}	-40 to +100	$^{\circ}\text{C}$
Lead solder temperature	for 10 s		260	$^{\circ}\text{C}$
Solder reflow temperature ⁽¹⁾	for 1 min		260	$^{\circ}\text{C}$

Notes

- Stresses in excess of the absolute maximum ratings can cause permanent damage to the device. Functional operation of the device is not implied at these or any other conditions in excess of those given in the operational sections of this document. Exposure to absolute maximum ratings for extended periods of the time can adversely affect reliability.

⁽¹⁾ Refer to reflow profile for soldering conditions for surface mounted devices

RECOMMENDED OPERATING CONDITION						
PARAMETER	TEST CONDITION	SYMBOL	MIN.	TYP.	MAX.	UNIT
Operating temperature		T_{amb}	-40	-	+100	$^{\circ}\text{C}$
Supply voltage		V_{CC}	4.5	-	5.5	V
Input current low level		I_{FL}	0	-	250	μA
Input current high level		I_{FH}	5	-	15	mA
Output pull up resistor		R_L	330	-	4K	Ω
Logic high enable voltage		V_{EH}	2	-	V_{CC}	V
Logic low enable voltage		V_{EL}	0.0	-	0.8	V
Fanout	$R_L = 1\text{ k}\Omega$	N	-	-	5	-



ELECTRICAL CHARACTERISTICS ($T_{amb} = 25\text{ }^{\circ}\text{C}$, unless otherwise specified)						
PARAMETER	TEST CONDITION	SYMBOL	MIN.	TYP.	MAX.	UNIT
INPUT						
Input forward voltage	$I_F = 10\text{ mA}$	V_F	1.1	1.4	1.7	V
Reverse current	$V_R = 5\text{ V}$	I_R	-	0.01	10	μA
Input capacitance	$f = 1\text{ MHz}, V_F = 0\text{ V}$	C_I	-	55	-	pF
OUTPUT						
High level supply current (single channel)	$V_E = 0.5\text{ V}, I_F = 0\text{ mA}$	I_{CCH}	-	4.1	7	mA
	$V_E = V_{CC}, I_F = 0\text{ mA}$	I_{CCH}	-	3.3	6	mA
High level supply current (dual channel)	$I_F = 10\text{ mA}$	I_{CCH}	-	6.5	12	mA
Low level supply current (single channel)	$V_E = 0.5\text{ V}, I_F = 10\text{ mA}$	I_{CCL}	-	4	7	mA
	$V_E = V_{CC}, I_F = 10\text{ mA}$	I_{CCL}	-	3.3	6	mA
Low level supply current (dual channel)	$I_F = 10\text{ mA}$	I_{CCL}	-	6.5	12	mA
High level output current	$V_E = 2\text{ V}, V_O = 5.5\text{ V}, I_F = 250\text{ }\mu\text{A}$	I_{OH}	-	0.002	1	μA
Low level output voltage	$V_E = 2\text{ V}, I_F = 5\text{ mA}, I_{OL}(\text{sinking}) = 13\text{ mA}$	V_{OL}	-	0.2	0.6	V
Input threshold current	$V_E = 2\text{ V}, V_O = 5.5\text{ V}, I_{OL}(\text{sinking}) = 13\text{ mA}$	I_{TH}	-	2.4	5	mA
High level enable current		I_{EH}	-	- 0.6	- 1.6	mA
Low level enable current		I_{EL}	-	- 0.8	- 1.6	mA
High level enable voltage		V_{EH}	2	-	-	V
Low level enable voltage		V_{EL}	-	-	0.8	V

Note

- Minimum and maximum values are testing requirements. Typical values are characteristics of the device and are the result of engineering evaluation. Typical values are for information only and are not part of the testing requirements.

SWITCHING CHARACTERISTICS						
PARAMETER	TEST CONDITION	SYMBOL	MIN.	TYP.	MAX.	UNIT
Propagation delay time to high output level	$R_L = 350\text{ }\Omega, C_L = 15\text{ pF}$	t_{PLH}	20	48	100	ns
Propagation delay time to low output level	$R_L = 350\text{ }\Omega, C_L = 15\text{ pF}$	t_{PHL}	25	50	100	ns
Pulse width distortion	$R_L = 350\text{ }\Omega, C_L = 15\text{ pF}$	$ t_{PHL} - t_{PLH} $	-	2.9	35	ns
Propagation delay skew	$R_L = 350\text{ }\Omega, C_L = 15\text{ pF}$	t_{PSK}	-	8	40	ns
Output rise time (10 to 90 %)	$R_L = 350\text{ }\Omega, C_L = 15\text{ pF}$	t_r	-	23	-	ns
Output fall time (90 to 10 %)	$R_L = 350\text{ }\Omega, C_L = 15\text{ pF}$	t_f	-	7	-	ns
Propagation delay time of enable from V_{EH} to V_{EL}	$R_L = 350\text{ }\Omega, C_L = 15\text{ pF}, V_{EL} = 0\text{ V}, V_{EH} = 3\text{ V}$	t_{ELH}	-	12	-	ns
Propagation delay time of enable from V_{EL} to V_{EH}	$R_L = 350\text{ }\Omega, C_L = 15\text{ pF}, V_{EL} = 0\text{ V}, V_{EH} = 3\text{ V}$	t_{EHL}	-	11	-	ns

Note

- Over recommended temperature ($T_A = -40\text{ }^{\circ}\text{C}$ to $+100\text{ }^{\circ}\text{C}$), $V_{CC} = 5\text{ V}, I_F = 7.5\text{ mA}$ unless otherwise specified. All typicals at $T_A = 25\text{ }^{\circ}\text{C}, V_{CC} = 5\text{ V}$.

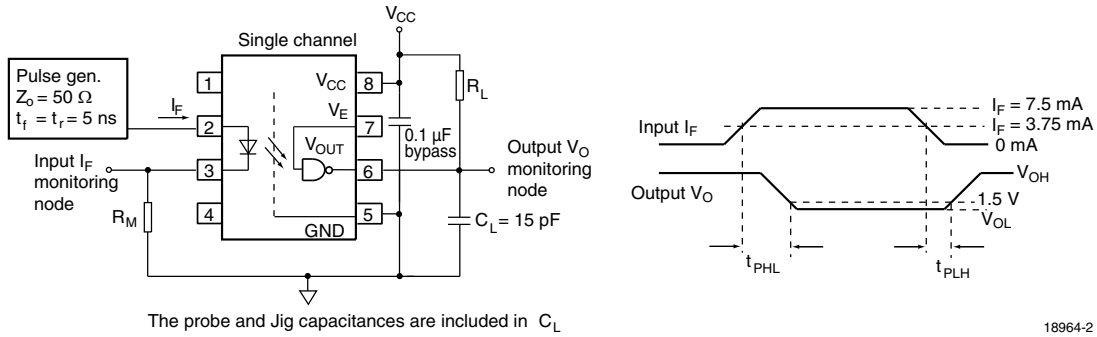


Fig. 1 - Single Channel Test Circuit for t_{PLH} , t_{PHL} , t_r and t_f

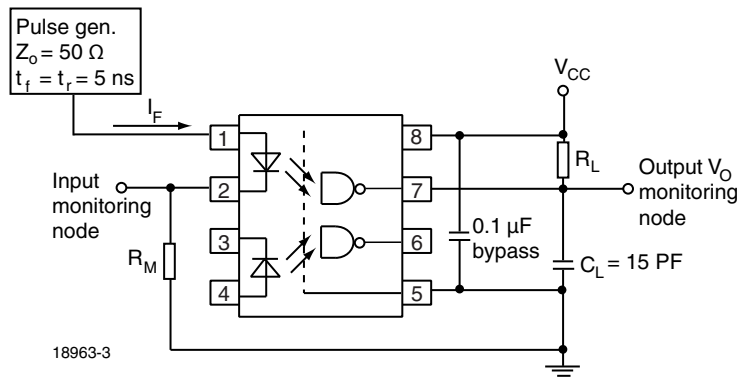


Fig. 2 - Dual Channel Test Circuit for t_{PLH} , t_{PHL} , t_r and t_f

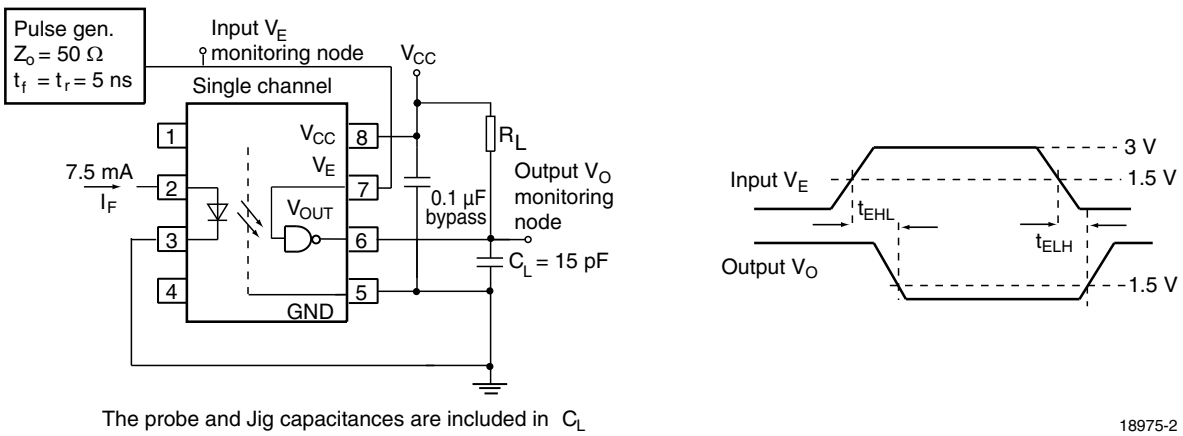


Fig. 3 - Single Channel Test Circuit for t_{EHL} , t_{ELH}

COMMON MODE TRANSIENT IMMUNITY						
PARAMETER	TEST CONDITION	SYMBOL	MIN.	TYP.	MAX.	UNIT
Common mode transient immunity (high)	$ V_{CM} = 10\text{ V}, V_{CC} = 5\text{ V}, I_F = 0\text{ mA}, V_{O(\min)} = 2\text{ V}, R_L = 350\ \Omega, T_{\text{amb}} = 25\text{ }^\circ\text{C}^{(1)}$	$ CM_H $	1000			V/ μ s
	$ V_{CM} = 50\text{ V}, V_{CC} = 5\text{ V}, I_F = 0\text{ mA}, V_{O(\min)} = 2\text{ V}, R_L = 350\ \Omega, T_{\text{amb}} = 25\text{ }^\circ\text{C}^{(2)}$	$ CM_H $	5000	10 000		V/ μ s
	$ V_{CM} = 1\text{ kV}, V_{CC} = 5\text{ V}, I_F = 0\text{ mA}, V_{O(\min)} = 2\text{ V}, R_L = 350\ \Omega, T_{\text{amb}} = 25\text{ }^\circ\text{C}^{(3)}$	$ CM_H $	15 000	25 000		V/ μ s
Common mode transient immunity (low)	$ V_{CM} = 10\text{ V}, V_{CC} = 5\text{ V}, I_F = 7.5\text{ mA}, V_{O(\max)} = 0.8\text{ V}, R_L = 350\ \Omega, T_{\text{amb}} = 25\text{ }^\circ\text{C}^{(1)}$	$ CM_L $	1000			V/ μ s
	$ V_{CM} = 50\text{ V}, V_{CC} = 5\text{ V}, I_F = 7.5\text{ mA}, V_{O(\max)} = 0.8\text{ V}, R_L = 350\ \Omega, T_{\text{amb}} = 25\text{ }^\circ\text{C}^{(2)}$	$ CM_L $	5000	10 000		V/ μ s
	$ V_{CM} = 1\text{ kV}, V_{CC} = 5\text{ V}, I_F = 7.5\text{ mA}, V_{O(\max)} = 0.8\text{ V}, R_L = 350\ \Omega, T_{\text{amb}} = 25\text{ }^\circ\text{C}^{(3)}$	$ CM_L $	15 000	25 000		V/ μ s

Notes

- (1) For VO0600T and VO0630T
- (2) For VO0601T and VO0631T
- (3) For VO0611T and VO0661T

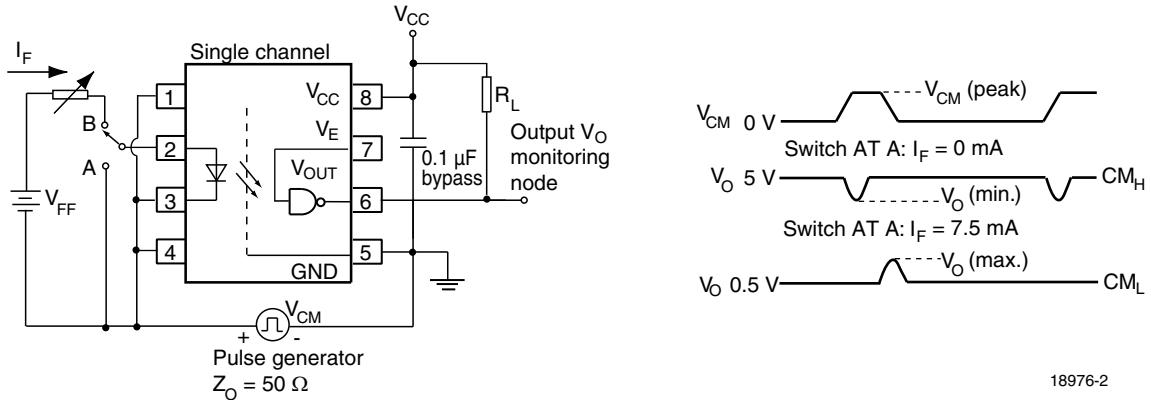


Fig. 4 - Single Channel Test Circuit for Common Mode Transient Immunity

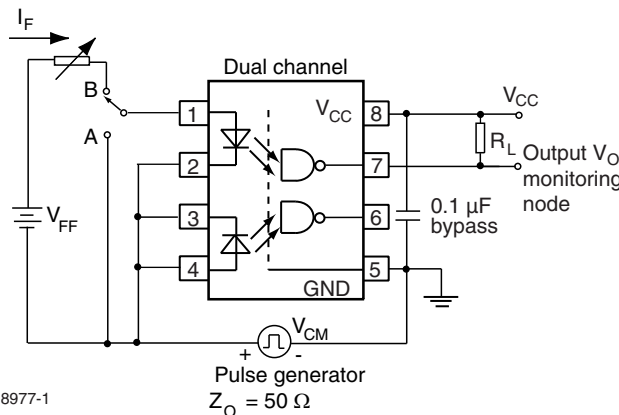


Fig. 5 - Dual Channel Test Circuit for Common Mode Transient Immunity



SAFETY AND INSULATION RATINGS						
PARAMETER	TEST CONDITION	SYMBOL	MIN.	TYP.	MAX.	UNIT
Climatic classification	According to IEC 68 part 1		-	55 / 100 / 21	-	
Comparative tracking index		CTI	175	-	399	
V_{IOTM}			6000	-	-	V
V_{IORM}			560	-	-	V
P_{SO}			-	-	350	mW
I_{SI}			-	-	150	mA
T_{SI}			-	-	165	°C
Creepage			4	-	-	mm
Clearance			4	-	-	mm
Insulation thickness			0.2	-	-	mm

Note

- As per IEC 60747-5-5, 7.4.3.8.1, this optocoupler is suitable for “safe electrical insulation” only within the safety ratings. Compliance with the safety ratings shall be ensured by means of protective circuits.

TYPICAL CHARACTERISTICS ($T_{amb} = 25\text{ °C}$, unless otherwise specified)

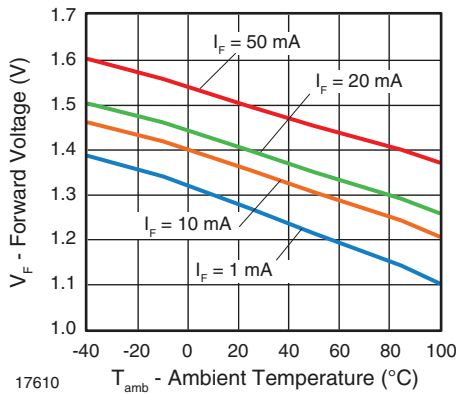


Fig. 6 - Forward Voltage vs. Ambient Temperature

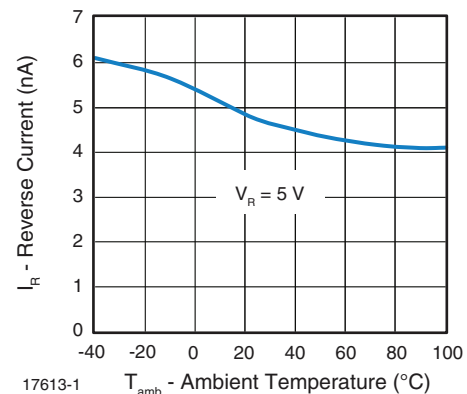


Fig. 8 - Reverse Current vs. Ambient Temperature

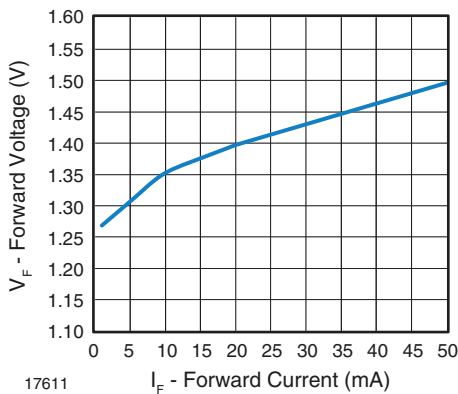


Fig. 7 - Forward Voltage vs. Forward Current

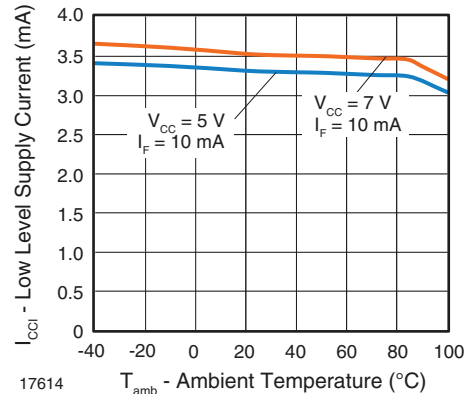


Fig. 9 - Low Level Supply Current vs. Ambient Temperature

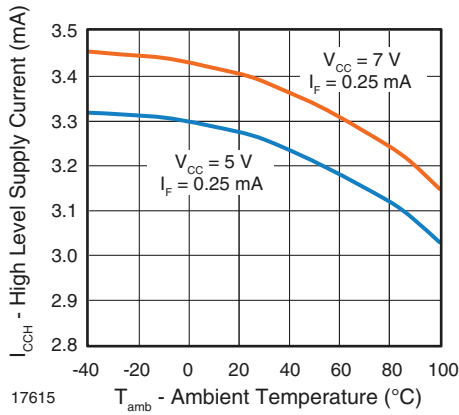


Fig. 10 - High Level Supply Current vs. Ambient Temperature

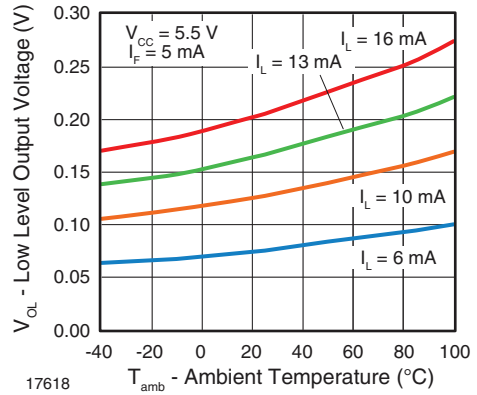


Fig. 13 - Low Level Output Voltage vs. Ambient Temperature

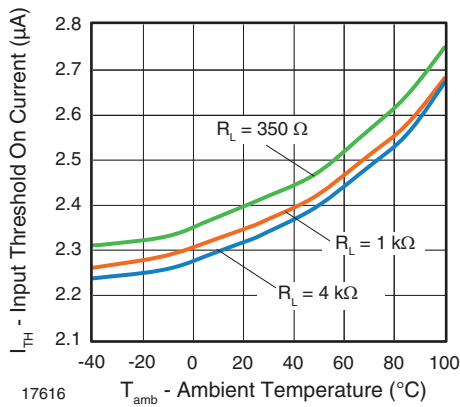


Fig. 11 - Input Threshold On Current vs. Ambient Temperature

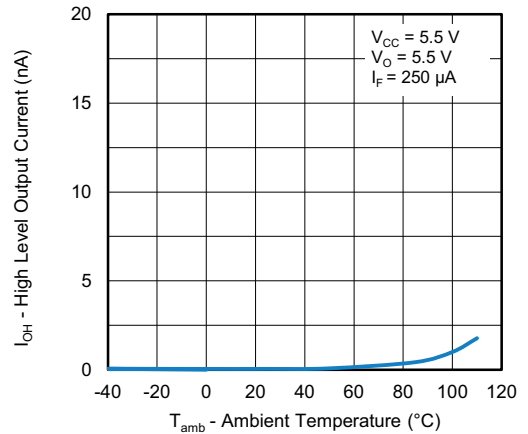


Fig. 14 - Low Level Output Current vs. Ambient Temperature

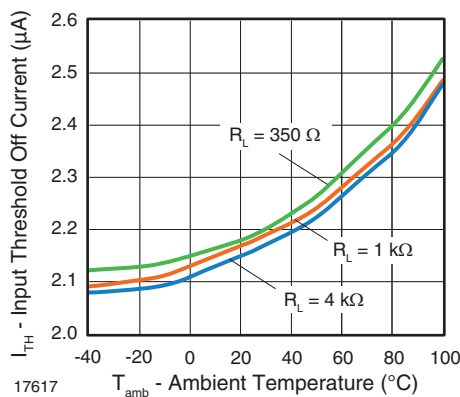


Fig. 12 - Input Threshold Off Current vs. Ambient Temperature

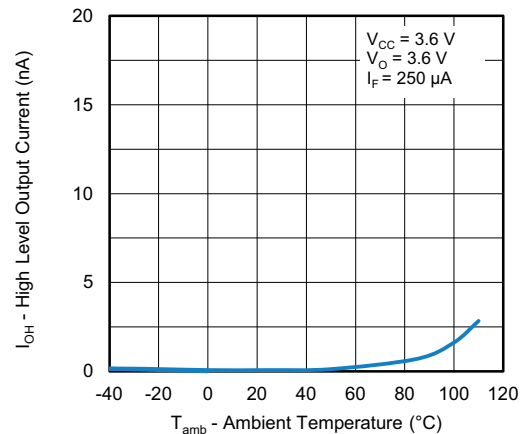


Fig. 15 - High Level Output Current vs. Ambient Temperature

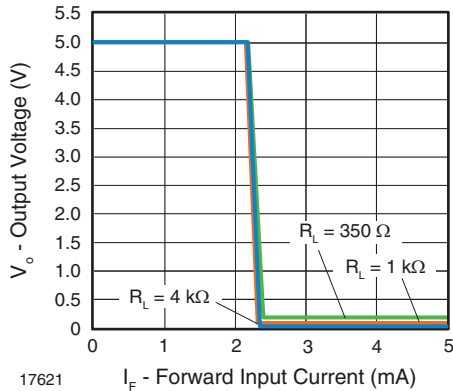


Fig. 16 - Output Voltage vs. Forward Input Current

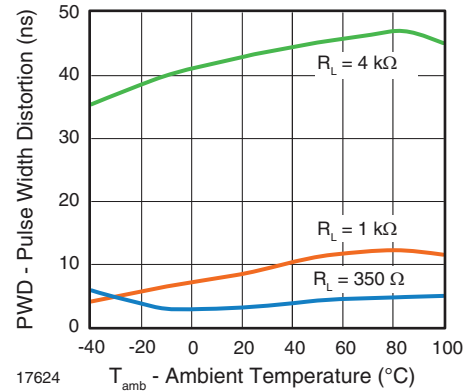


Fig. 19 - Pulse Width Distortion vs. Ambient Temperature

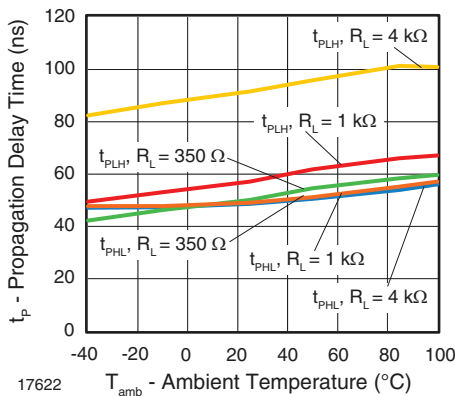


Fig. 17 - Propagation Delay vs. Ambient Temperature

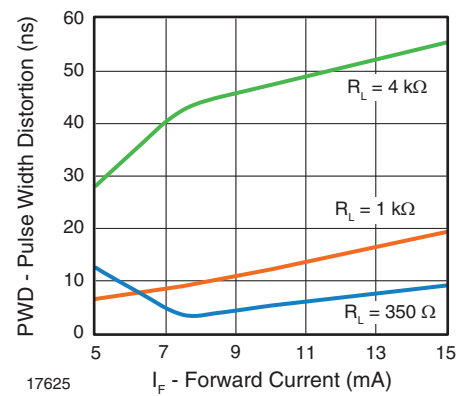


Fig. 20 - Pulse Width Distortion vs. Forward Current

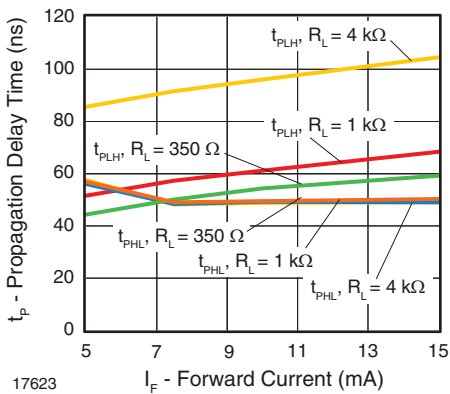


Fig. 18 - Propagation Delay vs. Forward Current

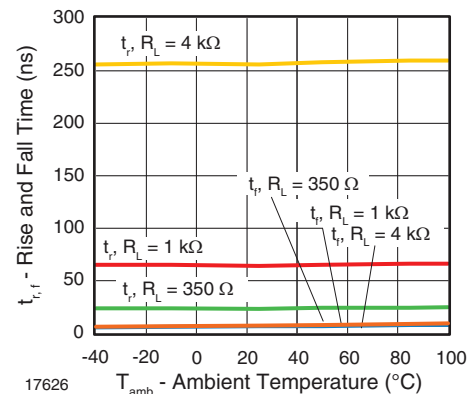


Fig. 21 - Rise and Fall Time vs. Ambient Temperature

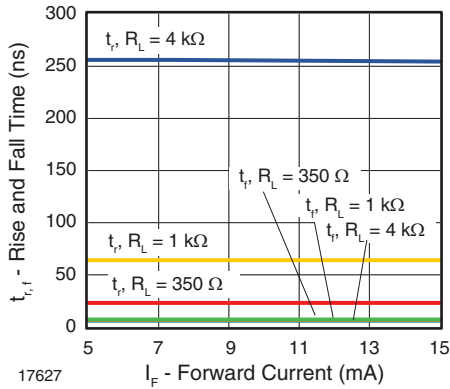


Fig. 22 - Rise and Fall Time vs. Forward Current

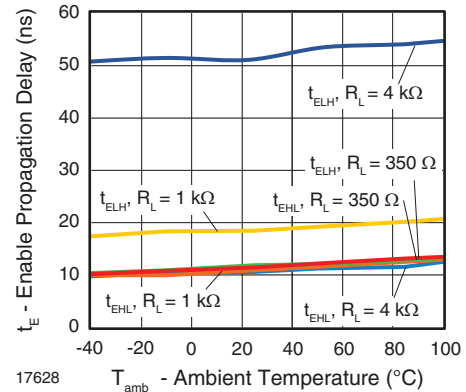
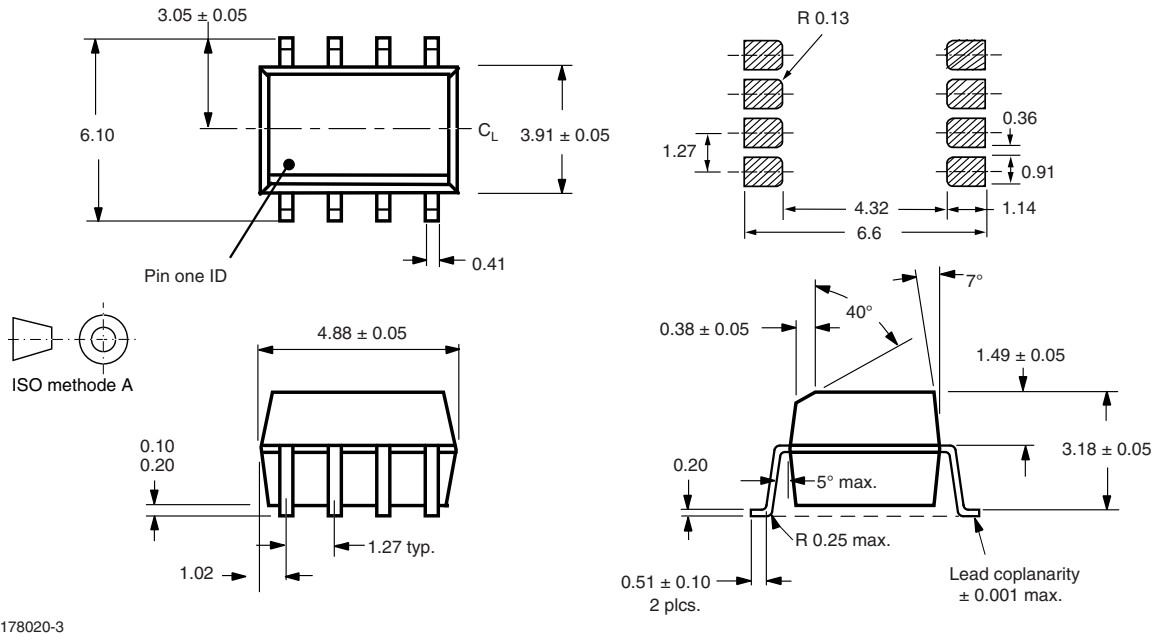


Fig. 23 - Enable Propagation Delay vs. Ambient Temperature

PACKAGE DIMENSIONS (in millimeters)



i178020-3

PACKAGE MARKING (example)

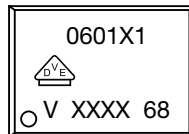


Fig. 24 - Example of VO0601-X001T

Notes

- XXXX = LMC (lot marking code)
- The VDE Logo is only marked on option1 parts
- Tape and reel suffix (T) is not part of the package marking

ESD CAUTION

This is an ESD (electro static discharge) sensitive device. Electrostatic charges accumulate on the human body and test equipment and can discharge without detection. Therefore, proper ESD precautions are recommended to avoid performance degradation or loss of functionality. ESD withstand voltage of this device is up to 1500 V acc. to JESD22-A114-B.



Disclaimer

ALL PRODUCT, PRODUCT SPECIFICATIONS AND DATA ARE SUBJECT TO CHANGE WITHOUT NOTICE TO IMPROVE RELIABILITY, FUNCTION OR DESIGN OR OTHERWISE.

Vishay Intertechnology, Inc., its affiliates, agents, and employees, and all persons acting on its or their behalf (collectively, "Vishay"), disclaim any and all liability for any errors, inaccuracies or incompleteness contained in any datasheet or in any other disclosure relating to any product.

Vishay makes no warranty, representation or guarantee regarding the suitability of the products for any particular purpose or the continuing production of any product. To the maximum extent permitted by applicable law, Vishay disclaims (i) any and all liability arising out of the application or use of any product, (ii) any and all liability, including without limitation special, consequential or incidental damages, and (iii) any and all implied warranties, including warranties of fitness for particular purpose, non-infringement and merchantability.

Statements regarding the suitability of products for certain types of applications are based on Vishay's knowledge of typical requirements that are often placed on Vishay products in generic applications. Such statements are not binding statements about the suitability of products for a particular application. It is the customer's responsibility to validate that a particular product with the properties described in the product specification is suitable for use in a particular application. Parameters provided in datasheets and / or specifications may vary in different applications and performance may vary over time. All operating parameters, including typical parameters, must be validated for each customer application by the customer's technical experts. Product specifications do not expand or otherwise modify Vishay's terms and conditions of purchase, including but not limited to the warranty expressed therein.

Hyperlinks included in this datasheet may direct users to third-party websites. These links are provided as a convenience and for informational purposes only. Inclusion of these hyperlinks does not constitute an endorsement or an approval by Vishay of any of the products, services or opinions of the corporation, organization or individual associated with the third-party website. Vishay disclaims any and all liability and bears no responsibility for the accuracy, legality or content of the third-party website or for that of subsequent links.

Except as expressly indicated in writing, Vishay products are not designed for use in medical, life-saving, or life-sustaining applications or for any other application in which the failure of the Vishay product could result in personal injury or death. Customers using or selling Vishay products not expressly indicated for use in such applications do so at their own risk. Please contact authorized Vishay personnel to obtain written terms and conditions regarding products designed for such applications.

No license, express or implied, by estoppel or otherwise, to any intellectual property rights is granted by this document or by any conduct of Vishay. Product names and markings noted herein may be trademarks of their respective owners.