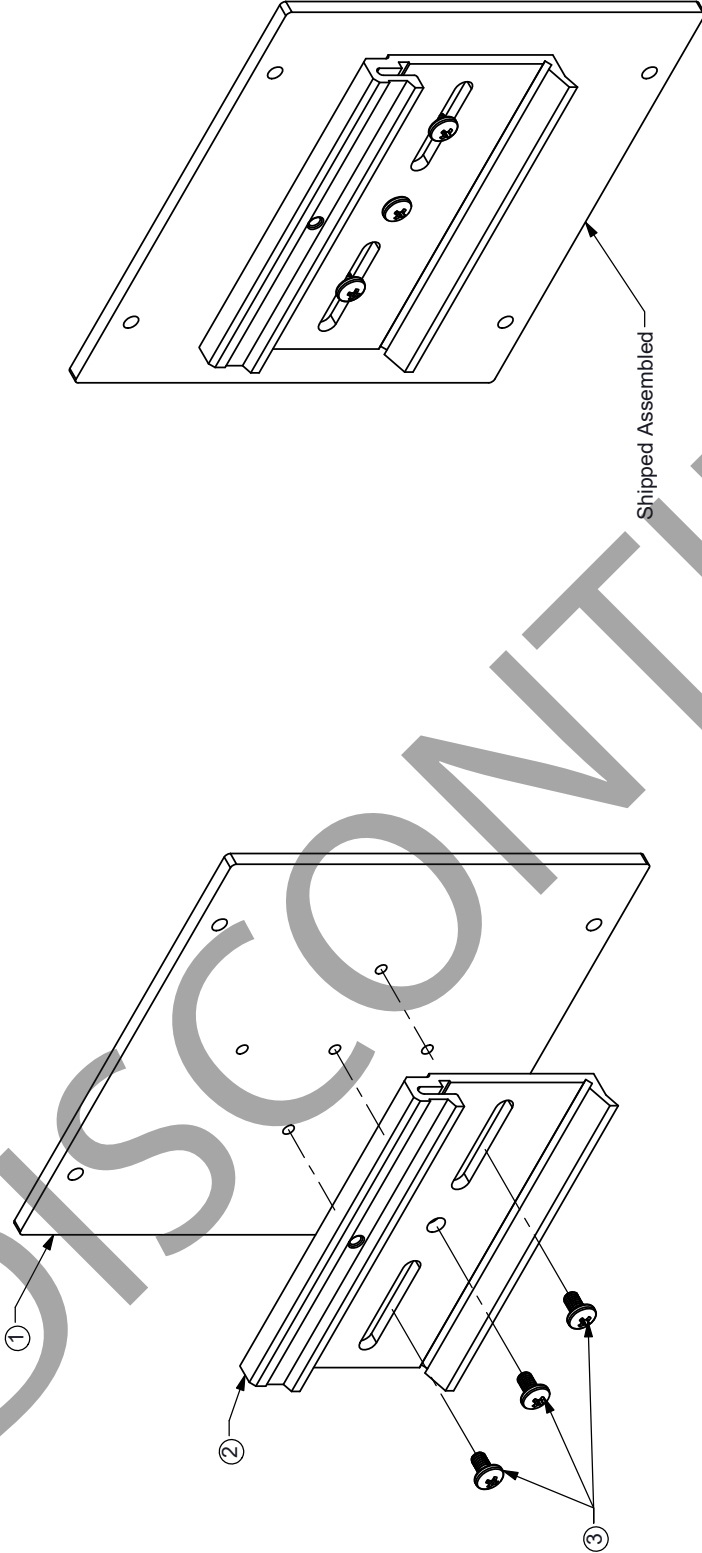


REV.	DESCRIPTION	DATE
A	NEW DRAWING	5/20/2013



EXPLODED VIEW

ASSEMBLY VIEW

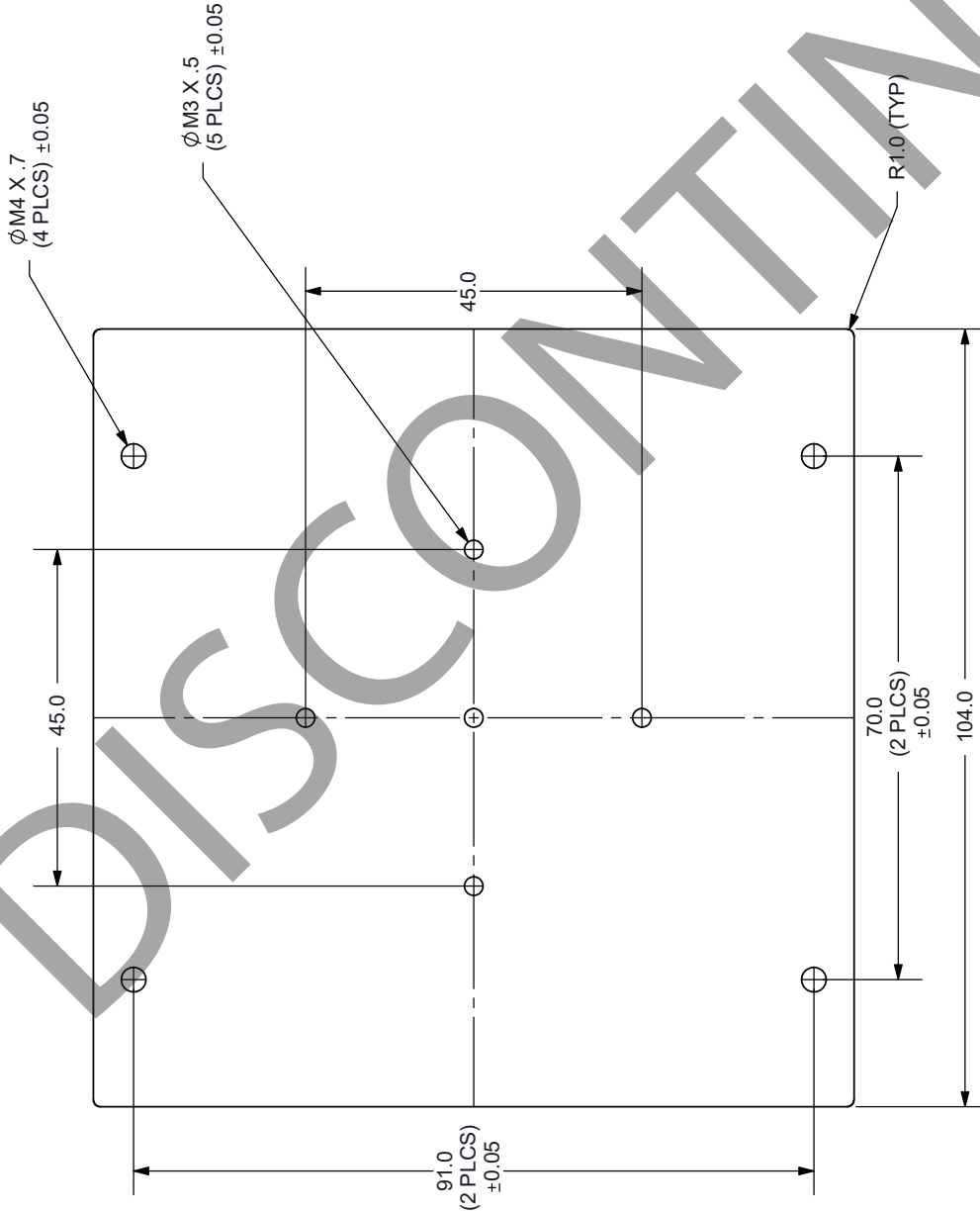
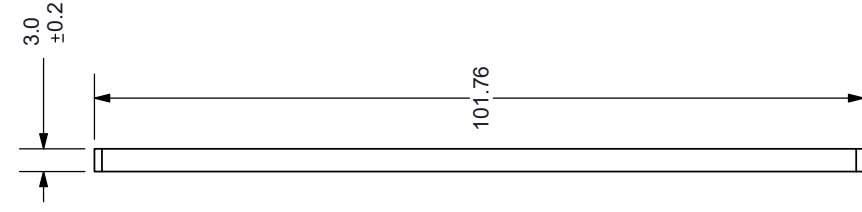


20050 SW 112th Ave.  
Tualatin, OR 97062  
Phone: 503-612-2300  
800-275-4899  
Fax: 503-612-2383  
Website: www.cui.com

ITEM	DESCRIPTION	QUANTITY	REV:
1	VHK-DRA	1	A
2	VDRP-02	1	
3	M3X6 SCREWS	3	
4	M4X5 SCREWS	4	

TITLE:	DIN RAIL MOUNTING BRACKET KIT
PART NO:	VHK-DIN
UNITS:	MM
DRAWN BY:	RDS
APPROVED BY:	
SCALE:	1:2

REV.	DESCRIPTION	DATE
A	NEW DRAWING	5/20/2013



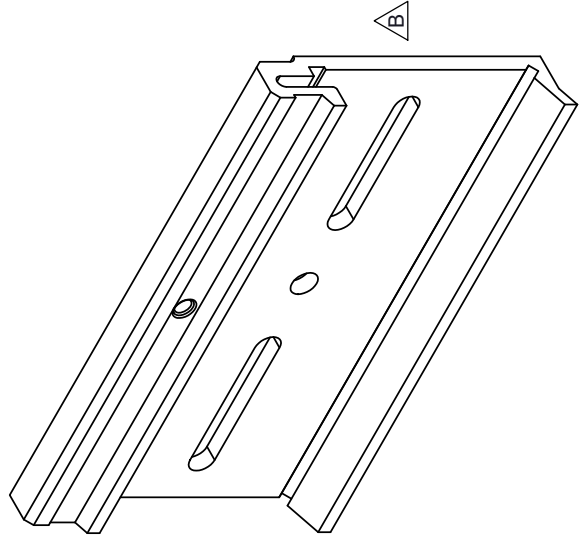
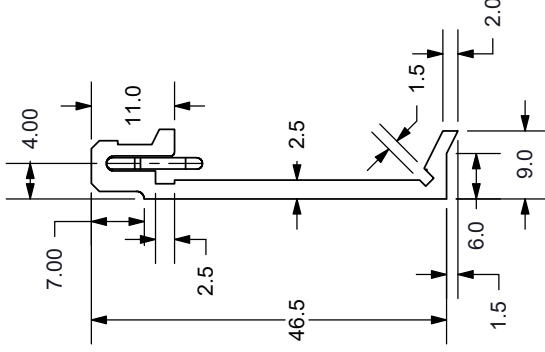
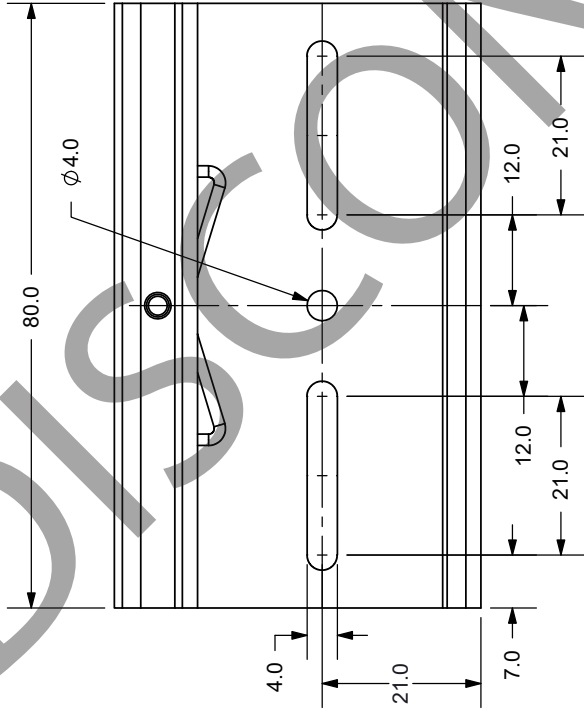
TOLERANCE:  
±0.2mm UNLESS OTHERWISE  
SPECIFIED



20050 SW 112th Ave.  
Tualatin, OR 97062  
Phone: 503-612-2300  
800-275-4899  
Fax: 503-612-2383  
Website: www.cui.com

TITLE: MOUNTING PLATE	REV: A
PART NO: VHK-DRA	UNITS: MM
DRAWN BY: RDS	APPROVED BY:
	SCALE:

REV.	DESCRIPTION	DATE
A	NEW DRAWING	8/30/2008
B	updated drawing	5/20/2013



TOLERANCE:  
±0.3mm UNLESS OTHERWISE  
SPECIFIED

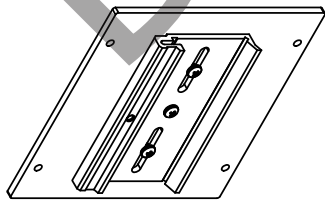
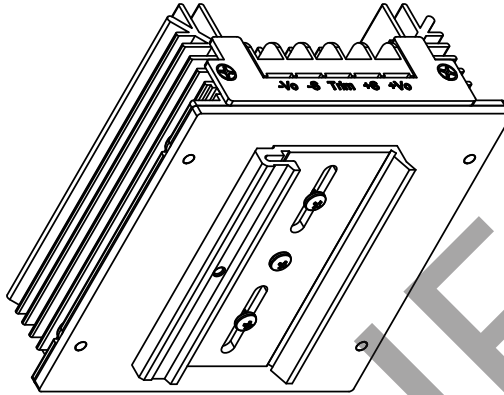
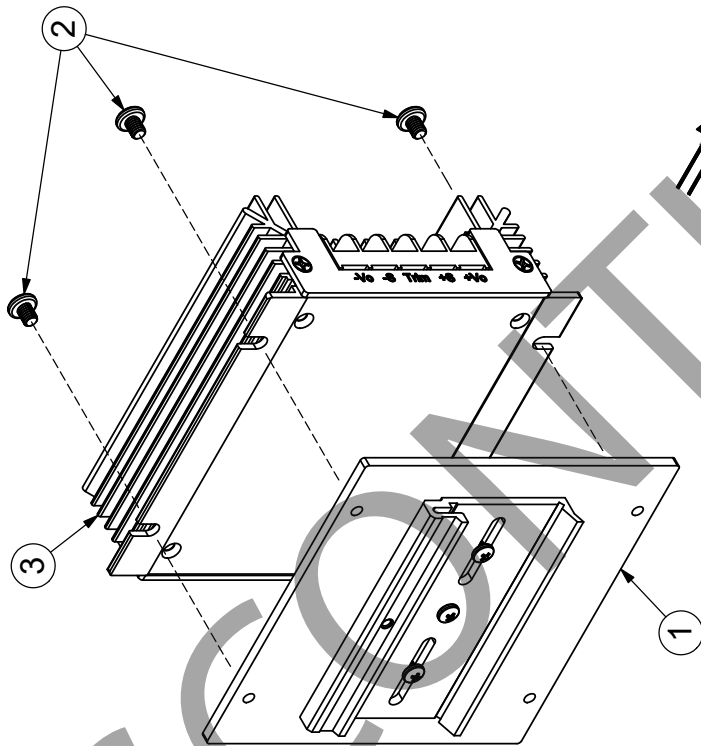
MATERIAL: ALUMINUM



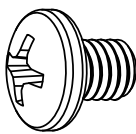
20050 SW 112th Ave.  
Tualatin, OR 97062  
Phone: 503-612-2300  
800-275-4899  
Fax: 503-612-2383  
Website: www.cui.com

TITLE: DIN RAIL MOUNTING BRACKET	REV: B
PART NO: VDRP-02	UNITS: MM
DRAWN BY: RDS	APPROVED BY:
	SCALE:

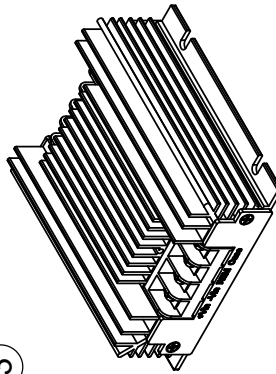
REV.	DESCRIPTION	DATE
A	NEW DRAWING	8/28/2008
B	updated drawing	5/20/2013



1  
SUB-ASSEMBLY  
(See page 1)  
QTY: 1



2  
M4X0.5  
5mm length  
LOOSE SCREWS  
(See page 1)  
QTY: 4



3  
VHK CHASSIS  
MOUNT DC-DC  
CONVERTER  
QTY: 1  
(sold separately)

TITLE:	DIN RAIL MOUNTING BRACKET ASSEMBLY INSTRUCTIONS	REV:	B
PART NO.	VHK-DIN assembly	UNITS:	MM
DRAWN BY:	RDS	APPROVED BY:	
		SCALE:	1:2

