

SERIES: VGS-600 | **DESCRIPTION:** INTERNAL AC-DC POWER SUPPLY

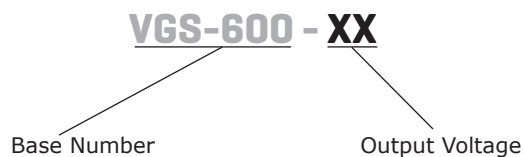
FEATURES

- UL/EN 62368 certified
- active PFC
- temperature range -40°C to +70°C
- isolation up to 4000 Vac
- operating altitude up to 5000 m
- remote on/off
- short-circuit, over-current, over-voltage & over-temperature protection
- AC or DC input
- internal fan cooling
- PCB conformal coating
- 5 V, 1 A standby supply
- remote output voltage sensing



MODEL	output voltage		output current	output power	ripple and noise ¹	efficiency ²
	(Vdc)	range (Vdc)	max (A)	max (W)	typ (mVp-p)	typ (%)
VGS-600-12	12	11.8 ~ 12.6	50.0	600	150	92
VGS-600-15	15	14.7 ~ 15.8	40.0	600	150	92
VGS-600-24	24	23.5 ~ 25.2	25.0	600	200	94
VGS-600-27	27	26.4 ~ 28.4	22.3	600	200	94
VGS-600-36	36	35.3 ~ 37.8	16.7	600	300	94
VGS-600-48	48	47.0 ~ 50.4	12.6	600	300	94

Notes: 1. Ripple & noise are measured at 20 MHz BW with 47 µF aluminum electrolytic capacitor and 0.1 µF ceramic capacitor on the output.
 2. Measured at 230 Vac

PART NUMBER KEY


INPUT

parameter	conditions/description	min	typ	max	units
voltage	ac input	80		277	Vac
	dc input	110		390	Vdc
frequency		47		63	Hz
current	at 115 Vac			7.5	A
	at 230 Vac			3.5	A
inrush current	at 230 Vac, cold start		40		A
leakage current	at 240 Vac			0.1	mA
no load power consumption	at 230 Vac, 25°C, on/off add +5V signal		0.5		W
power factor	at 115 Vac, full load		0.98		
	at 230 Vac, full load		0.95		

OUTPUT

parameter	conditions/description	min	typ	max	units
capacitive load	12 Vdc & 15 Vdc output			6,000	μF
	24 Vdc & 27 Vdc output			4,000	μF
	36 Vdc output			2,400	μF
	48 Vdc output			1,600	μF
total regulation	+5 VSB output, standby, full load		±2		%
	all other outputs, full load		±1		%
line regulation	+5 VSB output, standby, rated load		±0.5		%
	all other outputs, rated load		±0.3		%
load regulation	+5 VSB output, standby, 0%~100% load		±2		%
	all other outputs, 0%~100% load		±0.5		%
hold-up time	at 230 Vac	15			ms

PROTECTIONS

parameter	conditions/description	min	typ	max	units
over voltage protection	12 Vdc output, latching			16	Vdc
	15 Vdc output, latching			20	Vdc
	24 Vdc output, latching			32	Vdc
	27 Vdc output, latching			35	Vdc
	36 Vdc output, latching			47	Vdc
	48 Vdc output, latching			60	Vdc
over current protection	auto-recovery	110		160	%
short circuit protection	hiccup, continuous, auto-recovery in < 3 s after short removed				
over temperature protection	output turns off and self recovers after temperature drops				

SAFETY & COMPLIANCE

parameter	conditions/description	min	typ	max	units
isolation voltage	input to ground for 1 minute, 5 mA max	1,500			Vac
	input to output for 1 minute, 5 mA max	4,000			Vac
	output to ground for 1 minute, 5 mA max	1,500			Vac
insulation resistance	input to ground, 500 Vdc	50			MΩ
	input to output, 500 Vdc	50			MΩ
	output to ground, 500 Vdc	50			MΩ
safety approvals	certified to 62368: IEC/EN/UL designed to meet 61558: EN designed to meet 60335: EN				
safety class	Class I				
conducted emissions	CISPR32/EN55032 CLASS B				
radiated emissions	CISPR32/EN55032 CLASS B				
harmonic flicker	IEC/EN61000-3-2 CLASS A and CLASS D				

SAFETY & COMPLIANCE

voltage flicker	IEC/EN61000-3-3				
parameter	conditions/description	min	typ	max	units
ESD	IEC/EN 61000-4-2 Contact ±8KV/Air ±15KV, perf. Criteria A				
radiated immunity	IEC/EN 61000-4-3 10V/m, perf. Criteria A				
EFT/burst	IEC/EN 61000-4-4 ±4KV, perf. Criteria A				
surge	IEC/EN 61000-4-5 line to line ±2KV/line to ground ±4KV, perf. Criteria A				
conducted immunity	IEC/EN61000-4-6 10 Vr.m.s, perf. Criteria A				
voltage dips and interruptions	IEC/EN61000-4-11 0%, 70%, perf. Criteria B				
MTBF	as per MIL-HDBK-217F at 25°C	300,000			hours
RoHS	yes				

ENVIRONMENTAL

parameter	conditions/description	min	typ	max	units
operating temperature		-40		70	°C
storage temperature		-40		85	°C
operating humidity	non-condensing	20		95	%
storage humidity	non-condensing	10		95	%
power derating	operating temperature derating	50°C ~ 70°C	2.5		%/°C
	input voltage derating	80 Vac ~ 85 Vac 85 Vac ~ 100 Vac	2.0 1.33		%/Vac

MECHANICAL

parameter	conditions/description	min	typ	max	units
dimensions	101.6 x 203.1 x 40.6				mm
weight			1,000		g
cooling	forced air cooling				
case material	metal (AL1100, SGCC)				

MECHANICAL DRAWING

units: mm [inch]

adj: output adjustable resistor

input connector wire range: 22 ~ 14 awg

input connector tightening torque: M4, 1.2 N·m (max)

output connector (-V0/+V0) tightening torque: M5, 2.4 N·m (max)

tolerance: ±1.0 [±0.039]

PIN CONNECTIONS	
PIN	Function
1	
2	AC (L)
3	AC (N)
4	+Vo
5	-Vo

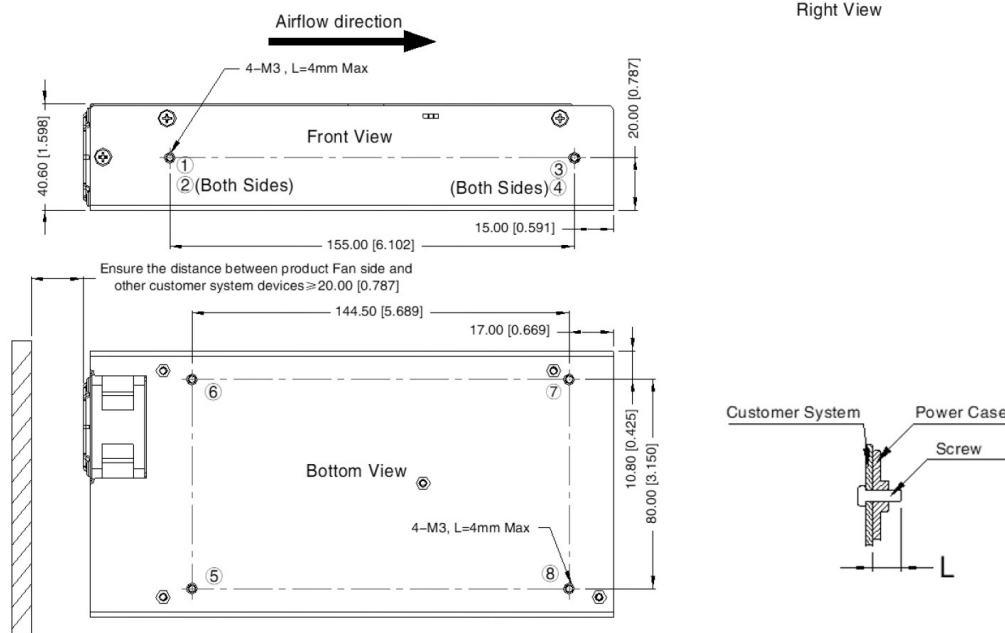
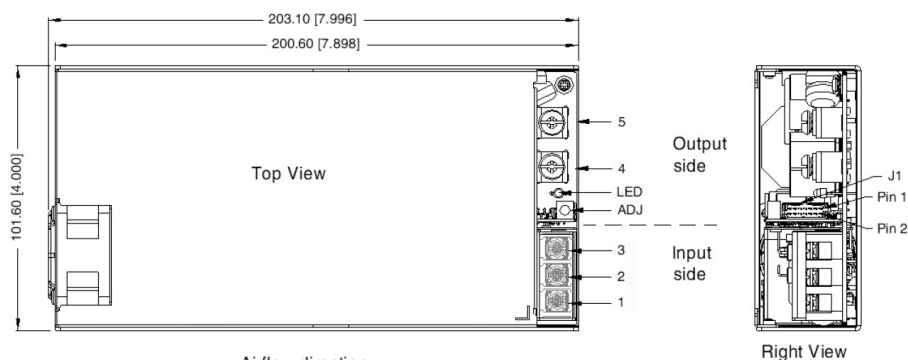


Figure	Output connector J1					
	PIN	Function	PIN	Function	Customer connector	
	1	-S	2	+S	MOLEX PN: 51110-1450 (without locking ramp) or 5110-1451 (with locking ramp) or equivalent	
	3	NC	4	NC		
	5	DC_OK-	6	DC_OK+		
	7	+5VSB	8	5VSB_RTN		
	9	RC+	10	RC-		
	11	+5VSB	12	+5VSB		
	13	5VSB_RTN	14	5VSB_RTN		

Position	Screw spec.	L (max)	Torque (max)
① - ⑧	M3	4 mm	0.4 N·m

Note: At least one hole position, ①~⑧, must be securely connected to Protective Earth (PE) ⊕

TYPICAL APPLICATION

REMOTE ON/OFF

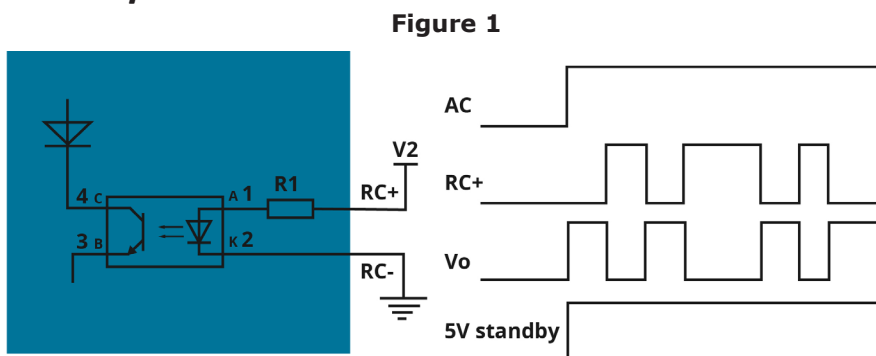


Figure 1

Table 1

R1 (Product inside)	$2K\Omega, \frac{1}{12}W$
V2 (User side)	5V ~ 15V

1. When the product is working normally, apply voltage (5-15V) to RC+ and RC- to trigger the remote ON/OFF function, and the output voltage will be off. Withdraw the voltage, the output voltage will be re-established.
2. 5V standby power supply is not controlled by remote ON/OFF function.

DC_OK

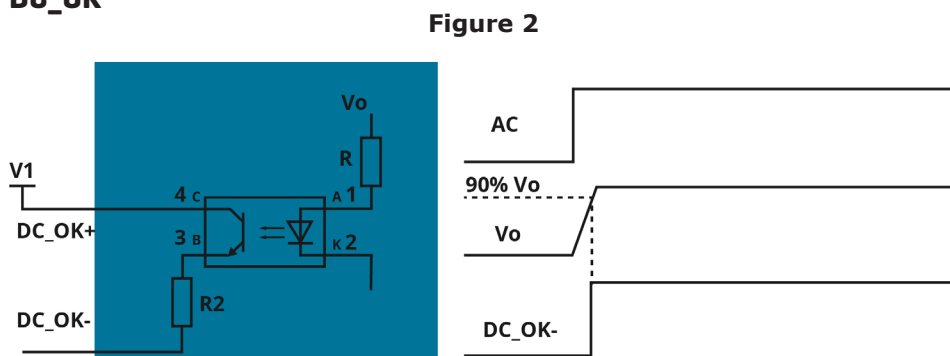


Figure 2

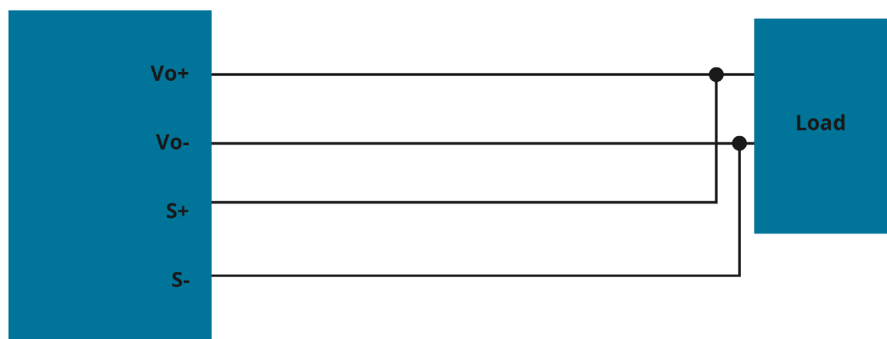
Table 2

R2 (Product inside)	$1K\Omega, \frac{1}{12}W$
V1 (User side)	5V ~ 15V

1. When the output voltage of the product reaches 90% of the rated value, DC_OK+ will be connected to DC_OK-.
2. It is recommended that users apply a certain voltage between DC_OK+ and DC_OK- to detect the signal.

REMOTE SENSE COMPENSATION

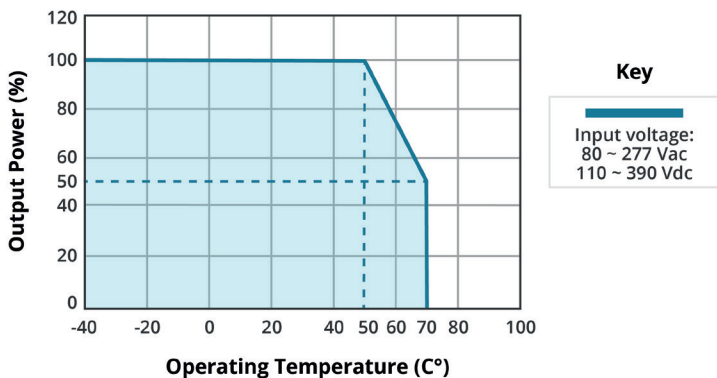
Figure 3



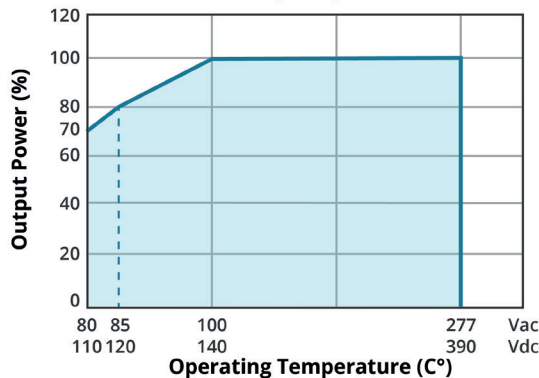
1. The left side represents the internal schematic diagram of the product, the right side represents the customer system.
2. Twisted pair wires are needed for S+/S-.

DERATING CURVE

TEMPERATURE DERATING CURVE

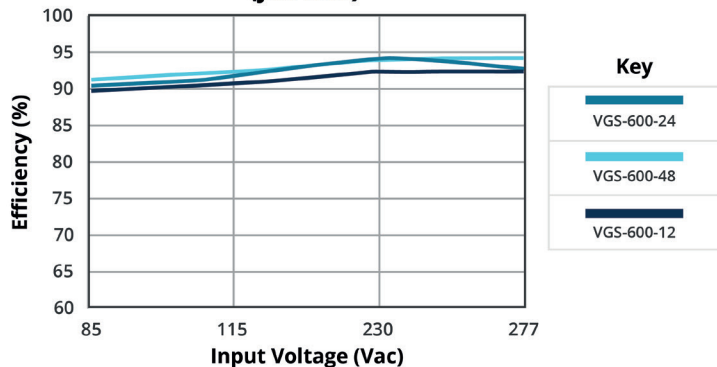


INPUT VOLTAGE DERATING CURVE (25°C)

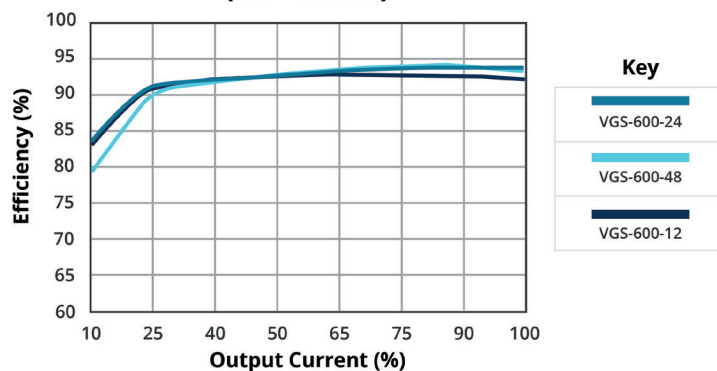


EFFICIENCY CURVES

EFFICIENCY VS INPUT VOLTAGE (full load)



EFFICIENCY VS OUTPUT LOAD (Vin = 230 Vac)



- Notes:
3. The room temperature derating of 5°C/1000m is needed for operating altitude greater than 2000m.
 4. In order to improve the efficiency at high input voltage, there will be audible noise generated, but it does not affect product performance and reliability.
 5. The out case needs to be connected to PE (⊕) of system when the terminal equipment in operating.
 6. CAUTION: Double pole, neutral fusing. Disconnect mains before servicing.
ATTENTION: Double pôle/fusible sur le neutre. Débrancher l'alimentation avant l'entretien.

REVISION HISTORY

rev.	description	date
1.0	initial release	09/09/2022

The revision history provided is for informational purposes only and is believed to be accurate.



Headquarters
20050 SW 112th Ave.
Tualatin, OR 97062
800.275.4899

Fax 503.612.2383
cui.com
techsupport@cui.com

CUI offers a two (2) year limited warranty. Complete warranty information is listed on our website.

CUI reserves the right to make changes to the product at any time without notice. Information provided by CUI is believed to be accurate and reliable. However, no responsibility is assumed by CUI for its use, nor for any infringements of patents or other rights of third parties which may result from its use.

CUI products are not authorized or warranted for use as critical components in equipment that requires an extremely high level of reliability. A critical component is any component of a life support device or system whose failure to perform can be reasonably expected to cause the failure of the life support device or system, or to affect its safety or effectiveness.