

## Evaluating the $\pm 2 g$ , Dual Axis, PWM Output Accelerometer

### GENERAL DESCRIPTION

The [EVAL-ADXL212Z](#) is a simple evaluation board that allows quick evaluation of the performance of the [ADXL212](#) dual axis  $\pm 2 g$  accelerometer with PWM outputs. The user needs to add only three additional through-hole passive components, depending on the bandwidth required in the application. The [EVAL-ADXL212Z](#) has a 5-pin, 0.1 inch-spaced header for access to all power and signal lines that the user can attach to a prototyping board (breadboard) or wire using a standard plug. Two holes are provided for mechanical attachment of the [EVAL-ADXL212Z](#) to the application.

### CIRCUIT DESCRIPTION

The schematic and parts list of the [EVAL-ADXL212Z](#) are shown in Figure 1 and Table 1, respectively. The minimal application circuit requires at least one resistor ( $R_{SET}$ ) added to the board to set the PWM period ( $T_2$ ). Analog bandwidth can be set by adding Capacitors C2 and C3. See the [ADXL212](#) data sheet for a complete description of the operation of the accelerometer.

The layout of the [EVAL-ADXL212Z](#) evaluation board is shown in Figure 2. The [EVAL-ADXL212Z](#) has two factory-installed 2200 pF capacitors (C1 and C4) at  $X_{FILT}$  and  $Y_{FILT}$  to satisfy the minimum filter capacitor specification for the [ADXL212](#). Many applications require a narrower bandwidth (and lower noise), in which case the user can add a through-hole capacitor in parallel in the space provided at C2 and C3, respectively. When calculating the capacitance required to achieve the desired analog bandwidth, do not forget to subtract the 2200 pF already on the PCB.

The pin function descriptions for the [EVAL-ADXL212Z](#) are listed in Table 2.

### SETTING THE PERIOD OF THE DUTY CYCLE MODULATOR

The DCM period is set by  $R_{SET}$ . Choose a value between 100 k $\Omega$  and 2 M $\Omega$ . See Table 3 for typical  $R_{SET}$  values.

### SPECIAL NOTES ON HANDLING

Note that the [EVAL-ADXL212Z](#) is not reverse polarity protected. Reversing the power supply or applying inappropriate voltages to any pin (outside the absolute maximum ratings listed in the [ADXL212](#) data sheet) may damage the [EVAL-ADXL212Z](#).

Dropping the [EVAL-ADXL212Z](#) on a hard surface can generate several thousand g of acceleration, enough to damage the accelerometer. See the [ADXL212](#) data sheet for information on shock survivability.

### SCHEMATICS, LAYOUT, AND PARTS LIST

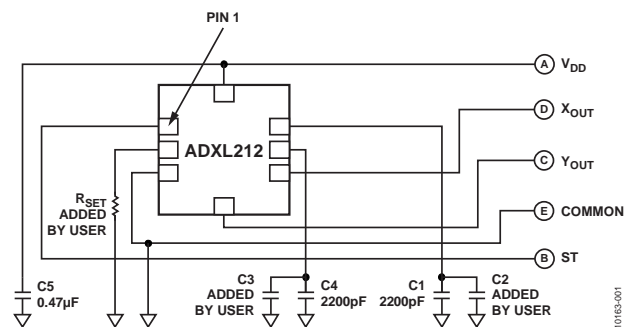


Figure 1. [EVAL-ADXL212Z](#) Schematic

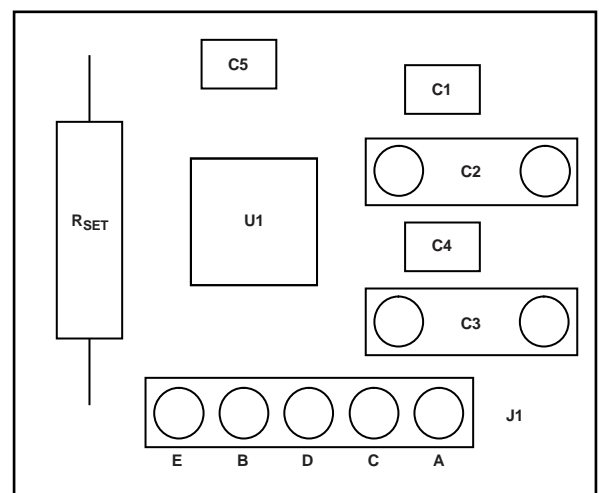


Figure 2. [EVAL-ADXL212Z](#) Board Layout

Table 1. EVAL-ADXL212Z Parts List

Reference	Value	Function
C1	2200 pF/25 V	X <sub>FILT.</sub> Sets X axis analog bandwidth along with C2.
C2	Added by user	X <sub>FILT.</sub> Sets X axis analog bandwidth along with C1.
C3	Added by user	Y <sub>FILT.</sub> Sets Y axis analog bandwidth along with C4.
C4	2200 pF/25 V	Y <sub>FILT.</sub> Sets Y axis analog bandwidth along with C3.
J1	Connector	All power and signal connection through J1.
R1	Added by user	R <sub>SET.</sub> Sets the PWM period (T2).
U1	ADXL212	Dual axis ±2 g accelerometer.

Table 2. EVAL-ADXL212Z Pin Function Descriptions

Pin Reference	Function
E	Ground
B	Self-test input
D	X-axis duty cycle out
C	Y-axis duty cycle out
A	+V supply (3 VDC to 5.25 VDC)

Table 3. DCM Period vs. R<sub>SET</sub> Value

T2 Period	R <sub>SET</sub>
1 ms	124 kΩ
2 ms	248 kΩ
5 ms	620 kΩ
10 ms	1.24 MΩ

**ESD Caution**

**ESD (electrostatic discharge) sensitive device.** Charged devices and circuit boards can discharge without detection. Although this product features patented or proprietary protection circuitry, damage may occur on devices subjected to high energy ESD. Therefore, proper ESD precautions should be taken to avoid performance degradation or loss of functionality.

**Legal Terms and Conditions**

By using the evaluation board discussed herein (together with any tools, components documentation or support materials, the "Evaluation Board"), you are agreeing to be bound by the terms and conditions set forth below ("Agreement") unless you have purchased the Evaluation Board, in which case the Analog Devices Standard Terms and Conditions of Sale shall govern. Do not use the Evaluation Board until you have read and agreed to the Agreement. Your use of the Evaluation Board shall signify your acceptance of the Agreement. This Agreement is made by and between you ("Customer") and Analog Devices, Inc. ("ADI"), with its principal place of business at One Technology Way, Norwood, MA 02062, USA. Subject to the terms and conditions of the Agreement, ADI hereby grants to Customer a free, limited, personal, temporary, non-exclusive, non-sublicensable, non-transferable license to use the Evaluation Board FOR EVALUATION PURPOSES ONLY. Customer understands and agrees that the Evaluation Board is provided for the sole and exclusive purpose referenced above, and agrees not to use the Evaluation Board for any other purpose. Furthermore, the license granted is expressly made subject to the following additional limitations: Customer shall not (i) rent, lease, display, sell, transfer, assign, sublicense, or distribute the Evaluation Board; and (ii) permit any Third Party to access the Evaluation Board. As used herein, the term "Third Party" includes any entity other than ADI, Customer, their employees, affiliates and in-house consultants. The Evaluation Board is NOT sold to Customer; all rights not expressly granted herein, including ownership of the Evaluation Board, are reserved by ADI. CONFIDENTIALITY. This Agreement and the Evaluation Board shall all be considered the confidential and proprietary information of ADI. Customer may not disclose or transfer any portion of the Evaluation Board to any other party for any reason. Upon discontinuation of use of the Evaluation Board or termination of this Agreement, Customer agrees to promptly return the Evaluation Board to ADI. ADDITIONAL RESTRICTIONS. Customer may not disassemble, decompile or reverse engineer chips on the Evaluation Board. Customer shall inform ADI of any occurred damages or any modifications or alterations it makes to the Evaluation Board, including but not limited to soldering or any other activity that affects the material content of the Evaluation Board. Modifications to the Evaluation Board must comply with applicable law, including but not limited to the RoHS Directive. TERMINATION. ADI may terminate this Agreement at any time upon giving written notice to Customer. Customer agrees to return to ADI the Evaluation Board at that time. LIMITATION OF LIABILITY. THE EVALUATION BOARD PROVIDED HEREUNDER IS PROVIDED "AS IS" AND ADI MAKES NO WARRANTIES OR REPRESENTATIONS OF ANY KIND WITH RESPECT TO IT. ADI SPECIFICALLY DISCLAIMS ANY REPRESENTATIONS, ENDORSEMENTS, GUARANTEES, OR WARRANTIES, EXPRESS OR IMPLIED, RELATED TO THE EVALUATION BOARD INCLUDING, BUT NOT LIMITED TO, THE IMPLIED WARRANTY OF MERCHANTABILITY, TITLE, FITNESS FOR A PARTICULAR PURPOSE OR NON-INFRINGEMENT OF INTELLECTUAL PROPERTY RIGHTS. IN NO EVENT WILL ADI AND ITS LICENSORS BE LIABLE FOR ANY INCIDENTAL, SPECIAL, INDIRECT, OR CONSEQUENTIAL DAMAGES RESULTING FROM CUSTOMER'S POSSESSION OR USE OF THE EVALUATION BOARD, INCLUDING BUT NOT LIMITED TO LOST PROFITS, DELAY COSTS, LABOR COSTS OR LOSS OF GOODWILL. ADI'S TOTAL LIABILITY FROM ANY AND ALL CAUSES SHALL BE LIMITED TO THE AMOUNT OF ONE HUNDRED US DOLLARS (\$100.00). EXPORT. Customer agrees that it will not directly or indirectly export the Evaluation Board to another country, and that it will comply with all applicable United States federal laws and regulations relating to exports. GOVERNING LAW. This Agreement shall be governed by and construed in accordance with the substantive laws of the Commonwealth of Massachusetts (excluding conflict of law rules). Any legal action regarding this Agreement will be heard in the state or federal courts having jurisdiction in Suffolk County, Massachusetts, and Customer hereby submits to the personal jurisdiction and venue of such courts. The United Nations Convention on Contracts for the International Sale of Goods shall not apply to this Agreement and is expressly disclaimed.