

TMUX4157N -12 V Low RON, 2:1 (SPDT) Negative Voltage Switch with 1.8-V Logic Control

1 Features

- Negative Voltage Support: -4 V to -12 V
- Rail-to-Rail Operation
- Bidirectional Signal Path
- 1.8 V Logic Compatible
- Fail-Safe Logic
- High Continuous Current Support: 150 mA
- Low On-Resistance: 1.8 Ω
- -55°C to +125°C Operating Temperature
- Break-Before-Make Switching
- ESD Protection HBM: 2000 V

2 Applications

- Analog and Digital Switching
- GaN Power Amplifier Gate Switching
- [Remote Radio Units \(RRU\)](#)
- [Active Antenna System mMIMO \(AAS\)](#)
- [Baseband Unit \(BBU\)](#)
- [Wireless Communications Test](#)

3 Description

The TMUX4157N is a general purpose 2:1, single-pole double-throw (SPDT), switch that supports a negative supply rail only. The supply voltage can range from -4 V to -12 V and the device supports bidirectional analog and digital signals on the source (Sx) and drain (D) pins ranging from GND to V_{SS} . The state of the select pin (SEL) controls which of the two sources pins are connected to the drain pin.

While TMUX4157N supports negative voltages on the supply pin and signal path, the logic input pin is controlled with a positive voltage to allow interfacing with typical control logic circuitry such as a GPIO signal. The logic input pin has 1.8 V logic compatible thresholds and can operate as high as 5.5 for added system flexibility. Fail-Safe Logic circuitry allows voltages on the control pins to be applied before the supply pin, protecting the device from potential damage.

Fast transition times and high continuous current through the switch make the TMUX4157N well suited for applications where the system needs to quickly switch between two different voltage inputs.

Device Information

PART NUMBER ⁽¹⁾	PACKAGE	BODY SIZE (NOM)
TMUX4157N	SC70 (6)	2.00 mm × 1.25 mm

(1) See the package option addendum at the end of the data sheet for all available packages.

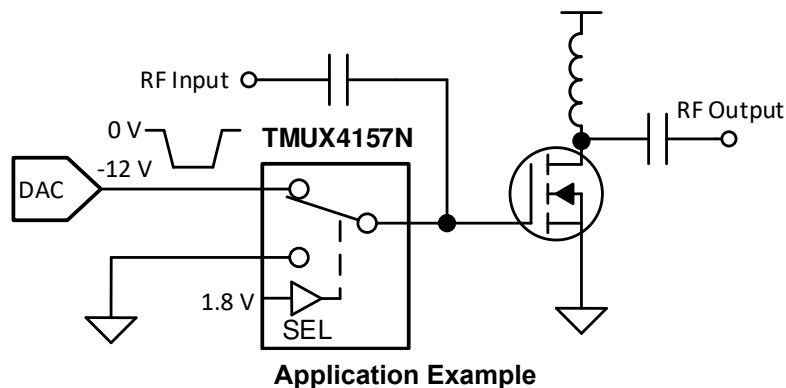
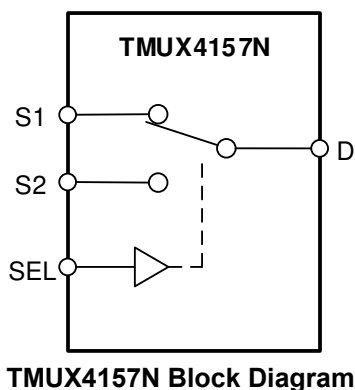


Table of Contents

1 Features	1	7.10 Crosstalk.....	14
2 Applications	1	7.11 Bandwidth.....	15
3 Description	1	8 Detailed Description	15
4 Revision History	2	8.1 Overview.....	15
5 Pin Configuration and Functions	3	8.2 Functional Block Diagram.....	15
6 Specifications	4	8.3 Feature Description.....	15
6.1 Absolute Maximum Ratings	4	8.4 Device Functional Modes.....	16
6.2 ESD Ratings	4	8.5 Truth Tables.....	16
6.3 Recommended Operating Conditions	4	9 Application and Implementation	17
6.4 Thermal Information	5	9.1 Application Information.....	17
6.5 Electrical Characteristics	5	9.2 Typical Application.....	17
6.6 Dynamic Characteristics	6	10 Power Supply Recommendations	18
6.7 Timing Characteristics	7	11 Layout	19
6.8 Typical Characteristics.....	8	11.1 Layout Guidelines.....	19
7 Parameter Measurement Information	10	11.2 Layout Example.....	19
7.1 On-Resistance.....	10	12 Device and Documentation Support	20
7.2 Off-Leakage Current.....	10	12.1 Documentation Support.....	20
7.3 On-Leakage Current.....	11	12.2 Receiving Notification of Documentation Updates..	20
7.4 Transition Time.....	11	12.3 Support Resources.....	20
7.5 Break-Before-Make.....	12	12.5 Electrostatic Discharge Caution.....	20
7.6 Prop Delay.....	12	12.6 Glossary.....	20
7.7 Device Turn on Time.....	13	13 Mechanical, Packaging, and Orderable Information	20
7.8 Charge Injection.....	13		
7.9 Off Isolation.....	14		

4 Revision History

NOTE: Page numbers for previous revisions may differ from page numbers in the current version.

Changes from Revision * (March 2020) to Revision A (March 2021)	Page
• Changed the document status From: <i>Advanced Information</i> To: <i>Production data</i>	1

5 Pin Configuration and Functions

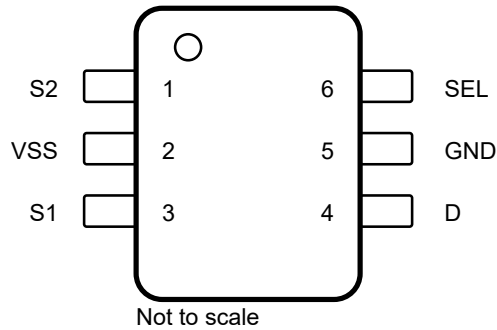


Figure 5-1. DCK Package 6-Pin SC70 Top View

Table 5-1. Pin Functions

PIN		TYPE ⁽¹⁾	DESCRIPTION ⁽²⁾
NAME	NO.		
S2	1	I/O	Source pin 2. Can be an input or output.
V _{SS}	2	P	Negative power supply. This pin is the most negative power-supply potential. For reliable operation, connect a decoupling capacitor ranging from 0.1 μF to 10 μF between V _{SS} and GND.
S1	3	I/O	Source pin 1. Can be an input or output.
D	4	I/O	Drain pin. Can be an input or output.
GND	5	P	Ground (0 V) reference
SEL	6	I	Select pin: controls state of the switch according to Table 8-1 . (Logic Low = S1 to D, Logic High = S2 to D)

- (1) I = input, O = output, I/O = input and output, P = power.
 (2) Refer to [Section 8.4](#) for what to do with unused pins.

6 Specifications

6.1 Absolute Maximum Ratings

over operating free-air temperature range (unless otherwise noted)^{(1) (2) (3)}

		MIN	MAX	UNIT
V _{SS}	Supply voltage	-13	0.5	V
V _{SEL}	Logic control input pin voltage (SEL)	-0.5	6	
V _S or V _D	Source or drain voltage (Sx, D)	V _{SS} -0.5	0.5	
I _{SEL}	Logic control input pin diode current (SEL)	-50		mA
I _{IOK}	Switch source or drain pin diode current (Sx, D)	-50	50	
I _S or I _{D (CONT)}	Continuous current through switch (Sx, D pins) -40°C to +125°C	-100	100	
I _S or I _{D (CONT)}	Continuous current through switch (Sx, D pins) -40°C to +85°C	-150	150	
I _S or I _{D (PEAK)}	Source and drain peak current: (1 ms period max, 10% duty cycle maximum) (Sx, D)	-150	150	mA
P _D	Power dissipation		80	mW
T _{stg}	Storage temperature	-65	150	°C
T _J	Junction temperature		150	

- (1) Stresses beyond those listed under *Absolute Maximum Rating* may cause permanent damage to the device. These are stress ratings only, which do not imply functional operation of the device at these or any other conditions beyond those indicated under *Recommended Operating Condition*. Exposure to absolute-maximum-rated conditions for extended periods may affect device reliability.
- (2) The algebraic convention, whereby the most negative value is a minimum and the most positive value is a maximum.
- (3) All voltages are with respect to ground, unless otherwise specified.

6.2 ESD Ratings

			VALUE	UNIT
V _(ESD)	Electrostatic discharge	Human body model (HBM), per ANSI/ESDA/ JEDEC JS-001, all pins ⁽¹⁾	±2000	V
		Charged device model (CDM), per JEDEC specification JESD22-C101, all pins ⁽²⁾	±750	

- (1) JEDEC document JEP155 states that 500-V HBM allows safe manufacturing with a standard ESD control process.
- (2) JEDEC document JEP157 states that 250-V CDM allows safe manufacturing with a standard ESD control process.

6.3 Recommended Operating Conditions

over operating free-air temperature range (unless otherwise noted)

		MIN	NOM	MAX	UNIT
V _{SS}	Supply voltage	-12		-4	V
V _S or V _D	Signal path input/output voltage (source or drain pin) (Sx, D)	V _{SS}		GND	V
V _{SEL}	Logic control input pin voltage (SEL)	0		5.5	V
I _S or I _{D (CONT)}	Continuous current through switch (Sx, D pins) -40°C to +125°C	-100		100	mA
I _S or I _{D (CONT)}	Continuous current through switch (Sx, D pins) -40°C to +85°C	-150		150	mA
T _A	Ambient temperature	-55		125	°C

6.4 Thermal Information

THERMAL METRIC ⁽¹⁾		TMUX4157N	UNIT
		SC70 (DCK)	
		6 PINS	
$R_{\theta JA}$	Junction-to-ambient thermal resistance	181.7	°C/W
$R_{\theta JC(top)}$	Junction-to-case (top) thermal resistance	132.6	°C/W
$R_{\theta JB}$	Junction-to-board thermal resistance	73.2	°C/W
Ψ_{JT}	Junction-to-top characterization parameter	56.3	°C/W
Ψ_{JB}	Junction-to-board characterization parameter	72.9	°C/W
$R_{\theta JC(bot)}$	Junction-to-case (bottom) thermal resistance	N/A	°C/W

(1) For more information about traditional and new thermal metrics, see the [Semiconductor and IC Package Thermal Metrics](#) application report.

6.5 Electrical Characteristics

Typical values measured at nominal V_{SS} and $T_A = 25^\circ\text{C}$.

PARAMETER	TEST CONDITIONS	V_{SS}	-55°C to 125°C			UNIT
			MIN	TYP	MAX	
ANALOG SWITCH						
R_{ON}	On-state switch resistance	$V_S = V_{SS}$ to GND $I_{SD} = 50$ mA	-12 V	1.8	6.5	Ω
			-10 V	1.8	6.5	
			-8 V	1.9	6.5	
			-6 V	2	6.5	
			-4 V	2.6	8	
$R_{ON\ FLAT}$	On-state switch resistance flatness	$V_S = V_{SS}$ to GND $I_{SD} = 50$ mA	-12 V	1.8		Ω
			-10 V	1.8		
			-8 V	1.8		
			-6 V	1.6		
			-4 V	1.4		
ΔR_{ON}	On-state switch resistance matching between inputs	$V_S = V_{SS}$ to GND $I_{SD} = 50$ mA	-12 V	0.2		Ω
			-10 V	0.2		
			-8 V	0.25		
			-6 V	0.25		
			-4 V	0.3		
$I_{S(OFF)}$	Source off-state leakage current	Switch Off $V_D = V_{SS}$ / GND $V_S =$ GND / V_{SS}	-10 V	± 1	± 15	μA
$I_{D(ON)}$ $I_{S(ON)}$	Channel on-state leakage current	Switch On $V_S = V_D =$ GND to V_{SS}	-10 V	± 1	± 15	μA
C_{SOFF}	Source off capacitance	$V_S = V_{SS} / 2$ $f = 1$ MHz	-10 V	10		pF
C_{SON} C_{DON}	On capacitance	$V_S = V_{SS} / 2$ $f = 1$ MHz	-10 V	20		pF
POWER SUPPLY						
I_{SS}	V_{SS} supply current	Logic inputs = GND or 3.3 V $V_S = V_{SS}$ or GND	-12 V to -4 V	20	70	μA

6.5 Electrical Characteristics (continued)

Typical values measured at nominal V_{SS} and $T_A = 25^\circ\text{C}$.

PARAMETER		TEST CONDITIONS	V_{SS}	-55°C to 125°C			UNIT
				MIN	TYP	MAX	
LOGIC INPUT (SEL)							
V_{IH}	Input logic high		-12 V	1.35		5	V
			-10 V	1.35		5	
			-8 V	1.35		5	
			-6 V	1.35		5	
			-4 V	1.35		5	
V_{IL}	Input logic low		-12 V	0		0.8	V
			-10 V	0		0.8	
			-8 V	0		0.8	
			-6 V	0		0.8	
			-4 V	0		0.8	
I_{IH} I_{IL}	Logic input leakage current		-12 V to -4 V		±1	±30	µA
C_{IN}	Logic input capacitance		-12 V to -4 V		3		pF

6.6 Dynamic Characteristics

Typical values measured at nominal V_{SS} and $T_A = 25^\circ\text{C}$.

PARAMETER		TEST CONDITIONS	V_{SS}	-55°C to 125°C			UNIT
				MIN	TYP	MAX	
Q_{INJ}	Charge Injection	$V_S = V_{SS} / 2$ $R_S = 0 \Omega, C_L = 100 \text{ pF}$	-12 V		-80	pC	
			-10 V		-70		
			-8 V		-55		
			-6 V		-40		
			-4 V		-25		
O_{ISO}	Off Isolation	$V_{BIAS} = V_{SS} / 2$ $V_S = 200 \text{ mVpp}$ $R_L = 50 \Omega, C_L = 5 \text{ pF}$ $f = 1 \text{ MHz}$	-12 V to -4 V		-65	dB	
O_{ISO}	Off Isolation	$V_{BIAS} = V_{SS} / 2$ $V_S = 200 \text{ mVpp}$ $R_L = 50 \Omega, C_L = 5 \text{ pF}$ $f = 10 \text{ MHz}$	-12 V to -4 V		-40	dB	
X_{TALK}	Crosstalk	$V_{BIAS} = V_{SS} / 2$ $V_S = 200 \text{ mVpp}$ $R_L = 50 \Omega, C_L = 5 \text{ pF}$ $f = 1 \text{ MHz}$	-12 V to -4 V		-65	dB	
X_{TALK}	Crosstalk	$V_{BIAS} = V_{SS} / 2$ $V_S = 200 \text{ mVpp}$ $R_L = 50 \Omega, C_L = 5 \text{ pF}$ $f = 10 \text{ MHz}$	-12 V to -4 V		-42	dB	
BW	Bandwidth	$V_{BIAS} = V_{SS} / 2$ $V_S = 200 \text{ mVpp}$ $R_L = 50 \Omega, C_L = 5 \text{ pF}$	-12 V to -4 V		340	MHz	

6.7 Timing Characteristics

Typical values measured at nominal V_{SS} and $T_A = 25^\circ\text{C}$.

PARAMETER		TEST CONDITIONS	V_{SS}	-55°C to 125°C			UNIT
				MIN	TYP	MAX	
t_{PD}	Propagation delay Sx to D, D to Sx	$C_L = 100\text{ pF}$	-12 V	0.4	2	ns	
			-10 V	0.4	2		
			-8 V	0.4	2		
			-6 V	0.4	2		
			-4 V	0.5	2.5		
$t_{TRAN\ HIGH}$	Transition-time between inputs turning on (high) SEL to D, SEL to Sx	$R_L = 250\ \Omega, C_L = 100\text{ pF}$ $V_S = V_{SS}$	-12 V		210	ns	
			-10 V		200		
			-8 V		205		
			-6 V		215		
			-4 V		280		
$t_{TRAN\ LOW}$	Transition-time between inputs turning off (low) SEL to D, SEL to Sx	$R_L = 250\ \Omega, C_L = 100\text{ pF}$ $V_S = V_{SS}$	-12 V		210	ns	
			-10 V		210		
			-8 V		215		
			-6 V		225		
			-4 V		260		
t_{BBM}	Break before make time	$R_L = 50\ \Omega, C_L = 100\text{ pF}$ $V_S = -2.5\text{ V}$	-12 V	5		ns	
			-10 V	5			
			-8 V	10			
			-6 V	10			
			-4 V	40			
$T_{ON(VSS)}$	Device turn on time (V_{SS} to output)	$R_L = 250\ \Omega, C_L = 100\text{ pF}$ $V_S = V_{SS}$	-12 V to -4 V		20	μs	

6.8 Typical Characteristics

At $T_A = 25^\circ\text{C}$, $V_{SS} = -10\text{ V}$ (unless otherwise noted).

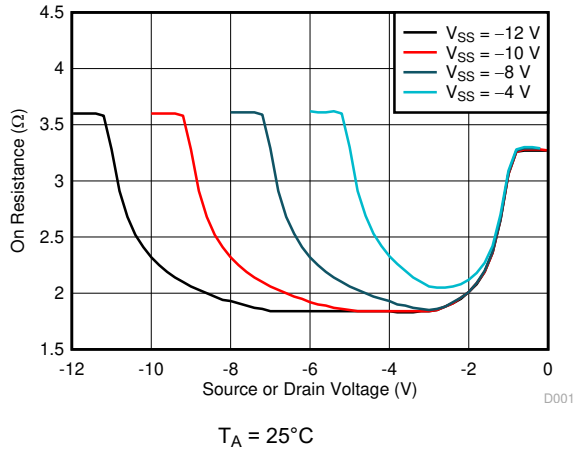


Figure 6-1. On-Resistance vs Signal Voltage

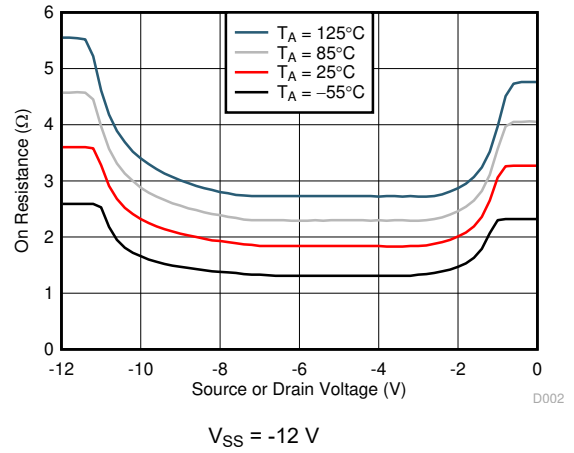


Figure 6-2. On-Resistance vs Signal Voltage

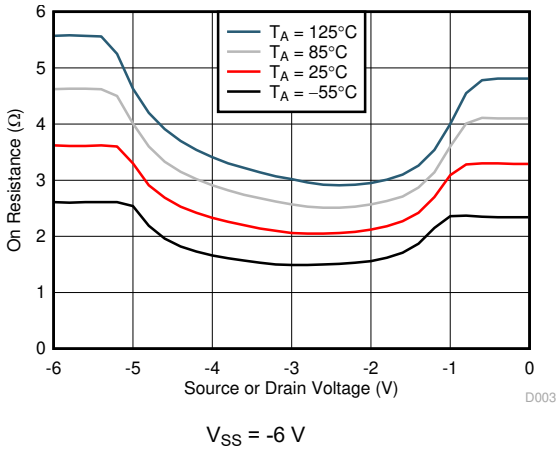


Figure 6-3. On-Resistance vs Signal Voltage

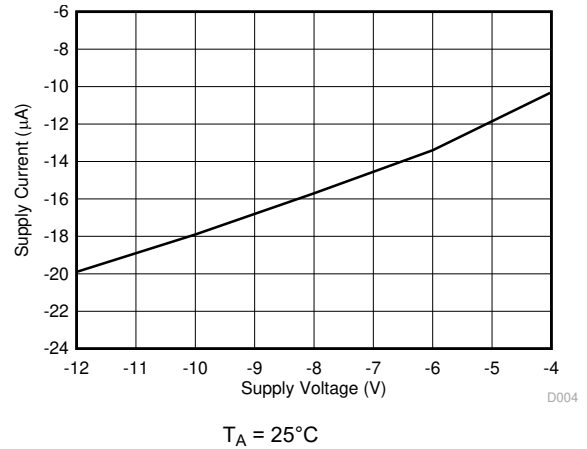


Figure 6-4. Supply Current vs Supply Voltage

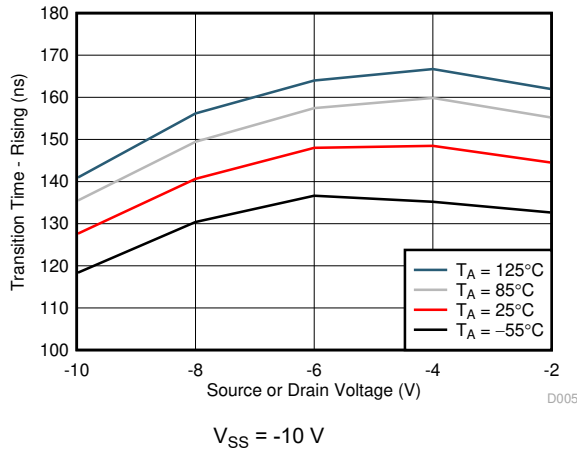


Figure 6-5. Transition Time vs Signal Voltage

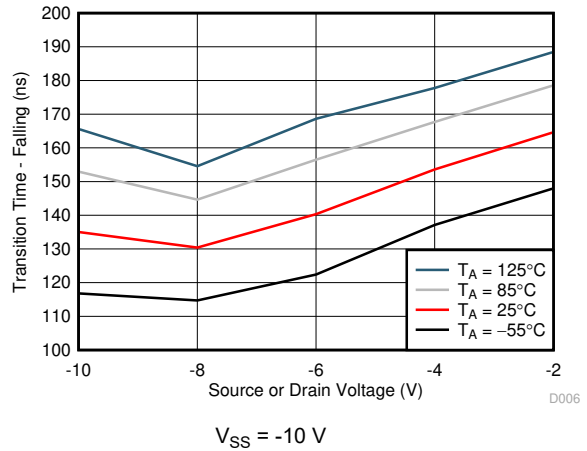


Figure 6-6. Transition Time vs Signal Voltage

6.8 Typical Characteristics (continued)

At $T_A = 25^\circ\text{C}$, $V_{SS} = -10\text{ V}$ (unless otherwise noted).

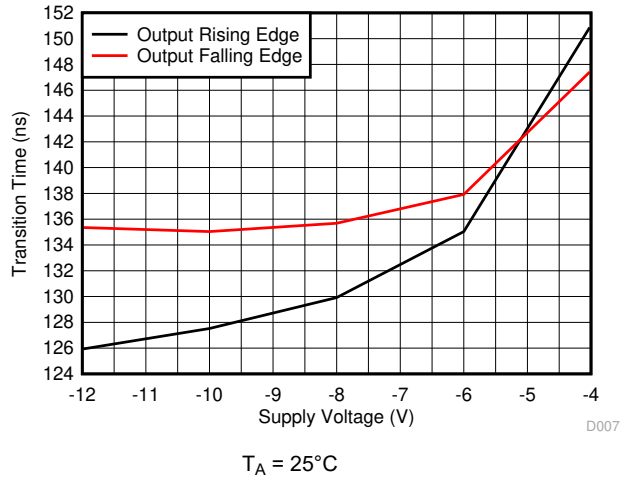


Figure 6-7. Transition Time vs Supply Voltage

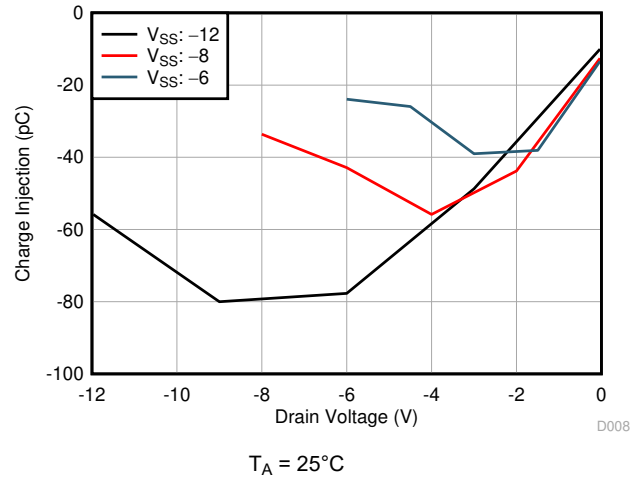


Figure 6-8. Charge Injection vs Drain Voltage

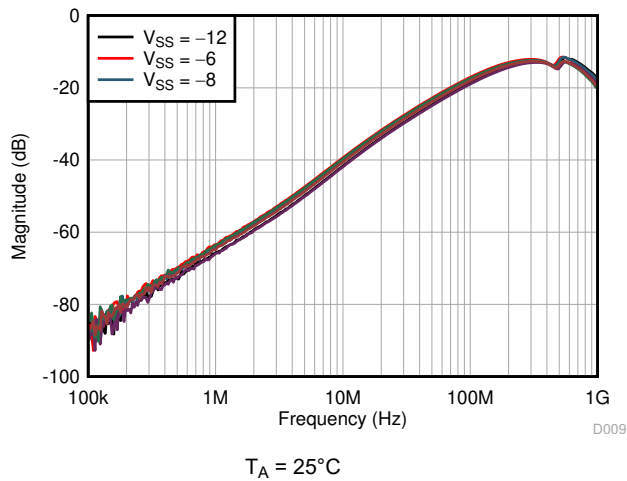


Figure 6-9. Crosstalk and Off-Isolation vs Frequency

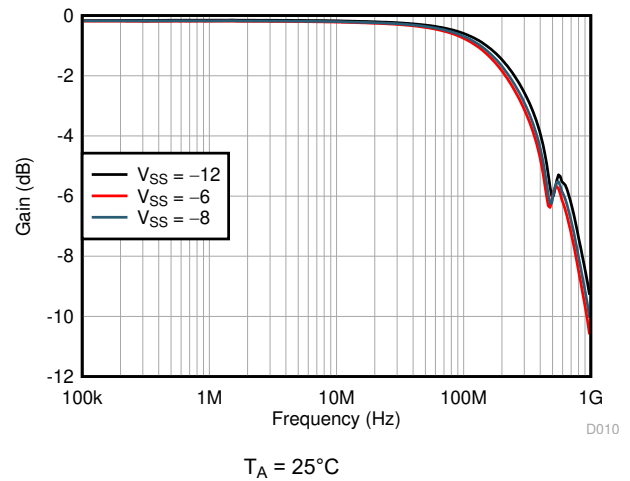


Figure 6-10. Frequency Response

7 Parameter Measurement Information

7.1 On-Resistance

The on-resistance of a device is the ohmic resistance between the source (Sx) and drain (D) pins of the device. The on-resistance varies with input voltage and supply voltage. The symbol R_{ON} is used to denote on-resistance. Figure 7-1 shows the measurement setup used to measure R_{ON} . Voltage (V) and current (I_{SD}) are measured using this setup, and R_{ON} is computed with $R_{ON} = V / I_{SD}$:

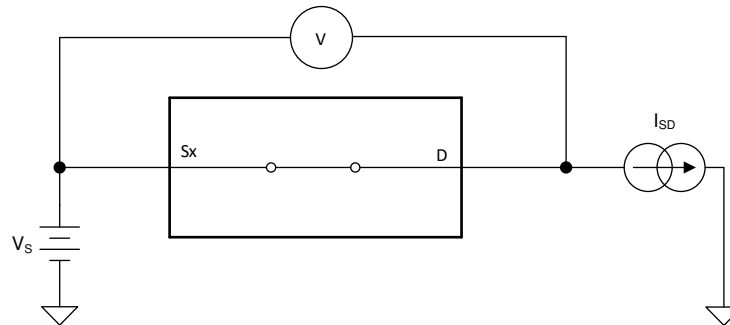


Figure 7-1. On-Resistance Measurement Setup

7.2 Off-Leakage Current

Source leakage current is defined as the leakage current flowing into or out of the source pin when the switch is off. This current is denoted by the symbol $I_{S(OFF)}$.

Figure 7-2 shows the setup used to measure off-leakage current.

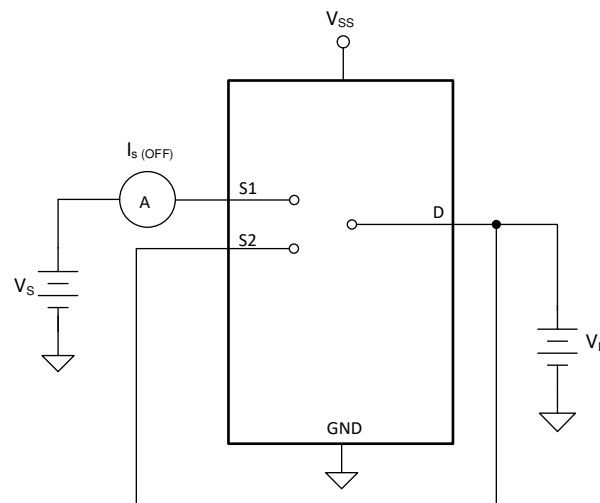


Figure 7-2. Off-Leakage Measurement Setup

7.3 On-Leakage Current

Source on-leakage current is defined as the leakage current flowing into or out of the source pin when the switch is on. This current is denoted by the symbol $I_{S(ON)}$.

Drain on-leakage current is defined as the leakage current flowing into or out of the drain pin when the switch is on. This current is denoted by the symbol $I_{D(ON)}$.

Either the source pin or drain pin is left floating during the measurement. Figure 7-3 shows the circuit used for measuring the on-leakage current, denoted by $I_{S(ON)}$ or $I_{D(ON)}$.

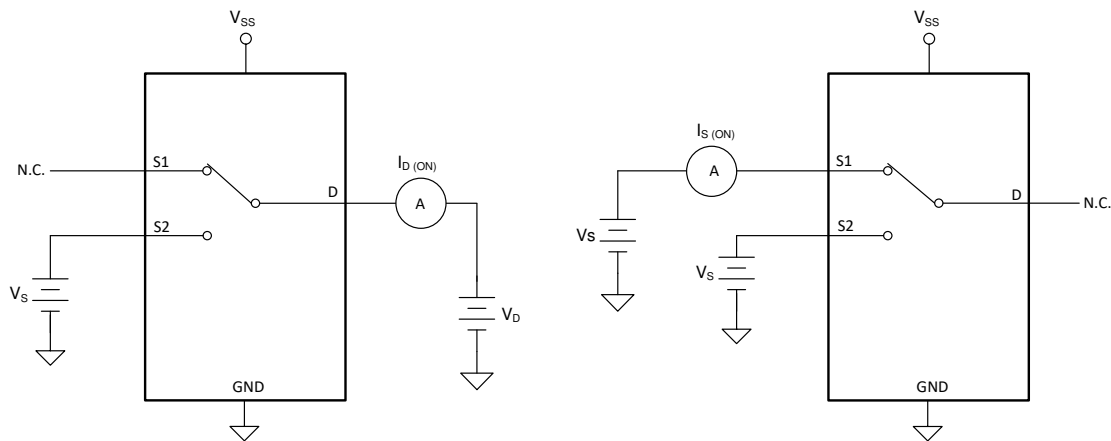


Figure 7-3. On-Leakage Measurement Setup

7.4 Transition Time

Transition time is defined as the time taken by the output of the device to rise or fall 50% after the logic control signal has risen or fallen past the 50% threshold. System level timing can then account for the time constant added from the load resistance and load capacitance. Figure 7-4 shows the setup used to measure transition time, denoted by the symbol $t_{TRANSITION}$.

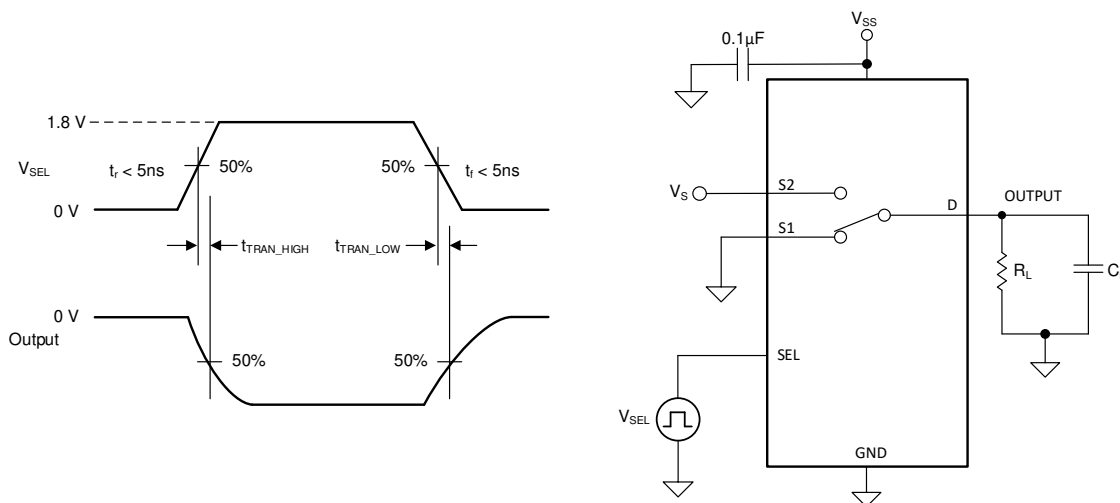


Figure 7-4. Transition-Time Measurement Setup

7.5 Break-Before-Make

Break-before-make delay is a safety feature that prevents two inputs from connecting when the device is switching. The output first breaks from the on-state switch before making the connection with the next on-state switch. The time delay between the *break* and the *make* is known as break-before-make delay. Figure 7-5 shows the setup used to measure break-before-make delay, denoted by the symbol $t_{OPEN(BBM)}$.

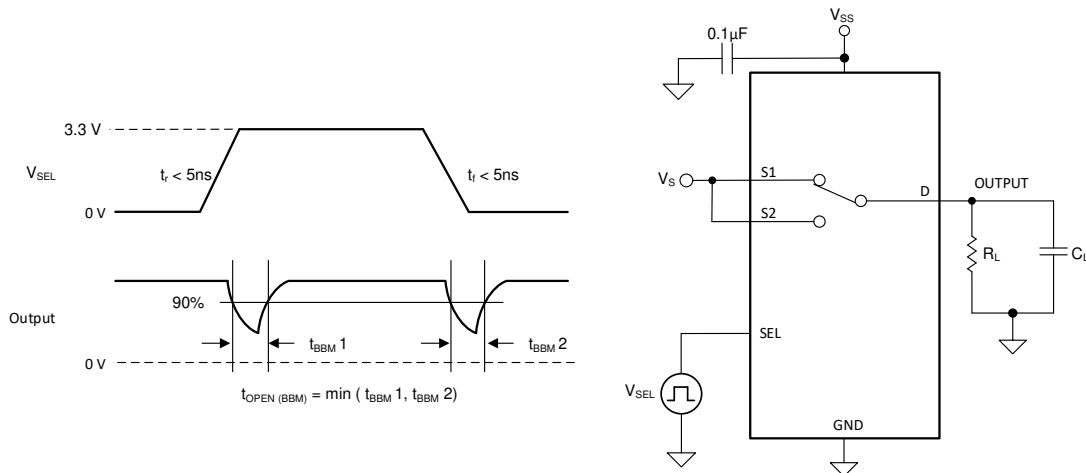


Figure 7-5. Break-Before-Make Delay Measurement Setup

7.6 Prop Delay

Propagation delay is defined as the time taken by the output of the device to rise or fall 50% after the input signal has risen or fallen past the 50% threshold. Figure 7-6 shows the setup used to measure propagation delay, denoted by the symbol t_{PD} .

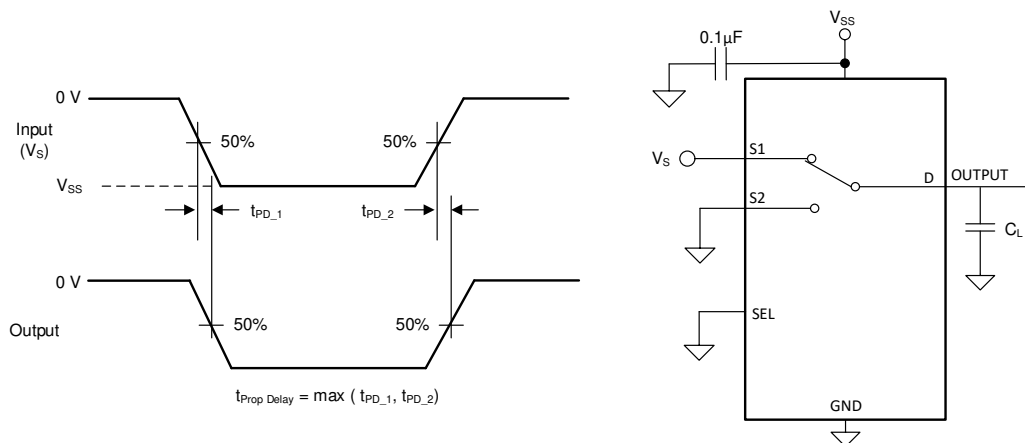


Figure 7-6. Prop Delay Measurement Setup

7.7 Device Turn on Time

The $T_{ON(VSS)}$ time is defined as the time taken by the output of the device to rise to 90% after the supply has risen past the supply threshold. The 90% measurement is used to provide the timing of the device turning on in the system. Figure 7-7 shows the setup used to measure turn on time, denoted by the symbol $T_{ON(VSS)}$.

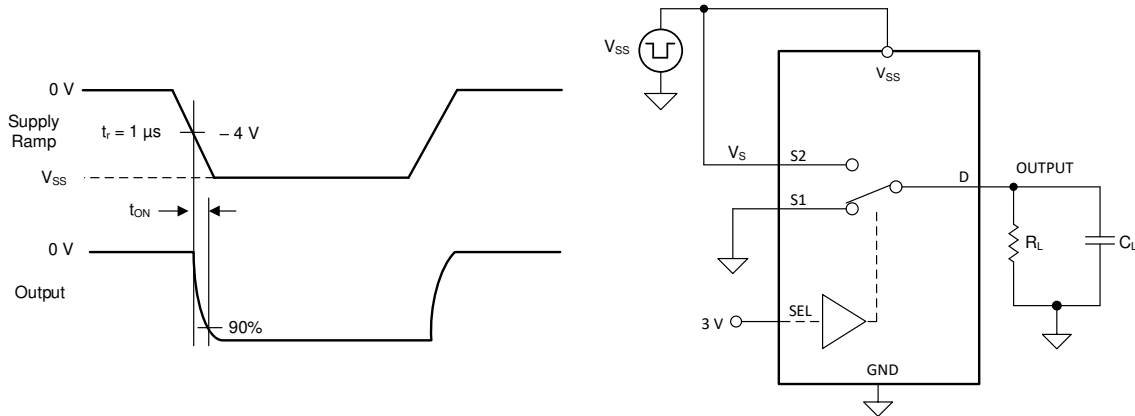


Figure 7-7. Device Turn on Time Measurement Setup

7.8 Charge Injection

The TMUX4157N has a transmission-gate topology. Any mismatch in capacitance between the NMOS and PMOS transistors results in a charge injected into the drain or source during the falling or rising edge of the gate signal. The amount of charge injected into the source or drain of the device is known as charge injection, and is denoted by the symbol Q_C . Figure 7-8 shows the setup used to measure charge injection from Drain (D) to Source (Sx).

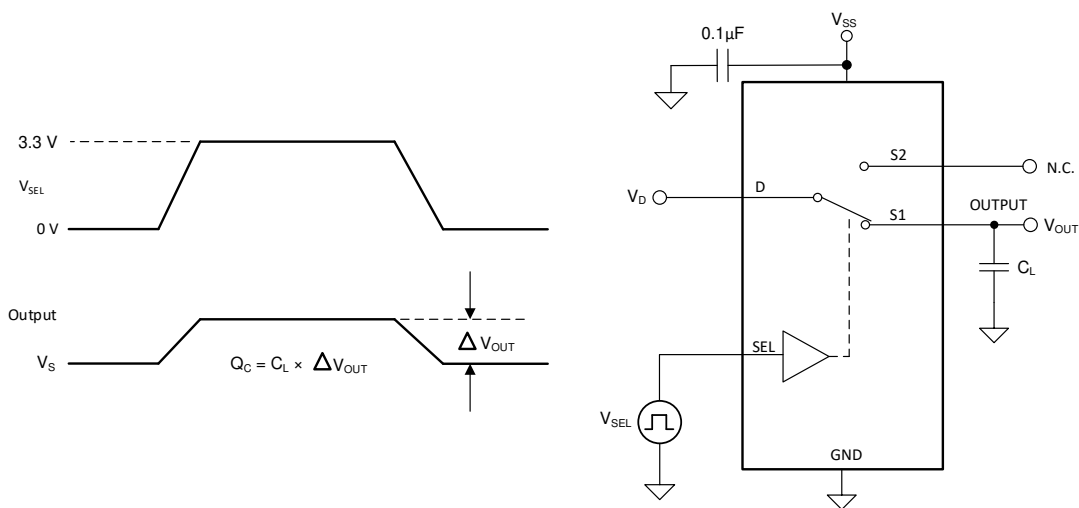


Figure 7-8. Charge-Injection Measurement Setup

7.9 Off Isolation

Off isolation is defined as the ratio of the signal at the drain pin (D) of the device when a signal is applied to the source pin (Sx) of an off-channel. Figure 7-9 shows the setup used to measure, and the equation used to calculate off isolation.

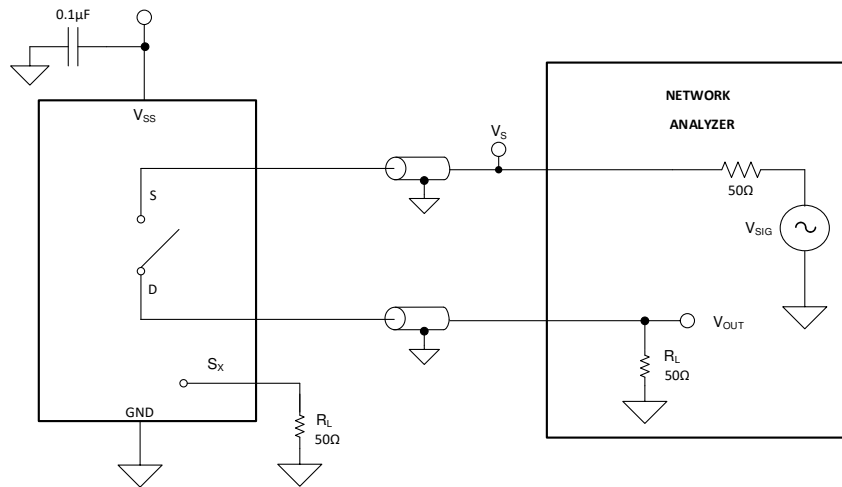


Figure 7-9. Off Isolation Measurement Setup

$$\text{Off Isolation} = 20 \cdot \text{Log} \left(\frac{V_{\text{OUT}}}{V_{\text{S}}} \right) \tag{1}$$

7.10 Crosstalk

Crosstalk is defined as the ratio of the signal at the drain pin (D) of a different channel, when a signal is applied at the source pin (Sx) of an on-channel. Figure 7-10 shows the setup used to measure, and the equation used to calculate crosstalk.

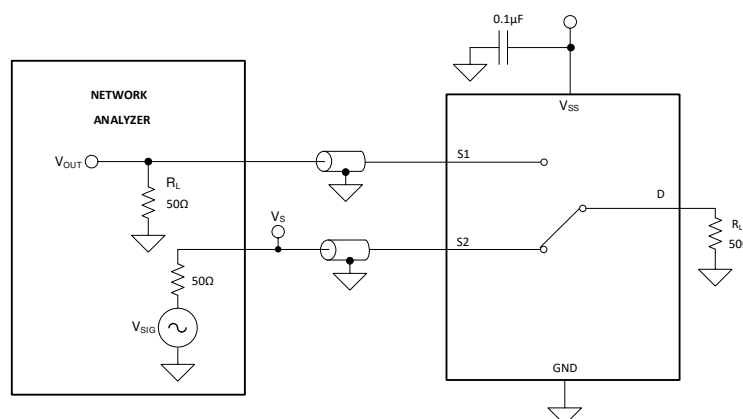


Figure 7-10. Crosstalk Measurement Setup

$$\text{Channel-to-Channel Crosstalk} = 20 \cdot \text{Log} \left(\frac{V_{\text{OUT}}}{V_{\text{S}}} \right) \tag{2}$$

7.11 Bandwidth

Bandwidth is defined as the range of frequencies that are attenuated by less than 3 dB when the input is applied to the source pin (Sx) of an on-channel, and the output is measured at the drain pin (D) of the device. [Figure 7-11](#) shows the setup used to measure bandwidth.

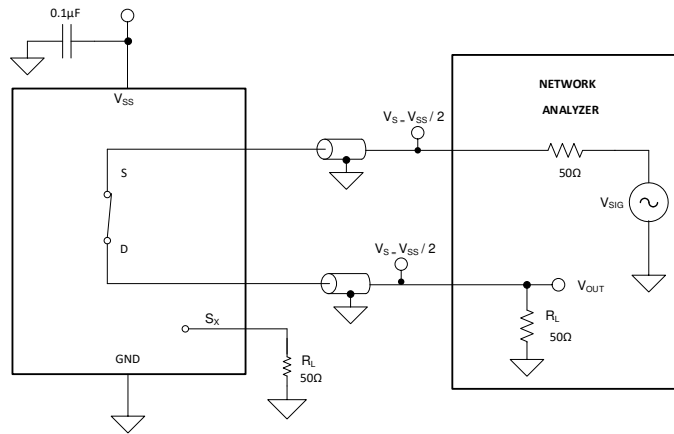


Figure 7-11. Bandwidth Measurement Setup

8 Detailed Description

8.1 Overview

The TMUX4157N is an 2:1 (SPDT), 1-channel switch where the input is controlled with a single select (SEL) control pin.

8.2 Functional Block Diagram

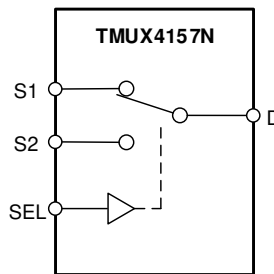


Figure 8-1. TMUX4157N Functional Block Diagram

8.3 Feature Description

8.3.1 Bidirectional Operation

The TMUX4157N conducts equally well from source (Sx) to drain (D) or from drain (D) to source (Sx). The device has very similar characteristics in both directions and supports both analog and digital signals.

8.3.2 Rail-to-Rail Operation

The valid signal path input or output voltage for TMUX4157N ranges from GND to V_{SS} .

8.3.3 1.8 V Logic Compatible Inputs

The TMUX4157N has 1.8 V logic compatible control for the logic control input (SEL). The logic input threshold scales with supply but still provides 1.8 V logic control when operating at 5.5 V supply voltage. 1.8 V logic level inputs allow the TMUX4157N to interface with processors that have lower logic I/O rails and eliminates the need for an external translator, which saves both space and BOM cost. Refer to [Simplifying Design with 1.8 V logic Muxes and Switches](#) for more information on 1.8 V logic implementations.

8.3.4 Fail-Safe Logic

The TMUX4157N supports Fail-Safe Logic on the control input pin (SEL) allowing for operation up to 5.5 V, regardless of the state of the supply pin. This feature allows voltages on the control pin to be applied before the supply pin, protecting the device from potential damage. Fail-Safe Logic minimizes system complexity by removing the need for power supply sequencing on the logic control pins. For example, the Fail-Safe Logic feature allows the select pin of the TMUX4157N to be ramped to 5.5 V while $V_{SS} = 0$ V. Additionally, the feature enables operation of the TMUX4157N with $V_{SS} = 1.2$ V while allowing the select pin to interface with a logic level of another device up to 5.5 V.

8.4 Device Functional Modes

The select (SEL) pin of the TMUX4157N controls which switch is connected to the drain of the device. When a given input is not selected, that source pin is in high impedance mode (HI-Z). The control pins can be as high as 5.5 V.

The TMUX4157N can be operated without any external components except for the supply decoupling capacitors. [Implications of Slow or Floating CMOS Inputs](#) highlights how the unused logic control pins should be tied to GND or logic high in order to ensure the device does not consume additional current. Unused signal path inputs (Sx or D) should be connected to GND.

8.5 Truth Tables

Table 8-1. TMUX4157N Truth Table

CONTROL LOGIC (SEL)	Selected Source (Sx) Connected To Drain (D) Pin
0	S1
1	S2

9 Application and Implementation

Note

Information in the following applications sections is not part of the TI component specification, and TI does not warrant its accuracy or completeness. TI's customers are responsible for determining suitability of components for their purposes. Customers should validate and test their design implementation to confirm system functionality.

9.1 Application Information

The TMUX4157N system flexibility in GaN power amplifier biasing by supporting negative voltages across a wide operating supply (-4 V to -12 V). This device includes a 1.8 V logic compatible control input pin that enables operation in systems with 1.8 V I/O rails. These features allow the switch to reduce system complexity, board size, and overall system cost.

9.2 Typical Application

9.2.1 Negative Voltage Input Control for Power Amplifier

One application of the TMUX4157N is for input control of a power amplifier. Utilizing a switch allows a system to control when the DAC is connected to the power amplifier, and can stop biasing the power amplifier by switching the gate voltage. The ability to dynamically control the power amplifier is beneficial in multiple applications within communication equipment. [Figure 9-1](#) shows the TMUX4157N configured for control of the power amplifier.

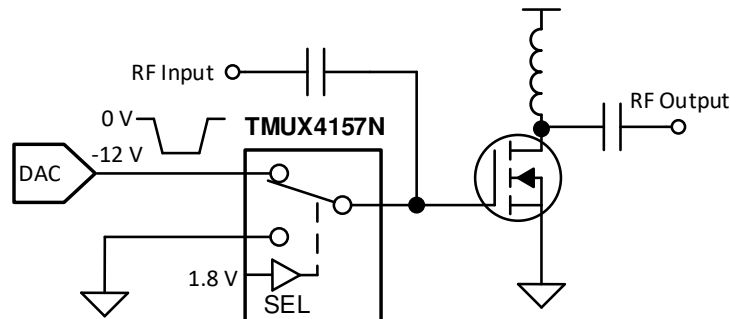


Figure 9-1. Input Control of Power Amplifier

9.2.1.1 Design Requirements

[Table 9-1](#) lists the parameters that are used in this design example.

Table 9-1. Design Parameters

PARAMETERS	VALUES
Supply (V_{SS})	-12 V
Switch I/O signal range	0 V to V_{SS} (Rail-to-Rail)
Control logic thresholds (SEL)	1.8 V compatible (up to 5.5 V)

9.2.1.2 Detailed Design Procedure

The application shown in [Figure 9-1](#) demonstrates how to toggle between the DAC output and GND for control of a GaN power amplifier using a single control input. The DAC output is utilized to bias the gate of the power amplifier and can be disconnected from the circuit using the select pin of the switch. The TMUX4157N can support 1.8-V logic signals on the control input, allowing the device to interface with low logic controls of an FPGA or MCU. The TMUX4157N can be operated without any external components except for the supply decoupling capacitors. The select pin is recommended to have a pull-down or pull-up resistor to ensure the input is in a known state if the control signal becomes disconnected. All inputs to the switch must fall within the recommended operating conditions of the TMUX4157N including signal range and continuous current.

9.2.1.3 Application Curve

A key parameter for this application is the transition time of the device. Faster transition time allows the system to toggle between input sources at a faster rate and allows the output to settle to the final value. Figure 9-2 shows how the transition times varies with supply voltage.

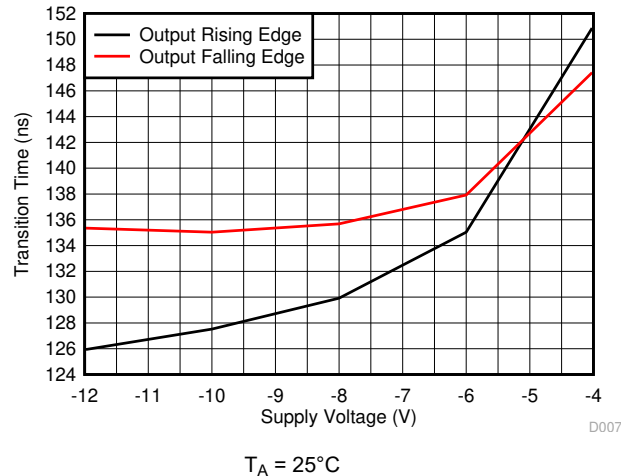


Figure 9-2. No Overshoot When Switching Between Inputs

10 Power Supply Recommendations

The TMUX4157N operates across a wide supply range of -4 V to -12 V. Do not exceed the absolute maximum ratings because stresses beyond the listed ratings can cause permanent damage to the devices.

Power-supply bypassing improves noise margin and prevents switching noise propagation from the V_{SS} supply to other components. Good power-supply decoupling is important to achieve optimum performance. For improved supply noise immunity, use a supply decoupling capacitor ranging from 0.1 μF to 10 μF from V_{SS} to ground. Place the bypass capacitors as close to the power supply pins of the device as possible using low-impedance connections. TI recommends using multi-layer ceramic chip capacitors (MLCCs) that offer low equivalent series resistance (ESR) and inductance (ESL) characteristics for power-supply decoupling purposes. For very sensitive systems, or for systems in harsh noise environments, avoiding the use of vias for connecting the capacitors to the device pins may offer superior noise immunity. The use of multiple vias in parallel lowers the overall inductance and is beneficial for connections to ground planes.

11 Layout

11.1 Layout Guidelines

When a PCB trace turns a corner at a 90° angle, a reflection can occur. A reflection primarily occurs because the width of the trace changes. At the apex of the turn, the trace width increases to 1.414 times its width. This increase upsets the transmission-line characteristics, especially the distributed capacitance and self-inductance of the trace which results in the reflection. Not all PCB traces can be straight and therefore some traces must turn corners. [Figure 11-1](#) shows progressively better techniques of rounding corners. Only the last example (BEST) maintains constant trace width and minimizes reflections.

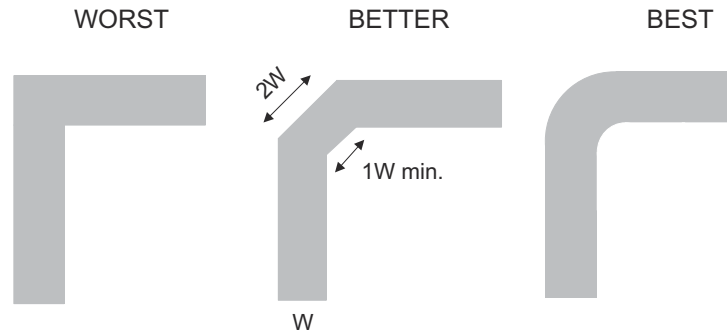


Figure 11-1. Trace Example

Route high-speed signals using a minimum of vias and corners which reduces signal reflections and impedance changes. When a via must be used, increase the clearance size around it to minimize its capacitance. Each via introduces discontinuities in the signal's transmission line and increases the chance of picking up interference from the other layers of the board. Be careful when designing test points, through-hole pins are not recommended at high frequencies.

[Figure 11-2](#) illustrates an example of a PCB layout with the TMUX4157N. Some key considerations are:

- Decouple the V_{SS} pin with a 0.1- μF capacitor, placed as close to the pin as possible. Make sure that the capacitor voltage rating is sufficient for the V_{SS} supply.
- Keep the input lines as short as possible.
- Use a solid ground plane to help reduce electromagnetic interference (EMI) noise pickup.
- Do not run sensitive analog traces in parallel with digital traces. Avoid crossing digital and analog traces if possible, and only make perpendicular crossings when necessary.

11.2 Layout Example

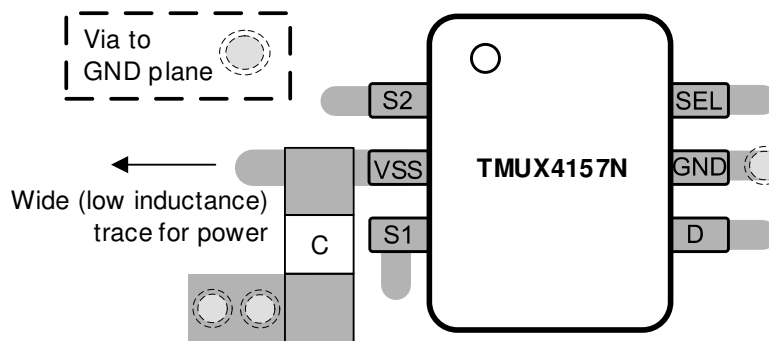


Figure 11-2. TMUX4157N Layout Example

12 Device and Documentation Support

12.1 Documentation Support

12.1.1 Related Documentation

- Texas Instruments, [Eliminate Power Sequencing with Powered-off Protection Signal Switches application brief](#).
- Texas Instruments, [Improve Stability Issues with Low CON Multiplexers application brief](#).
- Texas Instruments, [Simplifying Design with 1.8 V logic Muxes and Switches application brief](#).
- Texas Instruments, [System-Level Protection for High-Voltage Analog Multiplexers application report](#).

12.2 Receiving Notification of Documentation Updates

To receive notification of documentation updates, navigate to the device product folder on ti.com. In the upper right corner, click on *Alert me* to register and receive a weekly digest of any product information that has changed. For change details, review the revision history included in any revised document.

12.3 Support Resources

TI E2E™ [support forums](#) are an engineer's go-to source for fast, verified answers and design help — straight from the experts. Search existing answers or ask your own question to get the quick design help you need.

Linked content is provided "AS IS" by the respective contributors. They do not constitute TI specifications and do not necessarily reflect TI's views; see TI's [Terms of Use](#).

12.4 Trademarks

TI E2E™ is a trademark of Texas Instruments.

All trademarks are the property of their respective owners.

12.5 Electrostatic Discharge Caution



This integrated circuit can be damaged by ESD. Texas Instruments recommends that all integrated circuits be handled with appropriate precautions. Failure to observe proper handling and installation procedures can cause damage.

ESD damage can range from subtle performance degradation to complete device failure. Precision integrated circuits may be more susceptible to damage because very small parametric changes could cause the device not to meet its published specifications.

12.6 Glossary

[TI Glossary](#) This glossary lists and explains terms, acronyms, and definitions.

13 Mechanical, Packaging, and Orderable Information

The following pages include mechanical, packaging, and orderable information. This information is the most current data available for the designated devices. This data is subject to change without notice and revision of this document. For browser-based versions of this data sheet, refer to the left-hand navigation.

PACKAGING INFORMATION

Orderable Device	Status (1)	Package Type	Package Drawing	Pins	Package Qty	Eco Plan (2)	Lead finish/ Ball material (6)	MSL Peak Temp (3)	Op Temp (°C)	Device Marking (4/5)	Samples
TMUX4157NDCKR	ACTIVE	SC70	DCK	6	3000	RoHS & Green	NIPDAU	Level-1-260C-UNLIM	-55 to 125	111	Samples

(1) The marketing status values are defined as follows:

ACTIVE: Product device recommended for new designs.

LIFEBUY: TI has announced that the device will be discontinued, and a lifetime-buy period is in effect.

NRND: Not recommended for new designs. Device is in production to support existing customers, but TI does not recommend using this part in a new design.

PREVIEW: Device has been announced but is not in production. Samples may or may not be available.

OBSOLETE: TI has discontinued the production of the device.

(2) **RoHS:** TI defines "RoHS" to mean semiconductor products that are compliant with the current EU RoHS requirements for all 10 RoHS substances, including the requirement that RoHS substance do not exceed 0.1% by weight in homogeneous materials. Where designed to be soldered at high temperatures, "RoHS" products are suitable for use in specified lead-free processes. TI may reference these types of products as "Pb-Free".

RoHS Exempt: TI defines "RoHS Exempt" to mean products that contain lead but are compliant with EU RoHS pursuant to a specific EU RoHS exemption.

Green: TI defines "Green" to mean the content of Chlorine (Cl) and Bromine (Br) based flame retardants meet JS709B low halogen requirements of <=1000ppm threshold. Antimony trioxide based flame retardants must also meet the <=1000ppm threshold requirement.

(3) MSL, Peak Temp. - The Moisture Sensitivity Level rating according to the JEDEC industry standard classifications, and peak solder temperature.

(4) There may be additional marking, which relates to the logo, the lot trace code information, or the environmental category on the device.

(5) Multiple Device Markings will be inside parentheses. Only one Device Marking contained in parentheses and separated by a "-" will appear on a device. If a line is indented then it is a continuation of the previous line and the two combined represent the entire Device Marking for that device.

(6) Lead finish/Ball material - Orderable Devices may have multiple material finish options. Finish options are separated by a vertical ruled line. Lead finish/Ball material values may wrap to two lines if the finish value exceeds the maximum column width.

Important Information and Disclaimer:The information provided on this page represents TI's knowledge and belief as of the date that it is provided. TI bases its knowledge and belief on information provided by third parties, and makes no representation or warranty as to the accuracy of such information. Efforts are underway to better integrate information from third parties. TI has taken and continues to take reasonable steps to provide representative and accurate information but may not have conducted destructive testing or chemical analysis on incoming materials and chemicals. TI and TI suppliers consider certain information to be proprietary, and thus CAS numbers and other limited information may not be available for release.

In no event shall TI's liability arising out of such information exceed the total purchase price of the TI part(s) at issue in this document sold by TI to Customer on an annual basis.

TAPE AND REEL INFORMATION



QUADRANT ASSIGNMENTS FOR PIN 1 ORIENTATION IN TAPE



*All dimensions are nominal

Device	Package Type	Package Drawing	Pins	SPQ	Reel Diameter (mm)	Reel Width W1 (mm)	A0 (mm)	B0 (mm)	K0 (mm)	P1 (mm)	W (mm)	Pin1 Quadrant
TMUX4157NDCKR	SC70	DCK	6	3000	178.0	9.0	2.4	2.5	1.2	4.0	8.0	Q3

TAPE AND REEL BOX DIMENSIONS



*All dimensions are nominal

Device	Package Type	Package Drawing	Pins	SPQ	Length (mm)	Width (mm)	Height (mm)
TMUX4157NDCKR	SC70	DCK	6	3000	180.0	180.0	18.0

DCK (R-PDSO-G6)

PLASTIC SMALL-OUTLINE PACKAGE



- NOTES:
- A. All linear dimensions are in millimeters.
 - B. This drawing is subject to change without notice.
 - C. Body dimensions do not include mold flash or protrusion. Mold flash and protrusion shall not exceed 0.15 per side.
 - D. Falls within JEDEC MO-203 variation AB.

IMPORTANT NOTICE AND DISCLAIMER

TI PROVIDES TECHNICAL AND RELIABILITY DATA (INCLUDING DATASHEETS), DESIGN RESOURCES (INCLUDING REFERENCE DESIGNS), APPLICATION OR OTHER DESIGN ADVICE, WEB TOOLS, SAFETY INFORMATION, AND OTHER RESOURCES "AS IS" AND WITH ALL FAULTS, AND DISCLAIMS ALL WARRANTIES, EXPRESS AND IMPLIED, INCLUDING WITHOUT LIMITATION ANY IMPLIED WARRANTIES OF MERCHANTABILITY, FITNESS FOR A PARTICULAR PURPOSE OR NON-INFRINGEMENT OF THIRD PARTY INTELLECTUAL PROPERTY RIGHTS.

These resources are intended for skilled developers designing with TI products. You are solely responsible for (1) selecting the appropriate TI products for your application, (2) designing, validating and testing your application, and (3) ensuring your application meets applicable standards, and any other safety, security, or other requirements. These resources are subject to change without notice. TI grants you permission to use these resources only for development of an application that uses the TI products described in the resource. Other reproduction and display of these resources is prohibited. No license is granted to any other TI intellectual property right or to any third party intellectual property right. TI disclaims responsibility for, and you will fully indemnify TI and its representatives against, any claims, damages, costs, losses, and liabilities arising out of your use of these resources.

TI's products are provided subject to TI's Terms of Sale (<https://www.ti.com/legal/termsofsale.html>) or other applicable terms available either on [ti.com](https://www.ti.com) or provided in conjunction with such TI products. TI's provision of these resources does not expand or otherwise alter TI's applicable warranties or warranty disclaimers for TI products.

Mailing Address: Texas Instruments, Post Office Box 655303, Dallas, Texas 75265
Copyright © 2021, Texas Instruments Incorporated