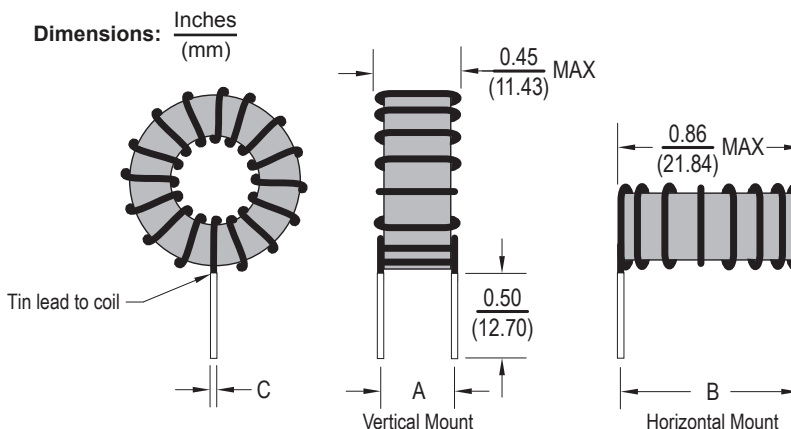
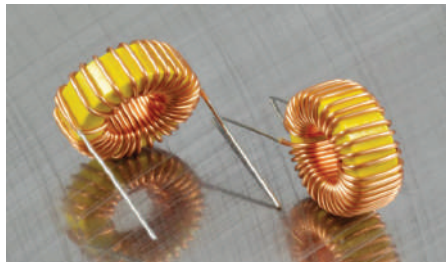




Toroidal Chokes High Temp

TC210HT



| Allied Part Number | Inductance (μH) @ 1KHZ | Tolerance (%) | L(μH) @ I rated | IDC (A) | DCR (Ω) MAX | DIM A (Nom) | DIM B (Nom) | DIM C (Nom) |
|--------------------|------------------------|---------------|-----------------|---------|-------------|-------------|-------------|-------------|
| ()TC210HT-1R0L-RC | 1.0 | 15 | 0.8 | 21.7 | .003 | .34 | .77 | .053 |
| ()TC210HT-1R5L-RC | 1.5 | 15 | 1.2 | 19.8 | .003 | .34 | .77 | .053 |
| ()TC210HT-2R2L-RC | 2.2 | 15 | 1.8 | 18.3 | .004 | .34 | .77 | .053 |
| ()TC210HT-2R7L-RC | 2.7 | 15 | 2.1 | 17.1 | .004 | .34 | .77 | .053 |
| ()TC210HT-3R3L-RC | 3.3 | 15 | 2.6 | 16.1 | .005 | .34 | .77 | .053 |
| ()TC210HT-3R9L-RC | 3.9 | 15 | 3.0 | 15.3 | .005 | .34 | .77 | .053 |
| ()TC210HT-4R7L-RC | 4.7 | 15 | 3.5 | 14.9 | .006 | .34 | .77 | .053 |
| ()TC210HT-5R6L-RC | 5.6 | 15 | 4.1 | 14.3 | .006 | .34 | .77 | .053 |
| ()TC210HT-6R8L-RC | 6.8 | 15 | 4.9 | 13.7 | .006 | .34 | .77 | .053 |
| ()TC210HT-8R2L-RC | 8.2 | 15 | 5.9 | 13.2 | .007 | .34 | .77 | .053 |
| ()TC210HT-100L-RC | 10 | 15 | 7.6 | 9.9 | .012 | .33 | .76 | .042 |
| ()TC210HT-120L-RC | 12 | 15 | 9.0 | 9.6 | .013 | .33 | .76 | .042 |
| ()TC210HT-150L-RC | 15 | 15 | 11.0 | 9.1 | .014 | .33 | .76 | .042 |
| ()TC210HT-180L-RC | 18 | 15 | 13.0 | 8.6 | .016 | .33 | .76 | .042 |
| ()TC210HT-220L-RC | 22 | 15 | 16.6 | 6.7 | .026 | .32 | .75 | .034 |
| ()TC210HT-270L-RC | 27 | 15 | 20.1 | 6.4 | .028 | .32 | .75 | .034 |
| ()TC210HT-330L-RC | 33 | 15 | 24.0 | 6.1 | .031 | .35 | .79 | .034 |
| ()TC210HT-390L-RC | 39 | 15 | 28.0 | 5.9 | .033 | .35 | .79 | .034 |
| ()TC210HT-470L-RC | 47 | 15 | 33.1 | 5.6 | .036 | .35 | .79 | .034 |
| ()TC210HT-560L-RC | 56 | 15 | 38.5 | 5.3 | .040 | .35 | .79 | .034 |
| ()TC210HT-680L-RC | 68 | 15 | 46.0 | 5.1 | .044 | .35 | .79 | .034 |
| ()TC210HT-820L-RC | 82 | 15 | 54.0 | 4.8 | .049 | .35 | .79 | .034 |
| ()TC210HT-101L-RC | 100 | 15 | 64.5 | 4.6 | .053 | .35 | .79 | .034 |
| ()TC210HT-121L-RC | 120 | 15 | 84.4 | 3.5 | .094 | .34 | .77 | .027 |
| ()TC210HT-151L-RC | 150 | 15 | 102.8 | 3.3 | .110 | .34 | .77 | .027 |
| ()TC210HT-181L-RC | 180 | 15 | 120.7 | 3.1 | .120 | .34 | .77 | .027 |
| ()TC210HT-221L-RC | 220 | 15 | 144.2 | 3.0 | .130 | .35 | .79 | .027 |
| ()TC210HT-271L-RC | 270 | 15 | 172.6 | 2.8 | .140 | .35 | .79 | .027 |
| ()TC210HT-331L-RC | 330 | 15 | 206.0 | 2.7 | .160 | .35 | .79 | .027 |
| ()TC210HT-391L-RC | 390 | 15 | 266.7 | 2.1 | .270 | .33 | .76 | .022 |
| ()TC210HT-471L-RC | 470 | 15 | 314.4 | 2.0 | .290 | .35 | .79 | .022 |
| ()TC210HT-561L-RC | 560 | 15 | 366.9 | 1.9 | .320 | .35 | .79 | .022 |
| ()TC210HT-680L-RC | 680 | 15 | 435.1 | 1.8 | .350 | .35 | .79 | .022 |
| ()TC210HT-821L-RC | 820 | 15 | 512.0 | 1.7 | .390 | .37 | .81 | .022 |
| ()TC210HT-102L-RC | 1000 | 15 | 608.2 | 1.6 | .430 | .37 | .81 | .022 |

Features

- High Temperature rating up to 200°C
- Low Magnetic Radiation
- Low Core Loss
- High current capacity up to 21A
- Available in Horizontal or Vertical configuration

Electrical

Inductance Range: 1.0μh to 1000μh
 Additional values available
Tolerance: 15% over entire range
Test Frequency: 1KHz
Operating Temp: -55°C ~ +200°C
Temp Rise: Δ T=30°C Typical at rated IDC

Test Equipment

(L): 100 LCR meter or equivalent
DCR: Chen Hwa 502

Physical

Packaging: Bulk
Marking: None

Please specify Vertical or Horizontal Mount by placing a V or H at the beginning of the part number, i.e. VTC210HT-100L (Vertical Mount). All specifications subject to change without notice.