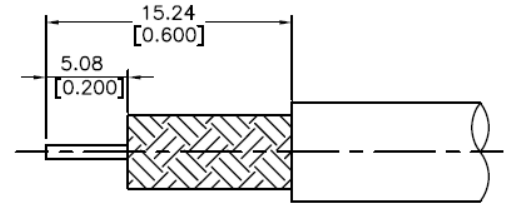


**NOTICE OF PROPRIETARY RIGHTS** THIS DOCUMENT CONTAINS CONFIDENTIAL TECHNICAL DATA, INCLUDING TRADE SECRETS, PROPRIETARY TO TIMES MICROWAVE SYSTEMS. DISCLOSURE OF THIS DATA IS EXPRESSLY CONDITIONED UPON YOUR ASSENT THAT ITS USE IS LIMITED TO USE WITHIN YOUR COMPANY ONLY. ANY OTHER USE IS STRICTLY PROHIBITED WITHOUT THE PRIOR WRITTEN CONSENT OF TIMES MICROWAVE SYSTEMS.

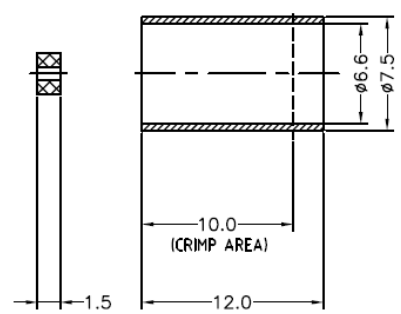
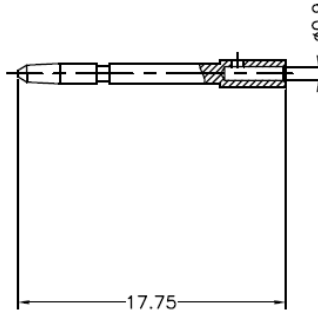
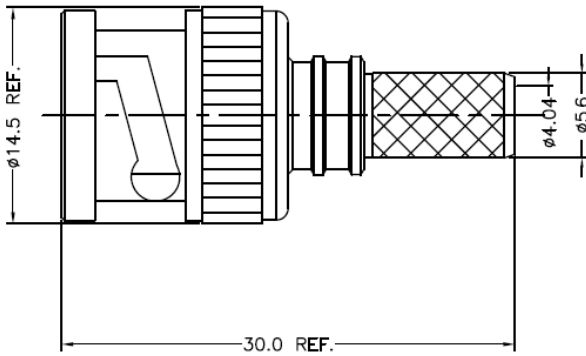
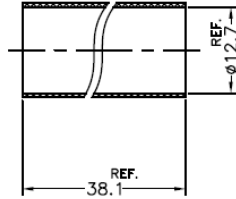
SYM	REVISION DESCRIPTION	DFTM	DATE	APPD	DATE
A	RELEASED FOR PRODUCTION	N. N. N	10/29/13	J. D. B.	10/30/13

**REMARKS:**

- CENTER PIN IS SOLDERED.
- CRIMP FERRULE HEX. CRIMP SIZE .255"



RECOMMENDED CABLE STRIPPING DIM'S



MATERIALS AND PLATING		UNIT: MICRO-INCHES
BODY	BRASS C3604	ALBALOY 80u"/COPPER
CONTACT PIN	BRASS C3604	GOLD 50u"/NICKEL/COPPER
INSULATOR	TEFLON MIL-P-19468	NATURAL
GASKET	SILICONE	RED
FERRULE	BRASS	ALBALOY 80u"/COPPER

ELECTRICAL CHARACTERISTICS	
Impedance	75 Ω
Voltage rating	500V(rms)
Frequency range	0~4GHz
Dielectric withstanding voltage	1000V
Contact resistance	Center contact: ≤3mΩ Outer contact: ≤2mΩ
Insulation resistance	≥5000MΩ
Insertion loss	0.1 x √Fghz
RF-leakage	N/A
VSWR	1.20 MAX.@0-2 GHz
3rd Intermodulation	N/A

MECHANICAL CHARACTERISTICS	
Force to engage and disengage	N/A
Center contact retention force	N/A
Coupling torque	N/A
Bayonet coupling retention force	60 lbs Min.
Durability	≥ 500 cycles

ENVIRONMENTAL CHARACTERISTICS	
Temperature range	-55°C- +125°C
Vibration	MIL-STD-202,Method 204,Cond B
Shock	MIL-STD-202,Method 213,Cond G
Corrosion	MIL-STD-202,Method 101,Cond B

MATL:	UNLESS OTHERWISE SPECIFIED	DFTM. N. N. N	TIMES MICROWAVE SYSTEMS				
		DATE 10/29/13					
USED ON: O-1	ALL DIMENSIONS ARE IN mm MACHINED SURFACES FINISH N/A RMS MAX. REMOVE ALL BURRS N/A MAX. BREAK MACHINE CORNERS N/A MAX. FILLET R. TOLERANCES ON DECIMALS .XX ± N/A .XXX ± N/A ANGLES ± N/A FRACTIONS ± N/A	CHKD. J. D. B.	<b>TC-240-BM-75-X</b> BNCM for LMR-240-75				
		DATE 10/30/13					
		APPD. J. D. B.					
SCALE: N/A	DWG. SIZE A	DO NOT SCALE DRAWING	CODE IDENT 68999	DATE 10/30/13	SHT 1 of 1	SD3190-2939	REV A