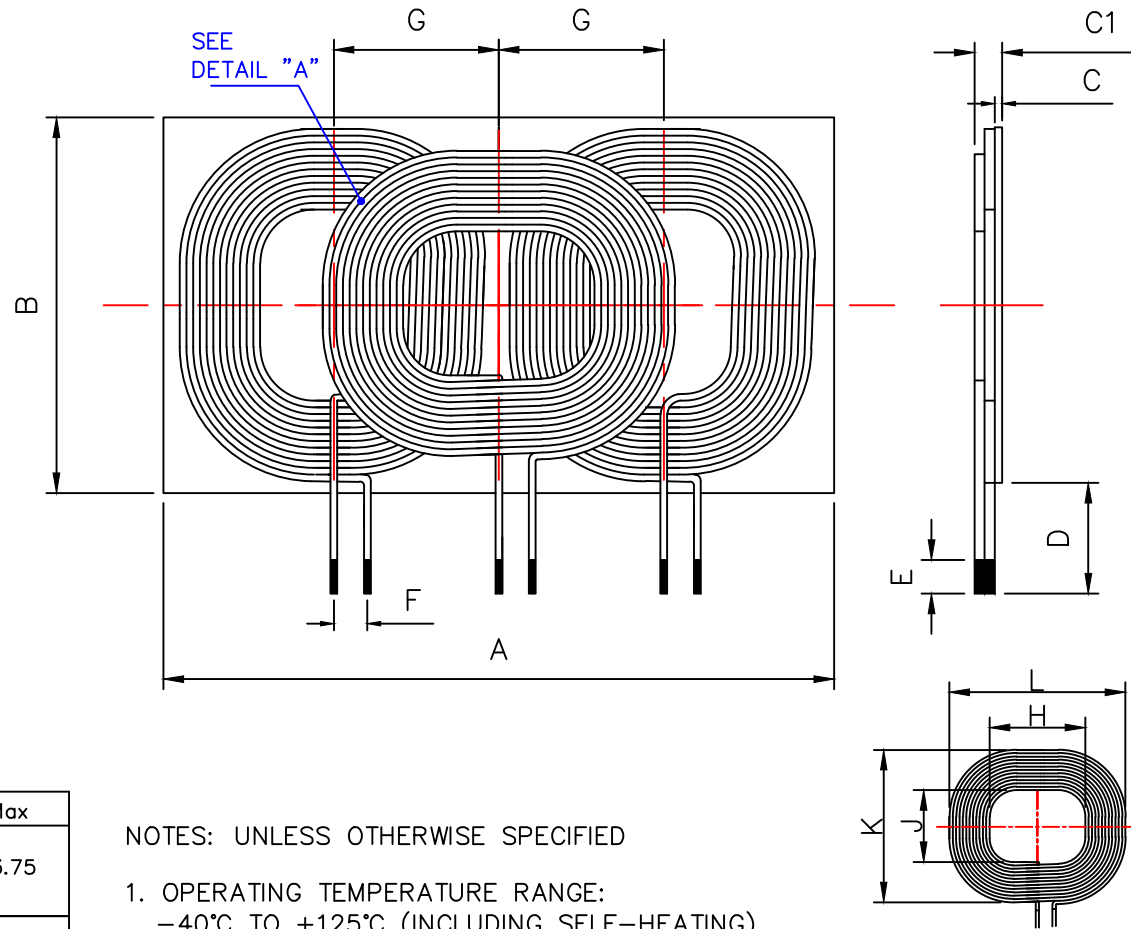


**PHYSICAL DIMENSIONS:**

A	100.00	±	1.50
B	56.00	±	0.80
C	1.10	±	0.10
C1	4.50		Max.
D	15.00		Min.
E	5.00	±	2.00
F	5.00		Ref.
G	24.60		Ref.
H	27.50	±	0.50
J	19.50	±	0.50
K	45.20	±	1.00
L	53.20	±	1.00



**ELECTRICAL SPECIFICATION @ 25°C**

	Min	Nom	Max
INDUCTANCE (uH) (BOTTOM COIL) L @ 150KHz/1V ±10%	11.25	12.50	13.75
INDUCTANCE (uH) (TOP COIL) L @ 150KHz/1V ±10%	10.35	11.50	12.65
DCR (mΩ)			65
Q	90		

**NOTES: UNLESS OTHERWISE SPECIFIED**

1. OPERATING TEMPERATURE RANGE:  
-40°C TO +125°C (INCLUDING SELF-HEATING).
2. STORAGE TEMPERATURE RANGE (PACKAGING CONDITIONS) : **DETAIL "A"**  
-10°C TO +40°C AND RH 70% (MAX.)
3. COIL: USTC LITZ WIRE 0.08X105 STRANDS, 12Ts.



DIMENSIONS ARE IN .				This print is the property of Laird Tech. and is loaned in confidence subject to return upon request and with the understanding that no copies shall be made without the written consent of Laird Tech. All rights to design or invention are reserved.				
				PROJECT/PART NUMBER:				REV
				SWC10056AA120-500		B		QIU
B	CHANGE COIL DIMENSIONS	11/19/14	QIU	DATE:	04/29/14	SCALE:	1 : 1	MATERIAL:
A	ORIGINAL DRAFT	04/29/14	QIU	CAD #	SWC10056AA120-500-B	TOOL #		
REV	DESCRIPTION	DATE	INT					