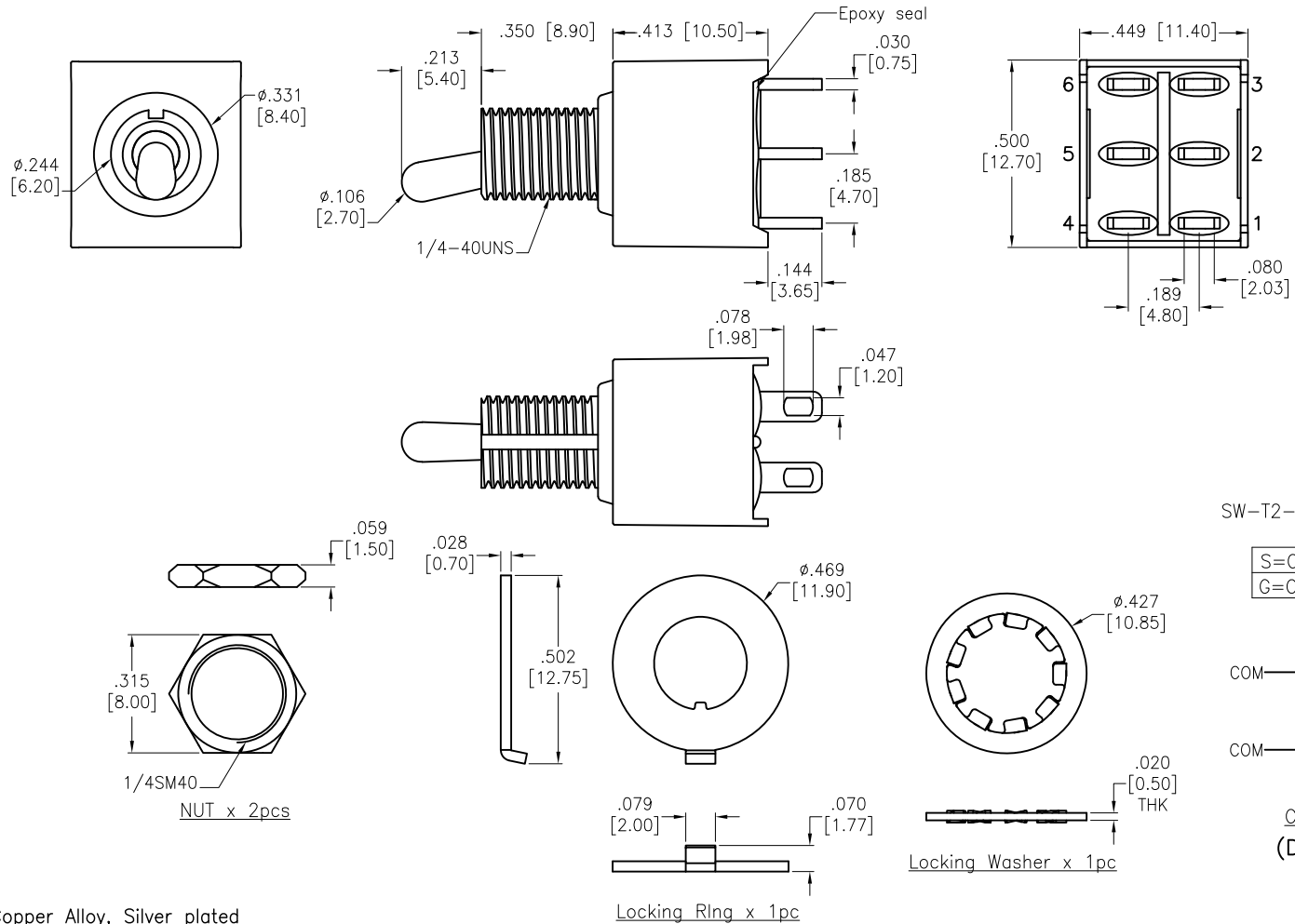


Rev	AWO #	Description	Date	Apr
-		RELEASED	9/27/21	

APPROVED: \_\_\_\_\_

DATE: \_\_\_\_\_ TITLE: \_\_\_\_\_



**SPECIFICATIONS:**

Material:  
Movable contact: Copper Alloy, Silver plated  
Terminals: Silver plated with outer layer in Gold plating  
Electrical:  
Rating: 5 Amps with resistive load @ 125VAC or 28VDC  
2 Amps with resistive load @ 250VAC  
Contact resistance: 10 mohms max initial  
Insulation resistance: 1,000 Mohms min  
Dielectric withstanding voltage: 1,500V RMS @ sea level  
Electrical life: 50,000 make and break cycles at full load  
Temperature Rating:  
Operating temperature: -30°C to +85°C  
Environmental:  
IP Class: IP67  
Lead free, RoHS compliant



UNLESS OTHERWISE SPECIFIED ALL DIMENSIONS ARE INCHES [MM]. TOLERANCES: EXCEPT AS NOTED

INCHES		HOLES	
.X	± .10	ØX	± .10
.XX	± .020	ØXX	± .015
.XXX	± .015	ØXXX	± .010

**ADAM TECH**

909 Rahway Avenue,  
Union, NJ 07083  
Phone: 908-687-5000  
Fax: 908-687-5710

DRAWN	JJ	9/27/21
CHECKED	RC	9/27/21
APPROVED		

TITLE  
**MINIATURE TOGGLE SWITCH,  
DPDT, ON-ON, SOLDER TYPE**

THIS DRAWING CONTAINS INFORMATION THAT IS PROPRIETARY AND SHOULD NOT BE USED WITHOUT PRIOR WRITTEN PERMISSION FROM ADAM TECH

SIZE	PART NO.	REV.
X	SW-T2-4B-A-T2-X-03	-
REF:	S00198T	SCALE: NTS SHEET 1 OF 1