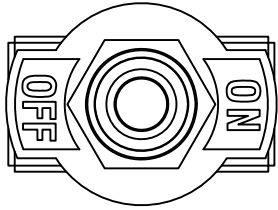


APPROVED: _____

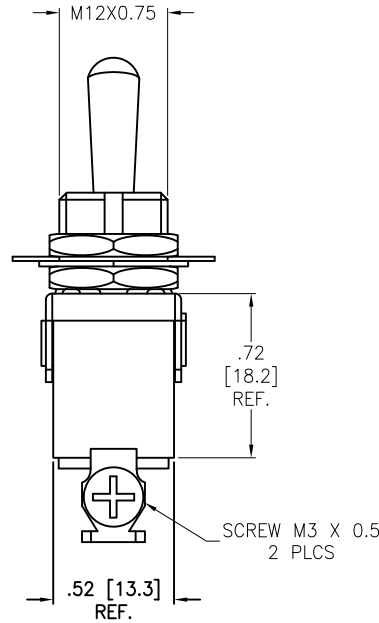
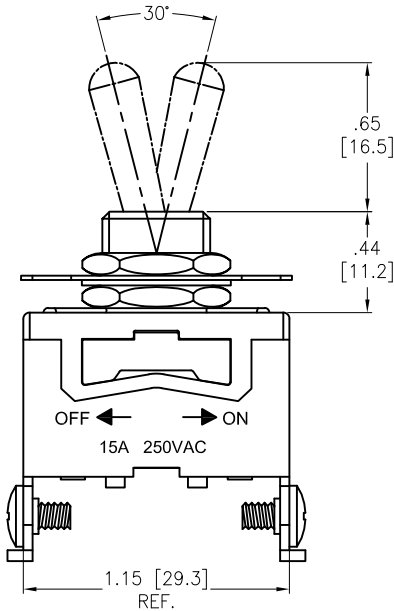
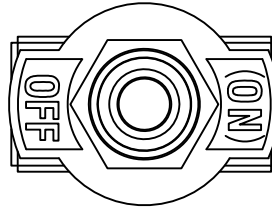
DATE: _____ TITLE: _____

Rev	AWO #	Description	Date	Appr
-		RELEASED	11/11/20	
A		UPDATE SPEC.	8/10/21	WX/RC
B		UPDATE SPEC.	10/19/21	JJ/RC
C		UPDATED DRAWING	6/21/22	JJ/MC
D		UPDATED COLOR	11/22/22	LH/LL1

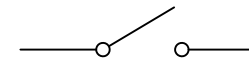
SW-T1-1A-D-K1



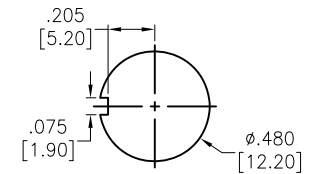
SW-T1-1C-D-K1



SW-T1-1X-D-K1
 A=ON-OFF
 C=OFF-(ON)



CIRCUIT DIAGRAM
(SPST)



RECOMMENDED
PANEL CUT-OUT

SPECIFICATIONS:

Material:
 Body: Bakelite, Color: Red Brown \triangle
 Lever: Brass, Nickel plated
 Terminal: Brass, Silver plated
 Electrical:
 Rating: 15A @ 250V AC
 Contact resistance: 50 m Ω max
 Insulation resistance: 1000 M Ω min (500V DC)
 Dielectric withstanding voltage: 1500V AC for 1 minute
 Electrical Life: 10,000 cycles
 Temperature Rating:
 Operating temperature: -25°C to +85°C
 Environmental:
 Lead free, RoHS compliant

UNLESS OTHERWISE SPECIFIED ALL DIMENSIONS ARE INCHES [MM]. TOLERANCES: EXCEPT AS NOTED

INCHES		HOLES	
.x	±.10	Ø.x	±.10
.xx	±.020	Ø.xx	±.015
.xxx	±.015	Ø.xxx	±.010

ADAM TECH

909 Rahway Avenue,
 Union, NJ 07083
 Phone: 908-687-5000
 Fax: 908-687-5710

DRAWN	OW	11/11/20
CHECKED	AC	11/11/20
APPROVED		

TITLE SWITCH, TOGGLE MEDIUM, SPST, ON-OFF, OFF-(ON), SCREW LUG

THIS DRAWING CONTAINS INFORMATION THAT IS PROPRIETARY AND SHOULD NOT BE USED WITHOUT PRIOR WRITTEN PERMISSION FROM ADAM TECH

SIZE X	PART NO. SW-T1-1X-D-K1	REV. D
REF: S00206C	SCALE: NTS	SHEET 1 OF 1