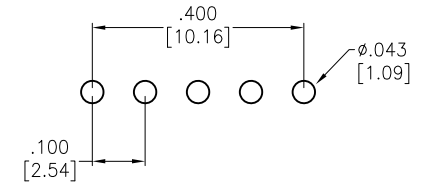
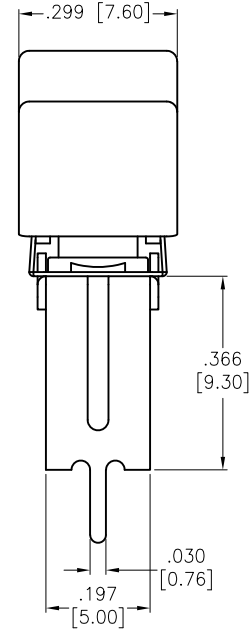
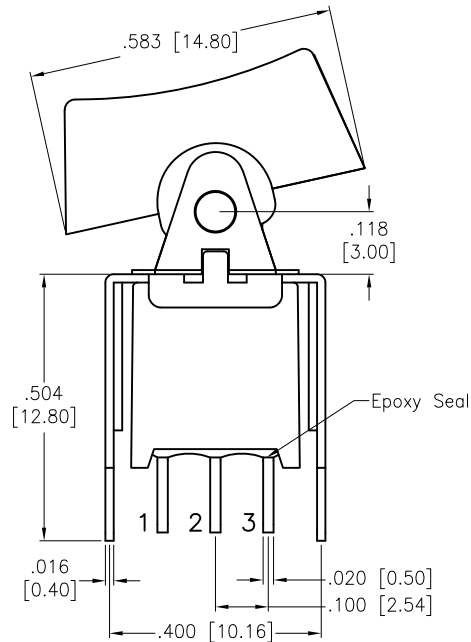
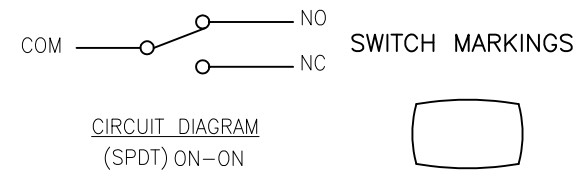
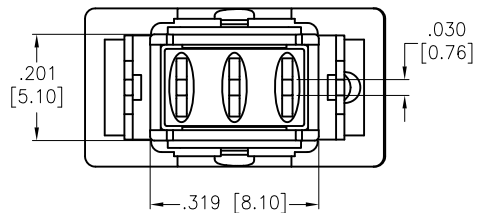


APPROVED: _____
 DATE: _____ TITLE: _____

| Rev | AWO # | Description | Date | Appr |
|-----|-------|--------------|----------|-------|
| - | | RELEASED | 12/22/20 | |
| A | | UPDATE TITLE | 6/25/21 | WX/RC |



RECOMMENDED PCB LAYOUT



SPECIFICATIONS:

Material:
 Movable contact: Copper Alloy, Gold over Nickel Plated
 Terminals: Copper Alloy, Gold over Nickel Plated
 Cap Actuator: Plastic, color Black
 Electrical:
 Rating: 0.4 VA max @20V max (AC or DC)
 Contact resistance: 20 mohms max initial
 Insulation resistance: 1,000 Mohms min
 Dielectric withstanding voltage: 1,500V RMS @ sea level
 Electrical life: 30,000 make and break cycles at full load
 Temperature Rating:
 Operating temperature: -30°C to +85°C
 Environmental:
 IP Class: IP67
 Lead free, RoHS compliant



| | | | |
|---|-------------------------------|---|--|
| UNLESS OTHERWISE SPECIFIED ALL DIMENSIONS ARE INCHES [MM] TOLERANCES: EXCEPT AS NOTED INCHES HOLES .X ± .10 Ø.X ± .10 .XX ± .020 Ø.XX ± .015 .XXX ± .015 Ø.XXX ± .010 | | ADAM TECH 909 Rahway Avenue, Union, NJ 07083 Phone: 908-687-5000 Fax: 908-687-5710 | |
| APPROVALS DRAWN LH CHECKED AC APPROVED | | DATE 12/22/20 12/22/20 | |
| TITLE SUB-MINIATURE ROCKER SWITCH, SPDT, ON-ON, PCB VERTICAL MOUNTING TYPE | | | |
| SIZE X | PART NO. SW-R3-2B-B-5-G-14 | REV. A | |
| REF: S00198T | SCALE: NTS | SHEET 1 OF 1 | |