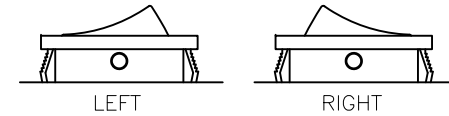
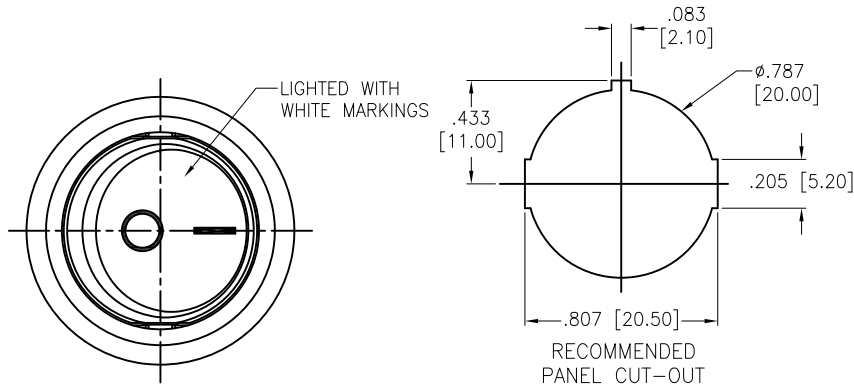


APPROVED: _____

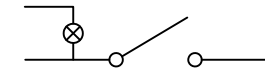
DATE: _____ TITLE: _____

| Rev | AWO # | Description | Date | Appr |
|-----|-------|--------------|----------|-------|
| - | | RELEASED | 11/18/21 | |
| A | | UPDATE SPEC. | 5/27/22 | WX/MC |

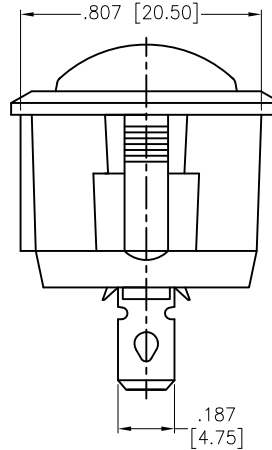
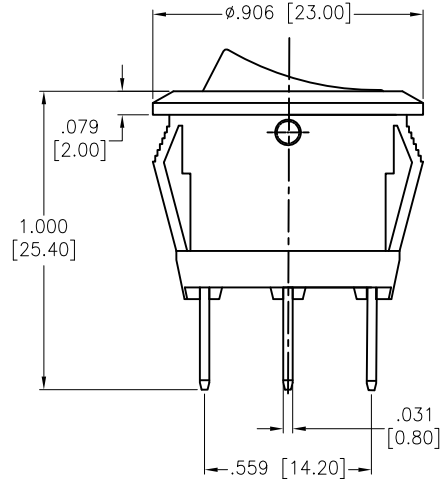


LEFT

RIGHT



CIRCUIT DIAGRAM
(SPST) ON-OFF



SW-R2-1A-F-LXXX-5

| | Lighted Actuator |
|---|------------------------|
| W | Lighted White |
| R | Lighted Red |
| G | Lighted Green |
| Y | Lighted Yellow (Amber) |
| B | Lighted Blue |

| | Actuator Markings |
|---|-------------------|
| 1 | |
| 2 | |
| 3 | |
| 4 | |
| 5 | |

| | LED Voltage | |
|---|-------------|--|
| 1 | 3V | |
| 2 | 6V | |
| 3 | 12V | |
| 4 | 24V | |
| 5 | 48V | |
| 6 | 110V | |
| 7 | 220V | |

Replace "x" in P/N with the corresponding switch color and marking

SPECIFICATIONS:

Material:

Body: Nylon 66, Color Black, Rated UL 94V-0

Terminal: Brass, Silver plated

LED Terminal: Bare copper

Button: Nylon 66, Lighted color (See Chart). White color markings

Electrical:

The rated load: 250V AC, 6A

125V AC, 10A

Contact resistance: 50 mohms max

Insulation resistance: 100 Mohms min

Dielectric withstanding voltage: 1500 VAC/5S min

Mechanical:

Electrical life: 10000 Cycles min

Temperature Rating:

Operating temperature: -25°C to +85°C

Environmental:

Lead free, RoHS compliant



UNLESS OTHERWISE SPECIFIED ALL DIMENSIONS ARE INCHES [MM]. TOLERANCES: EXCEPT AS NOTED

| INCHES | | HOLES | |
|--------|--------|-------|--------|
| .x | ± .10 | Øx | ± .10 |
| .xx | ± .020 | Øxx | ± .015 |
| .xxx | ± .015 | Øxxx | ± .010 |

| | | |
|----------|----|----------|
| DRAWN | JJ | 11/18/21 |
| CHECKED | RC | 11/18/21 |
| APPROVED | | |

THIS DRAWING CONTAINS INFORMATION THAT IS PROPRIETARY AND SHOULD NOT BE USED WITHOUT PRIOR WRITTEN PERMISSION FROM ADAM TECH



909 Rahway Avenue,
Union, NJ 07083
Phone: 908-687-5000
Fax: 908-687-5710

TITLE SWITCH, MINIATURE ROCKER
SPST, ON-OFF, QC .187 [4.75MM], LIGHTED

| SIZE | PART NO. | REV. |
|------|-------------------|------|
| X | SW-R2-1A-F-LXXX-5 | A |

REF: S00206C SCALE: NTS SHEET 1 OF 1