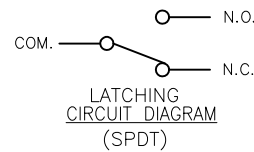
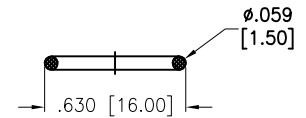
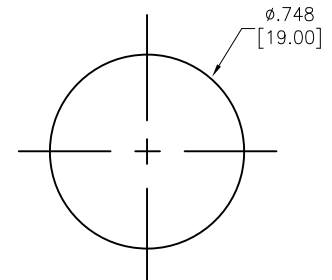
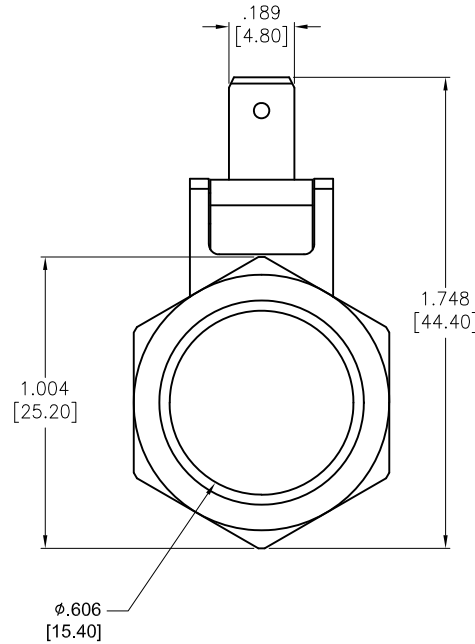
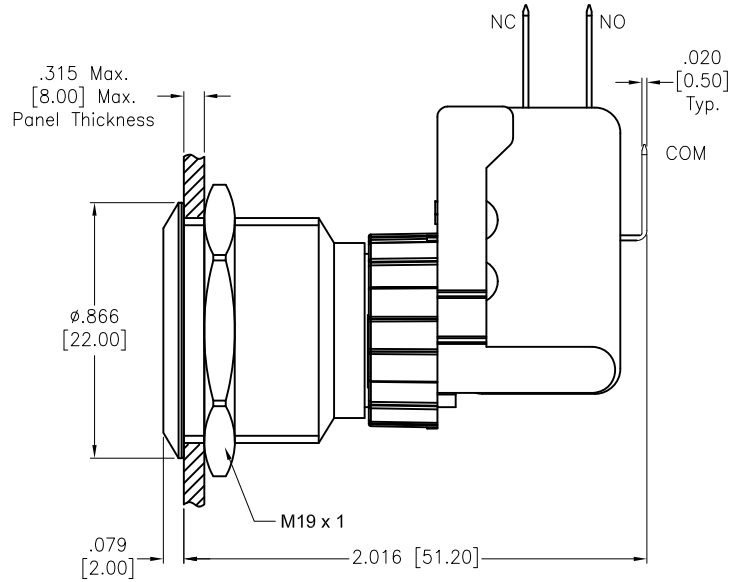


APPROVED: _____
 DATE: _____ TITLE: _____

Rev	AWO #	Description	Date	Appr
-		RELEASED	11/2/21	
A		UPDATE SPEC.	11/12/21	WX/RC



MATERIALS:

1. Bushing & Button: Stainless Steel, Varnish polished
2. Contact: Silver alloy, (4.8mm)
3. Base: POM

SPECIFICATION:

1. Voltage rating: 220V
2. Electrical Life: ≥50,000 cycles.
3. Contact Resistance: ≤50m-ohms.
4. Insulation Resistance: ≥1,000M-ohms.
5. Dielectric Strength: 1,500V,RMS 50Hz, 1min.
6. Operating Temperature: -25°C ~ +55°C (No Freezing).
7. Operating Force: About 4N.
8. Operating Travel: About 2.5mm.
9. Torque: About 0.6Nm max. applied to nut.
10. IP Class: IP65.
11. Terminal Type: Pin Terminal (4.8x0.5mm).
12. Switching Circuit: ON-ON.
13. Counterclockwise rotating the Nut, will remove the parts of operation and switch.
14. Tolerance:



Current Ith Voltage U1	Non electrical inductive load		Inductive load	
	Resistive load	LED load	Inductive load	Electromotor load
AC250	15	2	10	3
DC8	15	4	10	6
DC30	10	4	10	4
DC125	0.6	0.1	0.6	0.1
DC250	0.3	0.05	0.3	0.05

UNLESS OTHERWISE SPECIFIED ALL DIMENSIONS ARE INCHES [MM]. TOLERANCES: EXCEPT AS NOTED

INCHES		HOLES	
.x	± .10	ø.X	± .10
.xx	± .020	ø.XX	± .015
.xxx	± .015	ø.XXX	± .010

DRAWN	JJ	11/2/21
CHECKED	RC	11/2/21
APPROVED		

THIS DRAWING CONTAINS INFORMATION THAT IS PROPRIETARY AND SHOULD NOT BE USED WITHOUT PRIOR WRITTEN PERMISSION FROM ADAM TECH



909 Rahway Avenue,
 Union, NJ 07083
 Phone: 908-687-5000
 Fax: 908-687-5710

TITLE SWITCH, ANTI-VANDAL, PUSH BUTTON, HIGH CURRENT, SPDT, 19mm, LATCHING, ON-ON

SIZE X	PART NO. SW-PB7-06B22FF	REV. A
REF: S00198T	SCALE: NTS	SHEET 1 OF 1