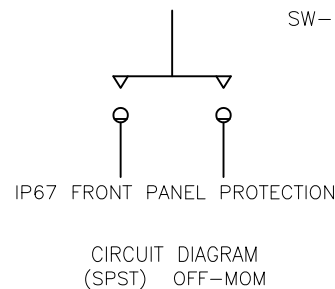
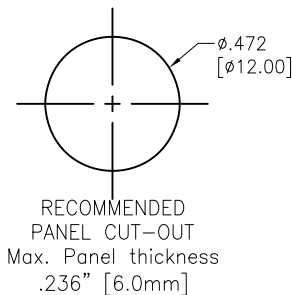
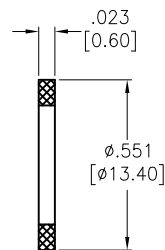
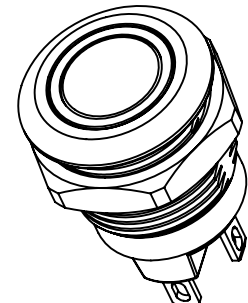
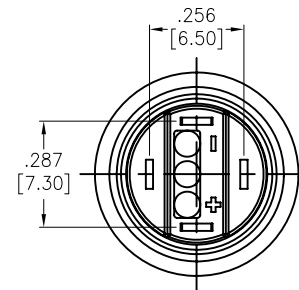
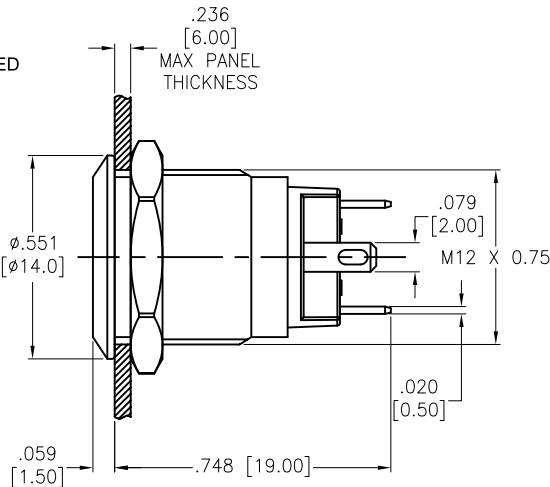
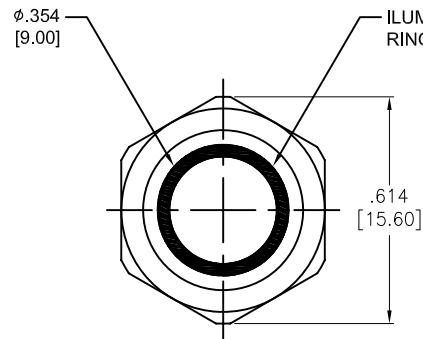


APPROVED: \_\_\_\_\_  
 DATE: \_\_\_\_\_ TITLE: \_\_\_\_\_

Rev	AWO #	Description	Date	Appr
-		RELEASED	11/2/21	



SW-PB7-01LB42BFRXXXXM

LED Ring Color		LED Voltage	
R	Red	6V	6V AC/DC
G	Green	12V	12V AC/DC
Y	Yellow	24V	24V AC/DC
O	Orange	36V	36V AC/DC
B	Blue		
W	White		

**SPECIFICATIONS:**

**Material:**  
 Body: PA, Rated UL94V-0  
 Bushing: Stainless Steel, Varnish polished  
 Button: Stainless Steel, Varnish polished  
 Contact Material: Silver Alloy, (2.0x0.5mm)  
 Terminal: Brass, Silver plated

**Electrical:**  
 Switch Rating: 2A @ 36V DC  
 Contact resistance: 50 mΩ max.  
 Insulation resistance: 1000M ohms min @ 500V DC.  
 Dielectric withstanding voltage: 1500V RMS, 50Hz.  
 Electrical Life: 200,000 cycles min at full load.  
 Led: <=15mA

**Mechanical:**  
 Operating Force: 1.5~2N  
 Operating Travel: 1.5mm  
 Nut Torque: 0.6Nm max.  
 Temperature Rating:  
 Operating temperature: -25°C to +55°C

**Environmental:**  
 IP67 Front Panel Protection  
 Lead free, RoHS compliant



UNLESS OTHERWISE SPECIFIED ALL DIMENSIONS ARE INCHES [MM]. TOLERANCES: EXCEPT AS NOTED					909 Rahway Avenue, Union, NJ 07083							
<table border="1"> <thead> <tr> <th>INCHES</th> <th>HOLES</th> </tr> </thead> <tbody> <tr> <td>.x ± .10</td> <td>Øx ± .10</td> </tr> <tr> <td>.xx ± .020</td> <td>Øxx ± .015</td> </tr> <tr> <td>.xxx ± .015</td> <td>Øxxx ± .010</td> </tr> </tbody> </table>					INCHES	HOLES	.x ± .10	Øx ± .10	.xx ± .020	Øxx ± .015	.xxx ± .015	Øxxx ± .010
INCHES	HOLES											
.x ± .10	Øx ± .10											
.xx ± .020	Øxx ± .015											
.xxx ± .015	Øxxx ± .010											
DRAWN			WX		11/2/21							
CHECKED			RC		11/2/21							
APPROVED												
THIS DRAWING CONTAINS INFORMATION THAT IS PROPRIETARY AND SHOULD NOT BE USED WITHOUT PRIOR WRITTEN PERMISSION FROM ADAM TECH			TITLE		SWITCH, ANTI-VANDAL, PUSH BUTTON, SPST, 12mm, LIGHTED RING, OFF-MOM							
SIZE		PART NO.		REV.								
X		SW-PB7-01LB42BFRXXXXM		-								
REF: S00198T		SCALE: NTS		SHEET 1 OF 1								