

For Non-Isolated Off-Line PWM Controllers with Integrated Power MOSFET STR5A45xD Series



Data Sheet

Description

The STR5A45xD Series is power ICs for switching power supplies, incorporating a MOSFET and a current mode PWM controller IC for non-isolated Buck converter and Inverting converter topologies.

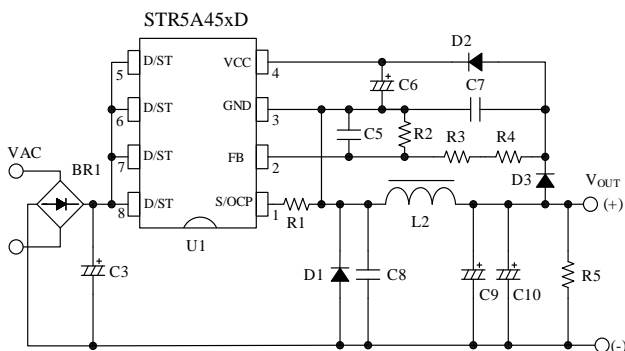
The operation mode is automatically changed, in response to load, to the fixed switching frequency, to the switching frequency control, and to the burst oscillation mode. Thus the power efficiency is improved.

The product achieves high cost-performance power supply systems with few external components.

Features

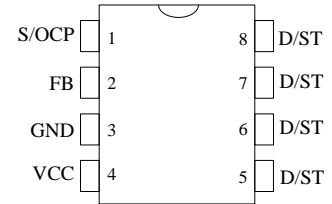
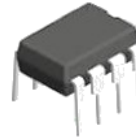
- Pb-free (RoHS Compliant)
- Buck Converter
- Inverting Converter
- Current Mode PWM Control
- Automatically Switch the Operation Mode According to the Load
Heavy Load: 60 kHz (typ.) Fixed Switching Frequency Mode
Medium Load: Green Mode, 23 kHz (typ.) to 60 kHz (typ.)
Light Load: Burst Oscillation Mode
- Built-in Startup Function
- Built-in Error Amplifier
- Random Switching Function
- Leading Edge Blanking Function
- Soft Start Function
- Protections
Overcurrent Protection (OCP) with Input Compensation Function: Adjustable OCP Operation Point by External Current Detection Resistor
Overload Protection (OLP): Auto-restart
Overvoltage Protection (OVP): Auto-restart
Thermal Shutdown with Hysteresis (TSD): Auto-restart

Typical Application (Buck Converter)



Package

DIP8



Not to scale

Selection Guide

- Electrical Characteristics
 $f_{OSC(AVG)} = 60 \text{ kHz (typ.)}$
 $V_{DSS} = 650 \text{ V (min.)}$

Part Number	$R_{DS(ON)}$ (max.)	$I_{OUT(MAX)}$ * (Universal, Open Frame, $V_{OUT} = 24 \text{ V}$)
STR5A451D	4.0 Ω	0.7 A
STR5A453D	1.9 Ω	0.9 A

* The output power is actual continuous current that is measured at 50 °C ambient. The peak output current can be 120 to 140 % of the value stated here. Thermal design affects the output current. It may be less than the value stated here.

Recommended Operating Condition

Parameter	Buck Converter	Inverting Converter
Input Voltage	AC 85 V to AC 265 V	
D/ST Input Voltage	$\geq 40 \text{ V}$	
Output Voltage Range*	> 11 V < 27.5 V	> - 27.5 V < - 11 V

*Add a Zener diode or a regulator to the VCC pin when the target output voltage is high.

Applications

- White Goods
- Auxiliary Power Supply (lighting Equipment with Microcomputer, etc.)
- Power Supply for Motor Control (actuator, etc.)
- Telecommunication Equipment (Convertible from 48 VDC to 15 VDC)
- Other SMPS

Contents

Description	1
1. Absolute Maximum Ratings	3
2. Electrical Characteristics	3
3. Mechanical Characteristics	5
4. Performance Curves	5
4.1 Derating Curves	5
4.2 MOSFET Safe Operating Area Curves	6
4.3 Ambient Temperature versus Power Dissipation Curves	6
4.4 Transient Thermal Resistance Curves	7
5. Block Diagram	8
6. Pin Configuration Definitions	8
7. Typical Applications	9
8. Physical Dimensions	10
9. Marking Diagram	11
10. Operational Description	12
10.1 Startup Operation of IC	12
10.2 Undervoltage Lockout (UVLO)	12
10.3 Power Supply Startup and Soft Start Function	12
10.4 Constant Voltage (CV) Control	13
10.4.1 Buck Converter Operation	14
10.4.2 Inverting Converter Operation	14
10.5 Leading Edge Blanking Function	15
10.6 Random Switching Function	15
10.7 Operation Mode	15
10.8 Overcurrent Protection (OCP)	16
10.8.1 OCP Operation	16
10.8.2 OCP Input Compensation Function	16
10.9 Overload Protection (OLP)	16
10.10 Overvoltage Protection (OVP)	17
10.11 Thermal Shutdown (TSD)	17
11. Design Notes	17
11.1 External Components	17
11.1.1 Input and Output Electrolytic Capacitor	18
11.1.2 Inductor	18
11.1.3 VCC Pin Peripheral Circuit	18
11.1.4 FB Pin Peripheral Circuit	18
11.1.5 Freewheeling Diode	18
11.1.6 Bleeder Resistance	18
11.2 D/ST Pin	19
11.3 PCB Trace Layout	19
12. Pattern Layout Example (Buck Converter)	21
13. Design Example	23
Important Notes	25

STR5A45xD Series

1. Absolute Maximum Ratings

The polarity value for current specifies a sink as "+," and a source as "-," referencing the IC.
Unless otherwise specified, $T_A = 25\text{ }^\circ\text{C}$, all D/ST pins (5 pin to 8pin) are shorted.

Parameter	Symbol	Test Conditions	Pins	Rating	Units	Remarks
Drain Peak Current	I_{DPEAK}	Single pulse	8 – 1	3.6	A	STR5A451D
				5.2		STR5A453D
Avalanche Energy ⁽¹⁾	E_{AS}	$I_{LPEAK} = 2.13\text{ A}$	8 – 1	53	mJ	STR5A451D
		$I_{LPEAK} = 2.46\text{ A}$		72		STR5A453D
S/OCP Pin Voltage	$V_{S/OCP}$		1 – 3	-2 to 5	V	
FB Pin Voltage	V_{FB}		2 – 3	-0.3 to 7	V	
VCC Pin Voltage	V_{CC}		4 – 3	-0.3 to 32	V	
D/ST Pin Voltage	$V_{D/ST}$		4 – 5	-0.3 to V_{DSS}	V	
MOSFET Power Dissipation	P_{D1}	⁽²⁾	8 – 1	1.68	W	STR5A451D
				1.76		STR5A453D
Control Part Power Dissipation	P_{D2}		4 – 3	1.3	W	
Operating Ambient Temperature	T_{OP}		—	-40 to 125	$^\circ\text{C}$	
Storage Temperature	T_{STG}		—	-40 to 125	$^\circ\text{C}$	
Junction Temperature	T_J		—	150	$^\circ\text{C}$	

2. Electrical Characteristics

The polarity value for current specifies a sink as "+," and a source as "-," referencing the IC.
Unless otherwise specified, $T_A = 25\text{ }^\circ\text{C}$, all D/ST pins (5 pin to 8pin) are shorted.

Parameter	Symbol	Test Conditions	Pins	Min.	Typ.	Max.	Units	Remarks
Power Supply Startup Operation								
Operation Start Voltage	$V_{CC(ON)}$		4 – 3	13.6	15.0	16.6	V	
Operation Stop Voltage	$V_{CC(OFF)}$		4 – 3	7.3	8.0	8.7	V	
Circuit Current in Operation	$I_{CC(ON)}$	$V_{CC} = 12\text{ V}$	4 – 3	—	—	3.0	mA	
Startup Circuit Operation Voltage	$V_{ST(ON)}$	$V_{CC} = 13.5\text{ V}$	8 – 3	21	29	37	V	
Startup Current	$I_{CC(ST)}$	$V_{CC} = 13.5\text{ V}$	4 – 3	-3.0	-1.7	-0.9	mA	
PWM Operation								
Average PWM Switching Frequency	$f_{OSC(AVG)}$	$V_{FB} = V_{FB(REF)} - 20\text{ mV}$	8 – 3	53	60	67	kHz	
Switching Frequency Modulation Deviation	Δf		8 – 3	—	7.1	—	kHz	
Feedback Reference Voltage	$V_{FB(REF)}$		2 – 3	2.44	2.50	2.56	V	
Feedback Current ⁽¹⁾	$I_{FB(OP)}$	$V_{FB} = 2.3\text{ V}$	2 – 3	-2.4	-0.8	—	μA	

⁽¹⁾ Single pulse, $V_{DD} = 99\text{ V}$, $L = 20\text{ mH}$

⁽²⁾ When embedding this hybrid IC onto the printed circuit board (copper area in a 15 mm×15 mm)

⁽¹⁾ Guaranteed by design.

STR5A45xD Series

Parameter	Symbol	Test Conditions	Pins	Min.	Typ.	Max.	Units	Remarks
S/OCP Pin Standby Threshold voltage	$V_{\text{OCP(STB)}}$		1 – 3	—	0.11	—	V	
Maximum Duty Cycle	D_{MAX}		8 – 3	56	62	69	%	
Protection								
Leading Edge Blanking Time ⁽¹⁾	t_{BW}		—	—	280	—	ns	
OCP Compensation Coefficient ⁽¹⁾	D_{PC}		—	—	15.8	—	mV/ μ s	
OCP Compensation Limit Duty ⁽¹⁾	D_{DPC}		—	—	36	—	%	
OCP Threshold Voltage at Zero Duty Cycle	$V_{\text{OCP(L)}}$		1 – 3	0.640	0.735	0.830	V	
OCP Threshold Voltage	$V_{\text{OCP(H)}}$		1 – 3	0.74	0.83	0.92	V	
OCP Threshold Voltage During LEB (t_{BW})	$V_{\text{OCP(LEB)}}$		1 – 3	—	1.61	—	V	
OVP Threshold Voltage	$V_{\text{CC(OVP)}}$		4 – 3	27.5	29.3	31.3	V	
OLP Delay Time at Startup	t_{OLP}	$V_{\text{FB}} = 0.41 \text{ V}$	8 – 3	53	70	88	ms	
Circuit Current in Overload Protection	I_{OLP}	$V_{\text{CC}} = 9 \text{ V}$	4 – 3	—	300	—		
Delay Time of FB Pin Short Protection at Startup	t_{FBSH}	$V_{\text{FB}} = 0.2 \text{ V}$	8 – 3	13.0	17.5	22.0		
Standby Blanking Time at Startup	$t_{\text{STB(INH)}}$	$V_{\text{FB}} = 2.6 \text{ V}$	8 – 3	2.0	3.0	4.0	ms	
Thermal Shutdown Operating Temperature ⁽¹⁾	$T_{\text{J(TSD)}}$		—	135	—	—	$^{\circ}\text{C}$	
Thermal Shutdown Hysteresis ⁽¹⁾	$T_{\text{J(TSD)HYS}}$		—	—	80	—	$^{\circ}\text{C}$	
Power MOSFET								
Drain-to-Source Breakdown Voltage	V_{DSS}	$I_{\text{DS}} = 50 \mu\text{A}$	8 – 1	650	—	—	V	
Drain Leakage Current	I_{DSS}	$V_{\text{DS}} = V_{\text{DSS}}$	8 – 1	—	—	50	μA	
On-resistance	$R_{\text{DS(ON)}}$	$I_{\text{DS}} = 0.4 \text{ A}$	8 – 1	—	—	4.0	Ω	STR5A451D
				—	—	1.9		STR5A453D
Switching Time	t_{f}		8 – 1	—	—	250	ns	
Thermal Characteristics								
Thermal Resistance Junction to Case ⁽²⁾	$\theta_{\text{J-C}}$		—	—	—	18	$^{\circ}\text{C/W}$	STR5A451D STR5A453D

⁽²⁾ Case temperature (T_{C}) measured at the center of the case top surface

STR5A45xD Series

3. Mechanical Characteristics

Parameter	Conditions	Min.	Typ.	Max.	Unit	Remarks
Package Weight		—	0.51	—	g	

4. Performance Curves

4.1 Derating Curves

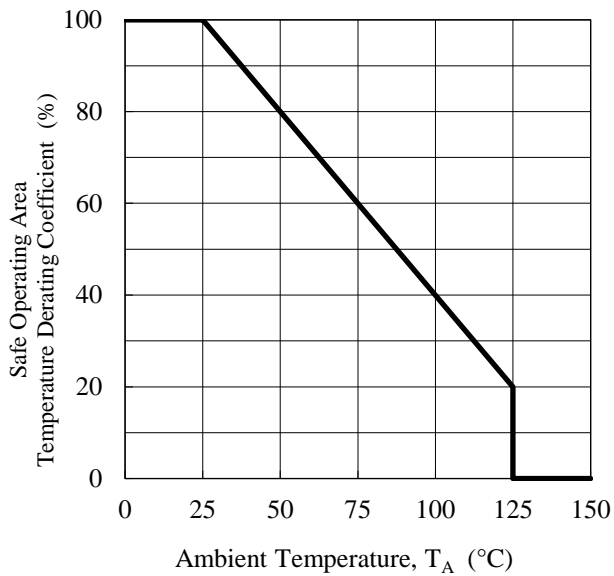


Figure 4-1. SOA Temperature Derating Coefficient Curve

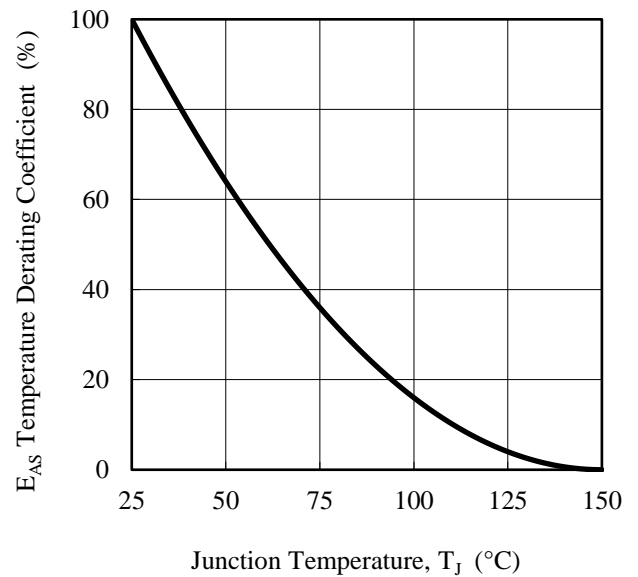


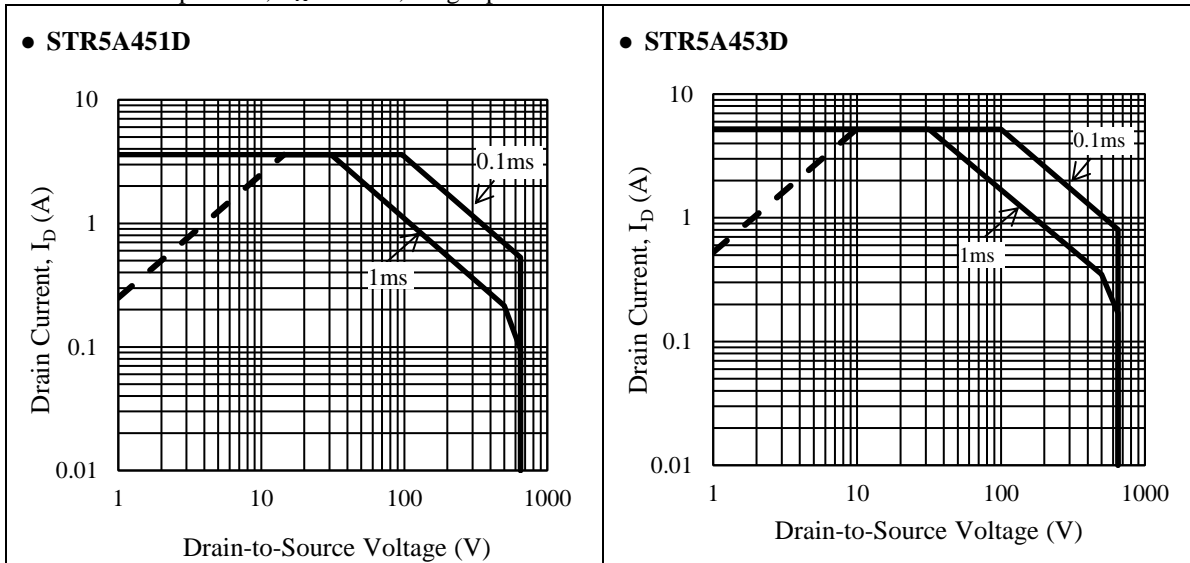
Figure 4-2. Avalanche Energy Derating Coefficient Curve

STR5A45xD Series

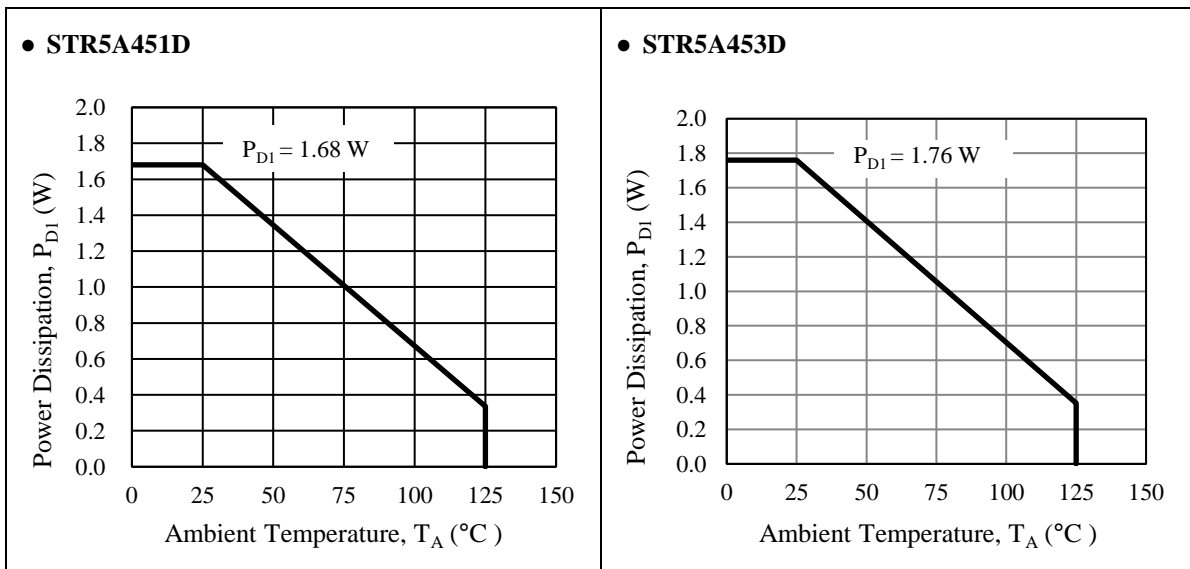
4.2 MOSFET Safe Operating Area Curves

When the IC is used, the safe operating area curve should be multiplied by the temperature derating coefficient derived from Figure 4-1. The broken line in the safe operating area curve is the drain current curve limited by on-resistance.

Unless otherwise specified, $T_A = 25\text{ }^\circ\text{C}$, Single pulse.

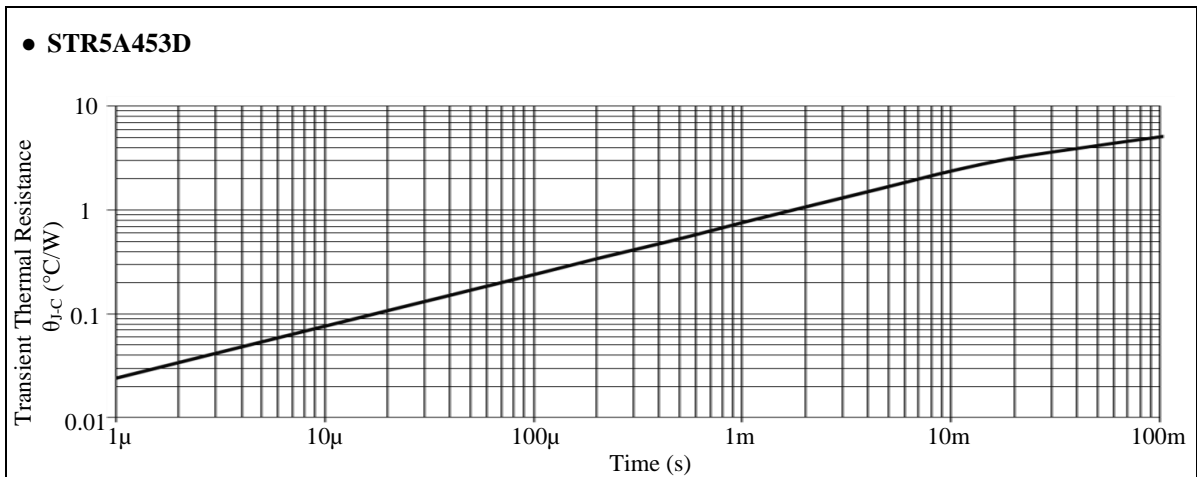
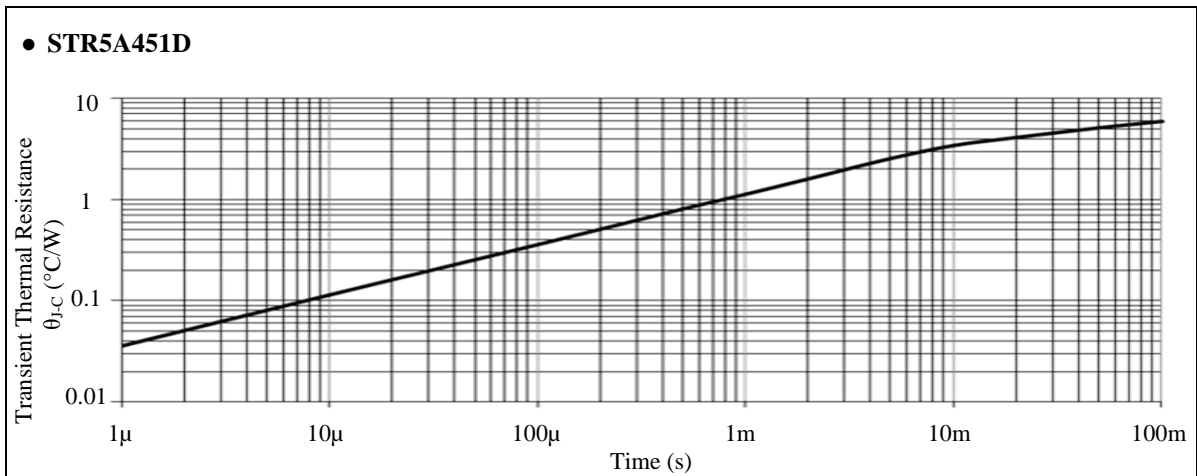


4.3 Ambient Temperature versus Power Dissipation Curves



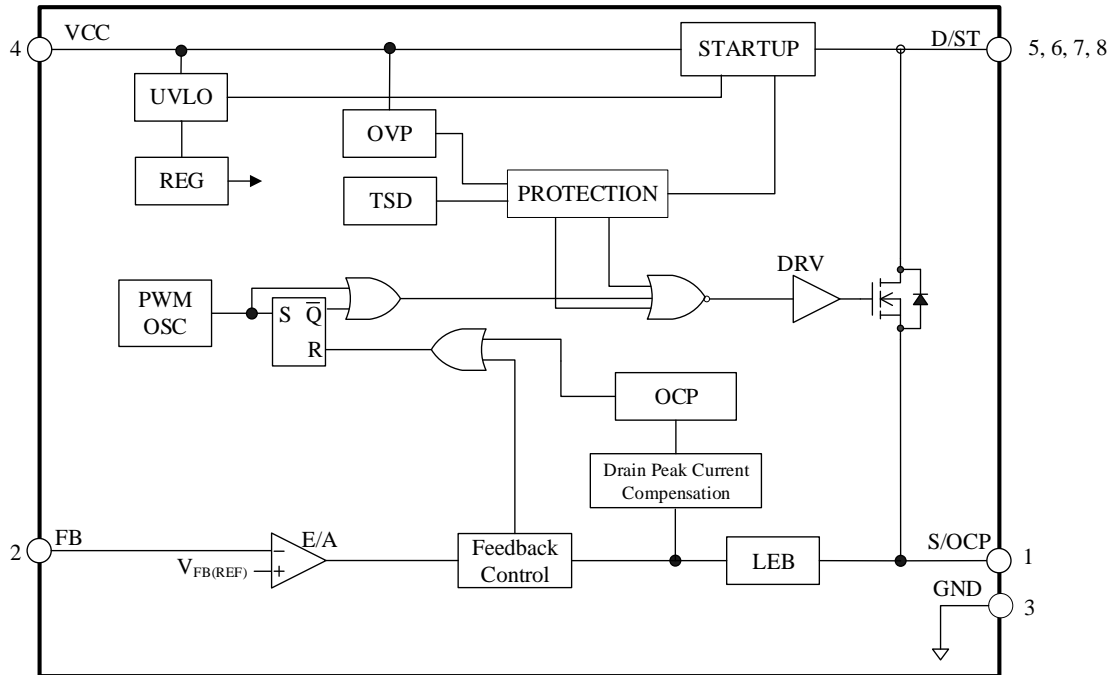
STR5A45xD Series

4.4 Transient Thermal Resistance Curves

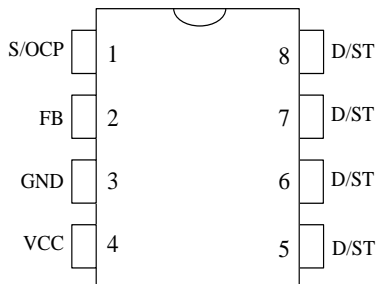


STR5A45xD Series

5. Block Diagram



6. Pin Configuration Definitions



Pin	Name	Descriptions
1	S/OCP	Power MOSFET source and overcurrent protection (OCP) signal input
2	FB	Constant voltage control signal input and overload protection signal input
3	GND	Ground
4	VCC	Power supply voltage input for control part and overvoltage protection (OVP) signal input
5	D/ST	MOSFET drain and startup current input
6		
7		
8		

7. Typical Applications

Figure 7-1 and Figure 7-2 are the example circuits.

To enhance the heat dissipation, the wide pattern layout of the D/ST pin (5 through 8 pin) is recommended.

When the absolute value of the output voltage $|V_{OUT}|$ is 27.5 V or higher, add a Zener diode DZ1 connected to D1 in serial as shown in Figure 7-3. Using the maximum duty cycle of 50 % in the steady state operation, the condition of $|V_{OUT}|$ is shown below:

$$|V_{OUT}| : 11V < |V_{OUT}| - V_{DZ1} < 27.5V$$

$|V_{OUT}|$ according to the input voltage:

For buck topology, $|V_{OUT}| \leq 0.5 \times \text{input voltage}$

For inverting topology, $|V_{OUT}| \leq \text{input voltage}$

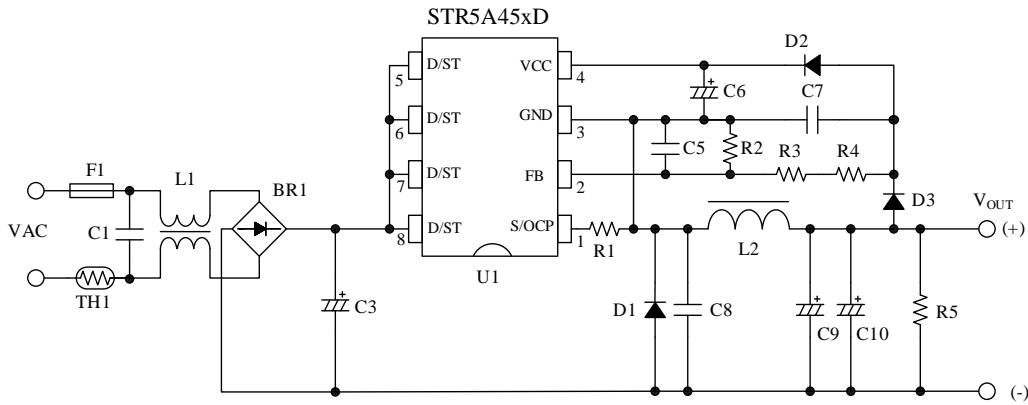


Figure 7-1. Buck Converter

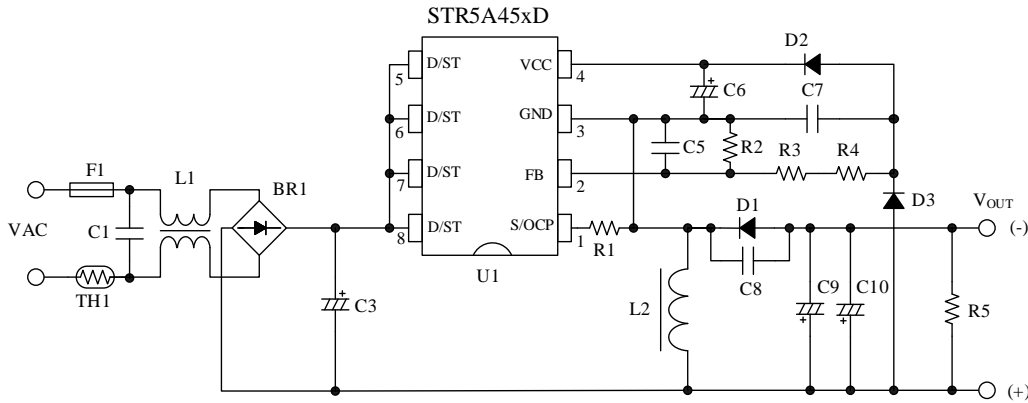


Figure 7-2. Inverting Converter

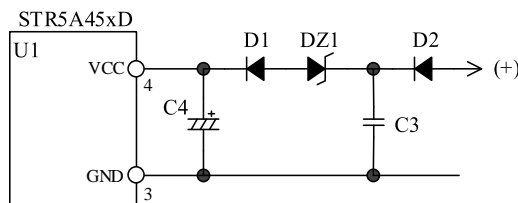
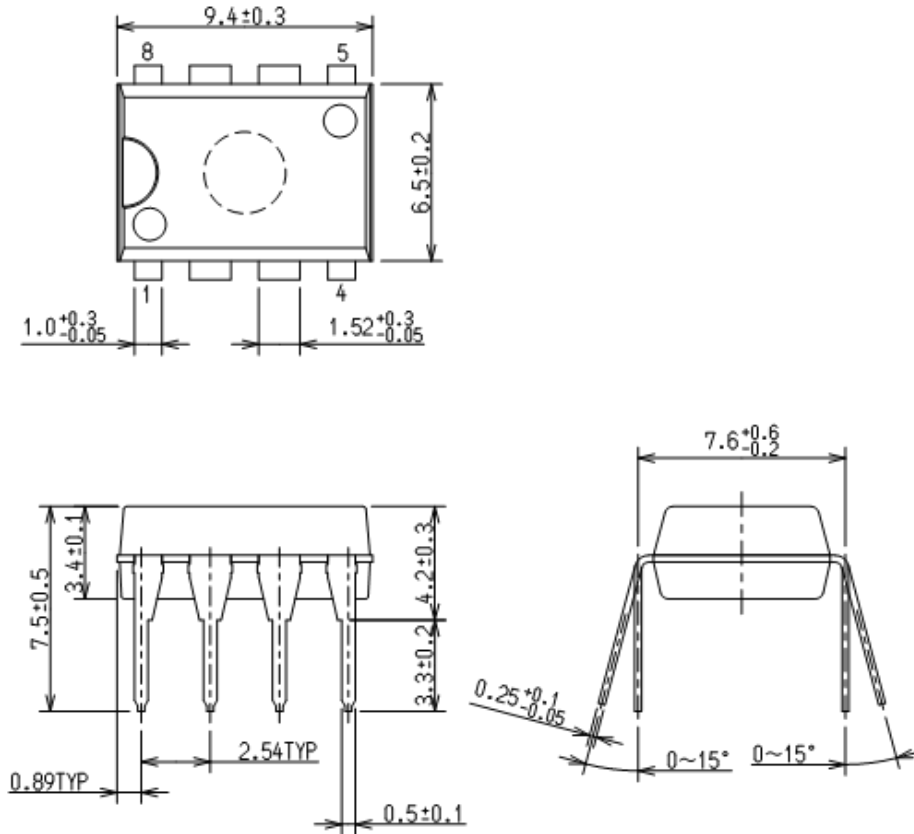


Figure 7-3. Increasing the Absolute Value of $|V_{OUT}|$

STR5A45xD Series

8. Physical Dimensions

- DIP8



NOTES:

- All dimensions in millimeters
- Pb-free (RoHS compliant)
- When soldering the products, it is required to minimize the working time within the following limits:
 - Flow: $260^\circ\text{C} / 10 \text{ s}$, 1 time
 - Soldering Iron: $350^\circ\text{C} / 3.5 \text{ s}$, 1 timeSoldering should be at a distance of at least 1.5 mm from the body of the product.

STR5A45xD Series

9. Marking Diagram

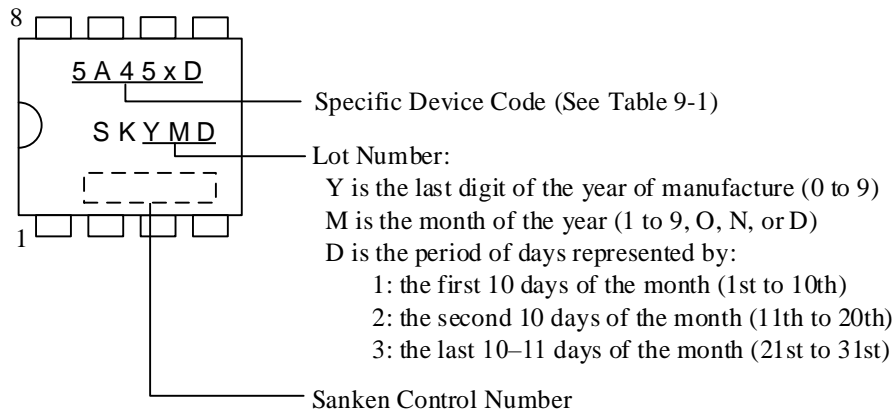


Table 9-1. Specific Device Code

Specific Device Code	Part Number
5A451D	STR5A451D
5A453D	STR5A453D

10. Operational Description

All of the parameter values used in these descriptions are typical values, unless they are specified as minimum or maximum. With regard to current direction, "+" indicates sink current (toward the IC) and "-" indicates source current (from the IC).

The common items of Buck converter and Inverting are described by using Buck converter.

10.1 Startup Operation of IC

Figure 10-1 shows the circuit around VCC pin.

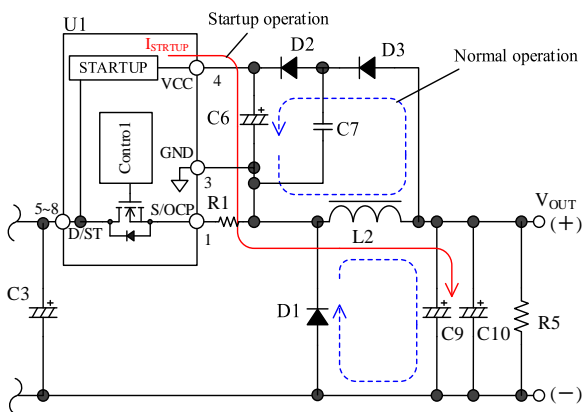


Figure 10-1. VCC Pin Peripheral Circuit in Buck Converter

The IC incorporates the startup circuit. The circuit is connected to D/ST pin. When D/ST pin voltage reaches the Startup Circuit Operation Voltage $V_{ST(ON)} = 29\text{ V}$, the startup circuit starts operation.

During the startup process, the constant current, $I_{CC(ST)} = -1.7\text{ mA}$, charges C6 at VCC pin. When VCC pin voltage increases to $V_{CC(ON)} = 15.0\text{ V}$, the control circuit starts switching operation.

After switching operation begins, the startup circuit turns off automatically so that its current consumption becomes zero.

The approximate startup time t_{START} is calculated as follows:

$$t_{START} = C6 \times \frac{V_{CC(ON)} - V_{CC(INT)}}{|I_{CC(ST)}|} \quad (1)$$

where,

t_{START} is the startup time of IC (s),

$V_{CC(INT)}$ is the initial voltage on VCC pin (V).

When the internal power MOSFET turns off, the output voltage, V_{OUT} , charges C6 through D2 and D3 (see Figure

10-1).

The voltage between VCC pin and GND pin in the steady state operation is calculated as follows, where V_{FD1} , V_{FD2} and V_{FD3} are the forward voltage of D1, D2 and D3 respectively:

$$V_{CC} = V_{OUT} + V_{FD1} - (V_{FD2} + V_{FD3}) \quad (2)$$

10.2 Undervoltage Lockout (UVLO)

Figure 10-2 shows the relationship of VCC pin voltage and the circuit current, I_{CC} . When VCC pin voltage increases to $V_{CC(ON)} = 15.0\text{ V}$, the control circuit starts switching operation and the circuit current, I_{CC} , increases. When VCC pin voltage decreases to $V_{CC(OFF)} = 8.0\text{ V}$, the control circuit stops its operation by the Undervoltage Lockout (UVLO) circuit, and reverts to the state before startup.

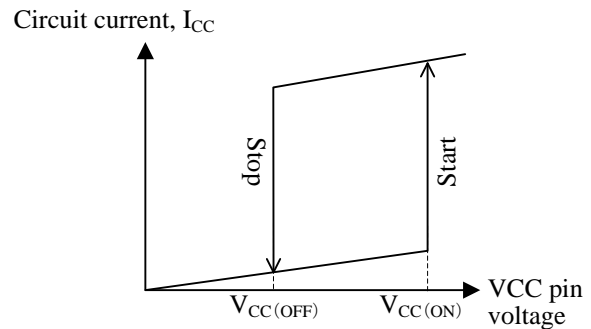


Figure 10-2. Relationship between VCC Pin Voltage and I_{CC}

10.3 Power Supply Startup and Soft Start Function

The soft start function reduces the voltage and the current stress of the internal power MOSFET and the freewheeling diode, D1.

Figure 10-3 shows the startup waveforms. After the IC starts, during the Standby Blanking Time at Startup, $t_{STB(INH)}$, the burst oscillation mode is disabled to operate the soft start.

The IC activates the soft start circuitry during the startup period. The soft start time is fixed to about 10.2 ms. During the soft start period, the overcurrent threshold is increased step-wisely (7 steps). The IC operates switching operation by the frequency responding to FB pin voltage until the output reaches the setting voltage.

Here, the t_{LIM} is defined as the period until FB pin voltage reaches 1.6 V after the IC starts. When the t_{LIM} reaches the OLP Delay Time at Startup, t_{OLP} , of 70 ms and

STR5A45xD Series

more, the IC stops switching operation. Thus, it is necessary to adjust the value of output electrolytic capacitor, C9 and C10, so that the t_{LIM} is less than t_{OLP} .

If VCC pin voltage reaches $V_{CC(OFF)}$ and a startup failure occurs as shown in Figure 10-4, increase C6 value or decrease C9 and C10 value. Since the larger capacitance causes the longer startup time of IC, it is necessary to check and adjust the startup process based on actual operation in the application.

Since the leading edge blanking function (See Section 10.5) is disabled during the soft start period, the on-time may be less than the Leading Edge Blanking Time ($t_{BW} = 280$ ns).

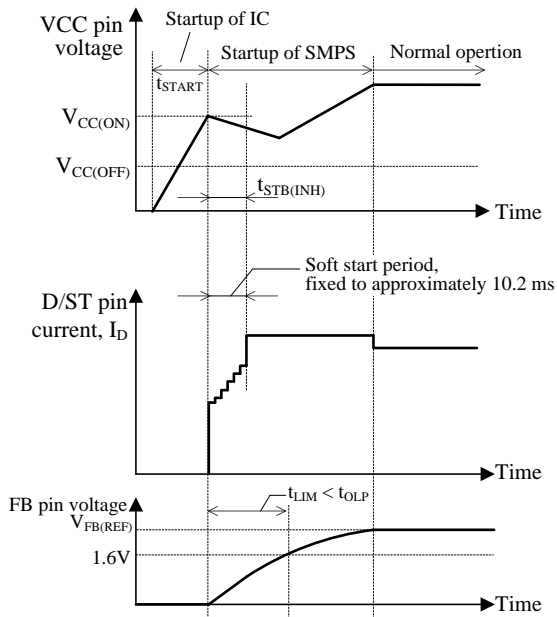


Figure 10-3. Startup Waveforms

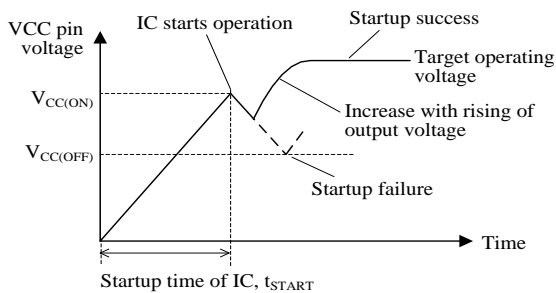


Figure 10-4. VCC Pin Voltage During Startup Period

10.4 Constant Voltage (CV) Control

The constant voltage (CV) control for power supply output adopts the peak-current-mode control method which enhances the response speed and the stable

operation.

The IC controls the peak value of the voltage of a current detection resistor, R1, to be close to target voltage (V_{SC}), comparing V_{ROCP} with V_{SC} by internal FB comparator. Feedback Control circuit receives the target voltage, V_{SC} , reversed FB pin voltage by an error amplifier (see Figure 10-5 and Figure 10-6).

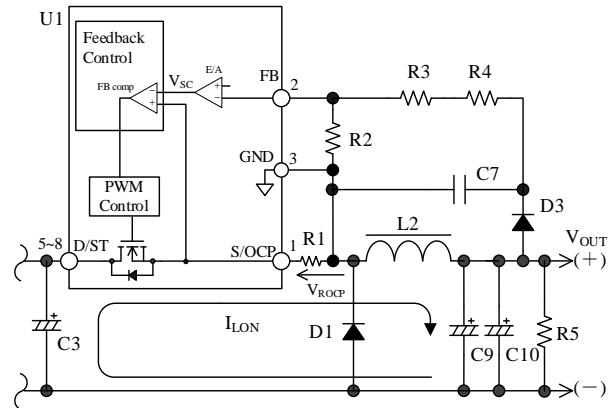


Figure 10-5. FB Pin Peripheral Circuit in Buck Converter

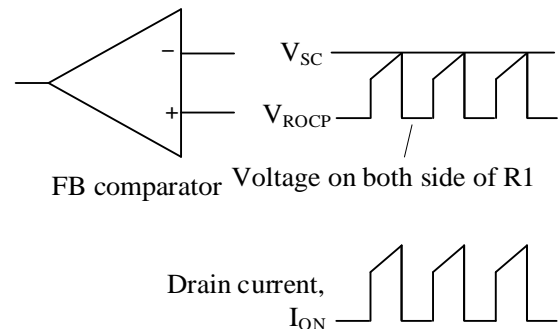


Figure 10-6. Drain Current I_D and FB Comparator in Steady State Operation

- Decreasing Load**
 When the output load decreases, the FB pin voltage increases in response to the increase of the output voltage. Since V_{SC} which is the output voltage of internal error amplifier becomes low, the peak value of V_{ROCP} is controlled to become low, and the peak of the drain current decreases. This control prevents the output voltage from increasing.
- Increasing Load**
 When the output load increases, the control circuit operates the reverse of the former operations. Since V_{SC} becomes high, the peak drain current increases. This control prevents the output voltage from decreasing.

10.4.1 Buck Converter Operation

Figure 10-7 shows the output current path in the Buck converter. Figure 10-8 shows the operational waveforms.

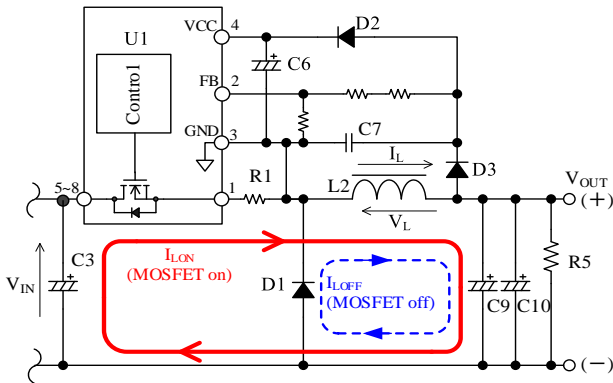


Figure 10-7. Output Current Path in Buck Converter

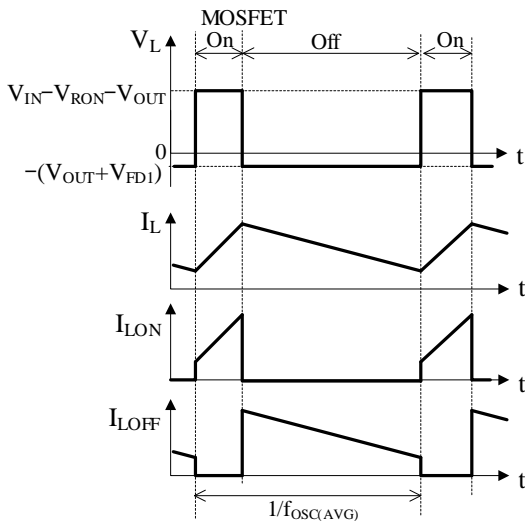


Figure 10-8. Operational Waveforms in Buck Converter

In the Buck converter, the PWM control is described in the following.

1) PWM On-time Period

When the internal power MOSFET turns on, the I_{LON} current flows as shown in Figure 10-7, and the inductor, L2, stores some energy.

Since the I_{LON} flows through the current detection resistor, R1, the voltage of R1 is detected as the current detection voltage, V_{ROCP} .

FB pin voltage is the voltage divided C7 voltage by voltage dividing resistors, and the target voltage, V_{SC} , is given by FB pin voltage.

When V_{ROCP} reaches V_{SC} , the power MOSFET turns off.

2) PWM Off-time Period

When the internal power MOSFET turns off, the back electromotive force occurs in the inductor, L2, the freewheeling diode, D1, is forward biased and turns on. Thus, the I_{LOFF} current flows as shown in Figure 10-7. As shown in Figure 10-8, after the average switching period, $1/f_{OSC(AVG)}$, the power MOSFET turns on again, and the event moves to the previous 1).

The output current is equal to the average inductor current of L2.

10.4.2 Inverting Converter Operation

Figure 10-9 shows the output current path in the Inverting converter. Figure 10-10 shows the operational waveforms.

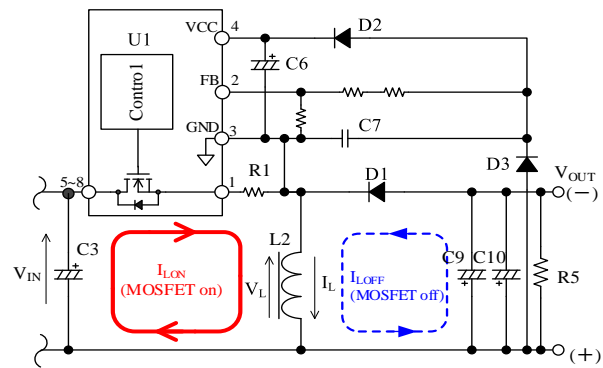


Figure 10-9. Output Current Path in Inverting Converter

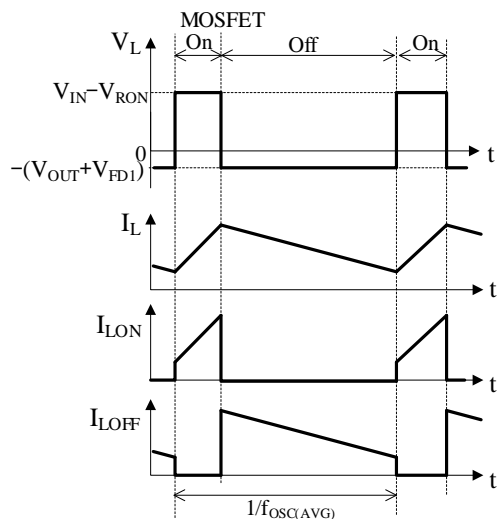


Figure 10-10. Operational Waveforms in Inverting Converter

In the Inverting converter, the PWM control is described in the following.

- 1) PWM On-time Period
 When the internal power MOSFET turns on, the I_{LON} current flows as shown in Figure 10-9, and the inductor, L2, stores some energy.
 Since the I_{LON} flows through the current detection resistor, R1, the voltage of R1 is detected as the current detection voltage, V_{ROCP} .
 FB pin voltage is the voltage divided C7 voltage by voltage dividing resistors, and the target voltage, V_{SC} , is given by FB pin voltage.
 When V_{ROCP} reaches V_{SC} , the power MOSFET turns off.
- 2) PWM Off-time Period
 When the internal power MOSFET turns off, the back electromotive force occurs in the inductor, L2, the freewheeling diode, D1, is forward biased and turns on. Thus, the I_{LOFF} current flows as shown in Figure 10-9
 As shown in Figure 10-10, after the average switching period, $1/f_{OSC(AVG)}$, the power MOSFET turns on again, and the event moves to the previous 1).

The output current is equal to the average current of I_{LOFF} of L2.

10.5 Leading Edge Blanking Function

The constant voltage control for power supply output adopts the peak-current-mode control method. The peak drain current is detected by the current detection resistor, R1. Just in turning on the internal power MOSFET, the steep surge current would occur.

If the overcurrent protection (OCP) responds to the voltage caused by that surge current, the power MOSFET may be turned off.

To prevent that response, the OCP threshold voltage increases during Leading Edge Blanking ($t_{BW} = 280$ ns) just after the power MOSFET turns on, and this prevents the OCP detection from responding to the surge voltage in turning-on (see Section 10.8.1).

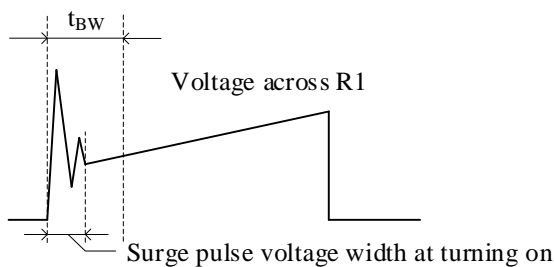


Figure 10-11. Leading Edge Blanking

10.6 Random Switching Function

The switching frequency is randomly modulated by superposing the modulating frequency on $f_{OSC(AVG)}$. This function reduces the conduction noise compared with other products without this function, and simplifies noise filtering of the input lines of power supply.

10.7 Operation Mode

As shown in Figure 10-12, when the output power is decreasing, together with the decrease of the drain current I_D of the internal power MOSFET, the operation mode is automatically changed to the fixed switching frequency mode (60 kHz), to the green mode controlled the switching frequency (23 kHz to 60 kHz), and to the burst oscillation mode controlled by an internal oscillator. In the green mode, the number of switching is reduced. In the burst oscillation mode, the switching operation is stopped during a constant period. Thus, the switching loss is reduced, and the power efficiency is improved (see Figure 10-13).

When the output load becomes lower, FB pin voltage increases and S/OCP pin voltage decreases. The S/OCP pin voltage reaches to the S/OCP pin standby threshold voltage, $V_{OCP(STB)} = 0.11$ V, the burst oscillation mode is activated.

As shown in Figure 10-13, the burst oscillation mode consists of the switching period and the non-switching period. The oscillation frequency during the switching period is the Minimum Frequency of about 23 kHz.

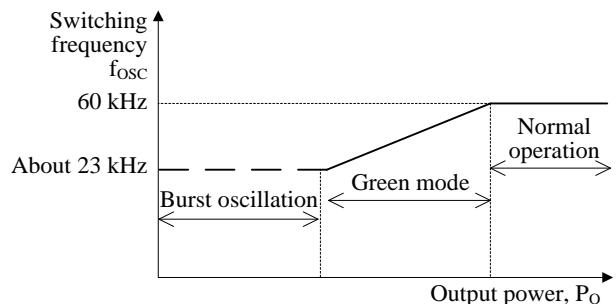


Figure 10-12. Switching Frequency in Response to P_o

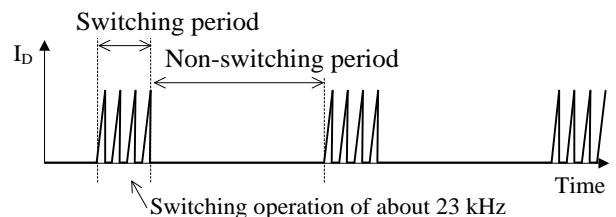


Figure 10-13. Switching Waveform at Burst Oscillation Mode

10.8 Overcurrent Protection (OCP)

10.8.1 OCP Operation

The overcurrent protection (OCP) detects each drain peak current level of a power MOSFET on pulse-by-pulse basis, and limits the output power when the voltage on the current detection resistor, R1, reaches to OCP threshold voltage.

During Leading Edge Blanking Time shown in Figure 10-11, the OCP threshold voltage becomes $V_{OCP(LEB)} = 1.61\text{ V}$ which is higher than the normal OCP threshold voltage. Changing to this threshold voltage prevents the OCP detection from responding to the surge voltage in turning-on the power MOSFET. This function operates as protection at the condition including output shorted.

When the power MOSFET turns on, the surge voltage width of the S/OCP pin should be less than t_{BW} . To prevent surge voltage, pay extra attention to R1 trace layout (See Section 11.3).

10.8.2 OCP Input Compensation Function

ICs with PWM control usually have some propagation delay time. The steeper the slope of the actual drain current at a high AC input voltage is, the larger the detection voltage of actual drain peak current is, compared to V_{OCP} . Thus, the peak current has some variation depending on AC input voltage in OCP state. To reduce the variation of peak current in OCP state, the input compensation function is built-in.

This function compensates the OCP threshold voltage so that it depends on AC input voltage, as shown in Figure 10-14.

When AC input voltage is low, the OCP threshold voltage is controlled to become high. Thus this control reduces the difference of peak drain current between at low AC input voltage and at high.

When the on-time is $6\text{ }\mu\text{s}$ or more, the OCP threshold voltage is $V_{OCP(H)}$ of 0.83 V . When the on-time is less than $6\text{ }\mu\text{s}$, that is V_{OCP} shown in Equation (3).

$$V_{OCP} = V_{OCP(L)} + DPC \times 10^3 \times ONTime \quad (3)$$

Where,

$V_{OCP(L)}$: OCP Threshold Voltage at Zero Duty Cycle (V)

DPC: OCP Compensation Coefficient (mV/ μs)

ONTime: On-time of power MOSFET (μs)

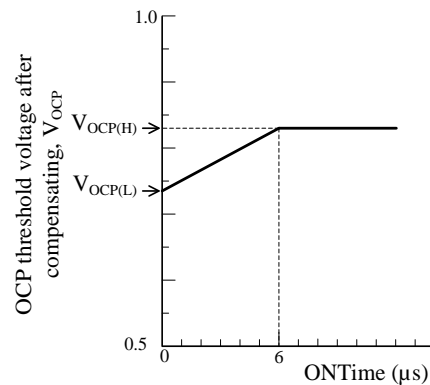


Figure 10-14. Relationship between ONTime and OCP Threshold Voltage after Compensating

10.9 Overload Protection (OLP)

When the voltage on the current detection resistor, R1, reaches the OCP threshold voltage, the internal power MOSFET turns off. Figure 10-15 shows the characteristic of output voltage and current.

The output voltage decreases in the overload state, and FB pin voltage also decreases. When the period keeping FB pin voltage less than 1.6 V continues for OLP Delay Time at Startup, $t_{OLP} = 70\text{ ms}$, the overload protection (OLP) is activated, and the IC stops switching operation. Thus, VCC pin voltage decreases to $V_{CC(OFF)}$, and the control circuit stops operation. After that, the startup circuit is activated, VCC pin voltage increases to $V_{CC(ON)}$ by the startup current, and the control circuit operates again. Thus, the intermittent operation by UVLO is repeated in the OLP state (see Figure 10-16).

This intermittent operation reduces the stress of parts including the power MOSFET and the freewheeling diode. In addition, this operation reduces power consumption because the switching period in this intermittent operation is much shorter than the oscillation stop period.

When the abnormal condition is removed, the IC returns to normal operation automatically.

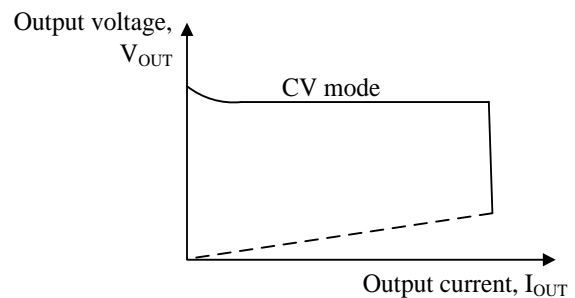


Figure 10-15. Overload Characteristics

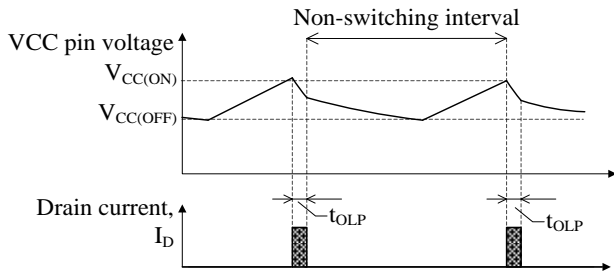


Figure 10-16. OLP Operational Waveform

10.10 Overvoltage Protection (OVP)

When the voltage between VCC pin and GND pin increases to $V_{CC(OVP)} = 29.3$ V or more, the overvoltage Protection (OVP) is activated and the IC stops switching operation. The intermittent operation by UVLO is repeated in the OVP state. See Section 10.9 about the intermittent operation by UVLO.

When the abnormal condition is removed, the IC returns to normal operation automatically.

The approximate value of output voltage $V_{OUT(OVP)}$ in the OVP condition is calculated by using Equation (4).

$$V_{OUT(OVP)} = V_{CC(OVP)} + V_{FD2} + V_{FD3} - V_{FD1} \quad (4)$$

where,

$V_{OUT(OVP)}$ is voltage of between $V_{OUT(+)}$ and $V_{OUT(-)}$,
 V_{FD1} is the forward voltage of D1 in Figure 10-1,
 V_{FD2} is the forward voltage of D2, and
 V_{FD3} is the forward voltage of D3.

10.11 Thermal Shutdown (TSD)

Figure 10-17 shows the thermal shutdown (TSD) operational waveforms.

When the junction temperature of the IC control circuit increases to $T_{J(TSD)} = 135$ °C (min.) or more, the TSD is activated, and the IC stops switching operation. The TSD has a temperature hysteresis. When VCC pin voltage decreases to about 9.4 V during the $T_J > (T_{J(TSD)} - T_{J(TSD)HYS})$, the startup circuit supplies startup current to VCC pin to keep the VCC pin voltage $> V_{CC(OFF)}$.

When the junction temperature is $T_{J(TSD)} - T_{J(TSD)HYS}$ or less, the startup circuit stops the startup current supply. Then, VCC pin voltage decreases to $V_{CC(OFF)}$ or less, and the control circuit stops operation. After that, the startup circuit is activated, VCC pin voltage increases to $V_{CC(ON)}$ by the startup current, and the control circuit operates again. The intermittent operation by TSD and UVLO is repeated in the TSD state.

After the fault condition is removed, the IC returns to

normal operation automatically.

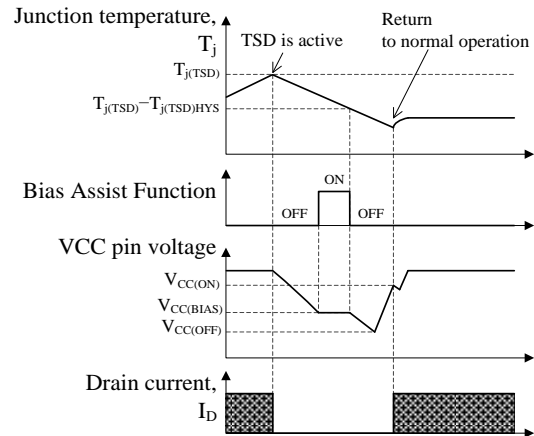


Figure 10-17. TSD Operational Waveforms

11. Design Notes

11.1 External Components

Take care to use properly rated, including derating as necessary, and proper type of components.

Figure 11-1 shows the peripheral circuit of IC in Buck converter.

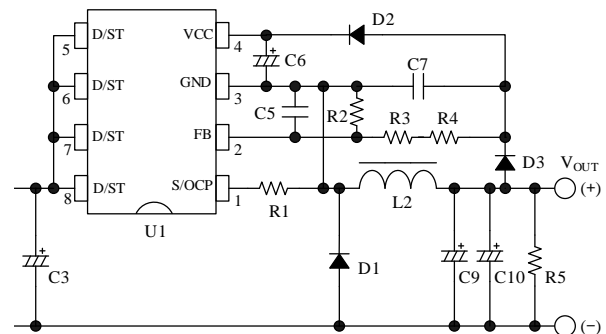


Figure 11-1. Peripheral Circuit of IC in Buck Converter

11.1.1 Input and Output Electrolytic Capacitor

Apply proper derating to ripple current, voltage, and temperature rise.

The value of output electrolytic capacitor, C9 and C10, should be fulfilled the following conditions:

- The specification of output ripple
- Enough shorter output voltage rising time in startup than the OLP Delay Time at Startup, $t_{OLP} = 70$ ms.
- Low impedance types, designed for switch mode power supplies, is recommended.

The ESR of C9 and C10 should be set in the range of Equation (5).

$$Z_{CO} < \frac{\Delta V_{OR}}{I_{LRP}} \quad (5)$$

where,

Z_{CO} is the ESR of electrolytic capacitor at the operation frequency (Since the ESR in general catalogs is mostly measured at 100 kHz, check the frequency characteristic.),

ΔV_{OR} is the output ripple voltage specification, and I_{LRP} is the ripple current of inductor.

11.1.2 Inductor

Apply proper design margin to core temperature rise by core loss and copper loss.

The inductor should be designed so that the inductor current does not saturate. The inductance should be the minimum considered a negative tolerance of inductance and a decline of DC superposition characteristics.

The on-time must be longer than the Leading Edge Blanking Time to control the output voltage constantly.

In the universal input voltage design, the on-time is easy to become short in the condition of maximum AC input voltage and light load. Be careful not to choose too small value for the inductance (The recommended value is 100 μ H or more).

Refer to the following design example of how to the inductor setting of the buck converter.

- DEE0010 Design Example Using STR5A453D: 10.5 W (15 V, 0.7 A) Offline Buck Converter
<https://www.semicon.sanken-ele.co.jp/common/pdf/designexample/dee0010.pdf>

11.1.3 VCC Pin Peripheral Circuit

The reference value of C6 in Figure 11-1 is generally 10 to 47 μ F. See Section 10.1 about the startup time.

11.1.4 FB Pin Peripheral Circuit

As shown in Figure 11-1, FB pin is input the voltage divided the voltage between $V_{OUT}(+)$ and GND pin by resistors.

C7 is the smoothing capacitor. The value of C7 depends on the value of output electrical capacitor, C9 and C10. Usually the value of C7 is 0.22 μ F to 4.7 μ F. When C7 value is set larger, the line regulation becomes better, however, the dynamic response of the output voltage becomes worse. Be careful of that value.

The voltage dividing resistor of R2, R3 and R4 is determined by the reference voltage, $V_{FB(REF)} = 2.50$ V, the output voltage, V_{OUT} , and so on. The following Equation (6) shows the relationship of them.

The target value of R2 is about 10 k Ω to 22 k Ω . R3 and R4 should be adjusted in actual operation condition.

The V_F of D1 and D3 affects the output voltage. Thus, the diodes of low V_F should be selected.

$$|V_{OUT}| \cong V_{FB(REF)} \times \frac{R2 + R3 + R4}{R2} + V_{FD3} - V_{FD1}$$

$$\Rightarrow R3 + R4 = \left(\frac{|V_{OUT}| - V_{FD3} + V_{FD1}}{V_{FB(REF)}} - 1 \right) \times R2 \quad (6)$$

where,

V_{FD1} is the forward voltage of D1, and

V_{FD3} is the forward voltage of D3.

11.1.5 Freewheeling Diode

D1 in Figure 11-1 is the freewheeling diode.

When the internal power MOSFET turns on, the recovery current flows through D1. The current affects power loss and noise much. The V_F affects the output voltage. Thus, the diode of fast recovery and low V_F should be selected.

11.1.6 Bleeder Resistance

For light load application, the bleeder resistor, R5, in

Figure 11-1 should be connected to both ends of output capacitor, C9 and C10, to prevent the increase of output voltage.

The value of R5 should be satisfied with Equation (7), and should be adjusted in actual operation condition.

$$R5 \leq \frac{|V_{OUT}|}{3mA} \quad (7)$$

11.2 D/ST Pin

When the voltage or the current of the D/ST pins shown in

Figure 11-1 exceeds the Absolute Maximum Ratings, the internal power MOSFET connected to the D/ST pin would be permanently damaged.

11.3 PCB Trace Layout

Since the PCB circuit trace design and the component layout significantly affects operation, EMI noise, and power dissipation, the high frequency PCB trace should be low impedance with small loop and wide trace.

In addition, the ground traces affect radiated EMI noise, and wide, short traces should be taken into account.

Figure 11-2 and Figure 11-3 show the circuit design example.

- 1) Main Circuit Trace Layout
This is the main trace containing switching currents, and thus it should be as wide trace and small loop as possible.
- 2) Freewheeling Loop Layout
This is the trace for the current of freewheeling diode, D3, and thus it should be as wide trace and small loop as possible.

- 3) Control Ground Trace Layout
Since the operation of IC may be affected from the large current of the main trace that flows in control ground trace, the control ground trace should be separated from main trace and connected at single point grounding.
- 4) VCC Trace Layout
This is the trace for supplying power to the IC, and thus it should be as small loop as possible. If C6 and the IC are distant from each other, placing a capacitor such as film capacitor C_f (about 0.1 μF to 1.0 μF) close to the VCC pin and the GND pin is recommended.
- 5) FB Trace Layout
The divided voltage by R3+R4 and R2 of output voltage is input to the FB pin.
To increase the detection accuracy, R4 and R2 should be connected to the bottom of C7 and the GND pin, respectively. The trace between R2, R3 and the FB pin should be as short as possible.
- 6) Thermal Considerations
Since the internal power MOSFET has a positive thermal coefficient of R_{DS(ON)}, consider it in thermal design.
Since the copper area under the IC and the GND pin trace act as a heatsink, its traces should be as wide as possible.

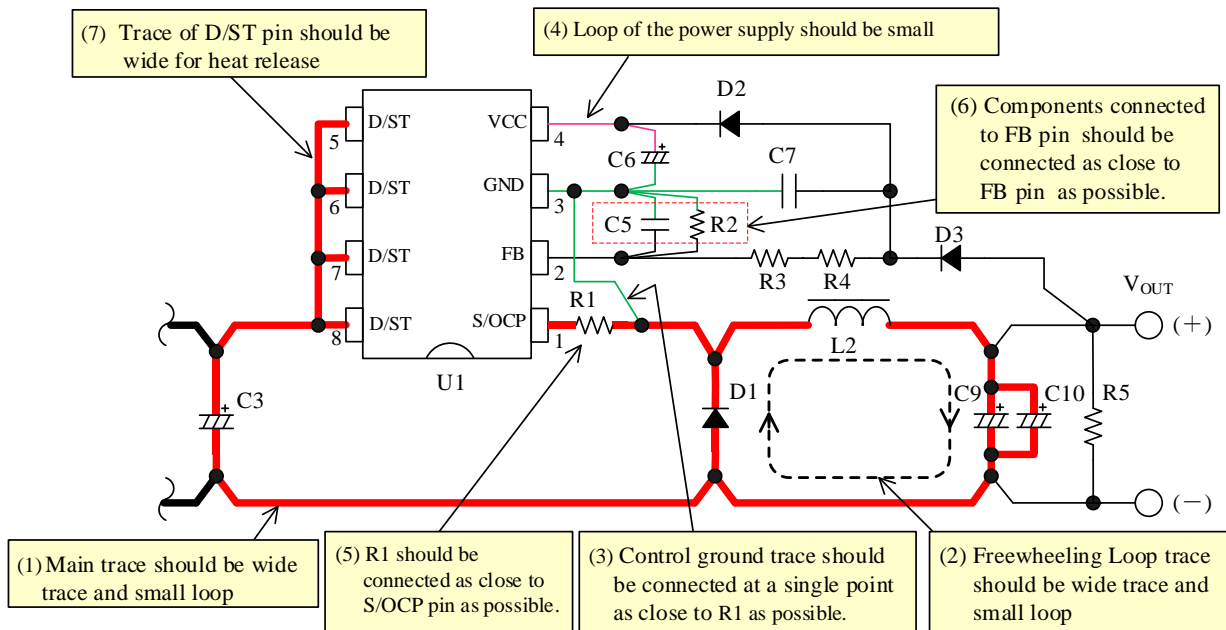


Figure 11-2 Peripheral Circuit Example Around IC for Buck Converter

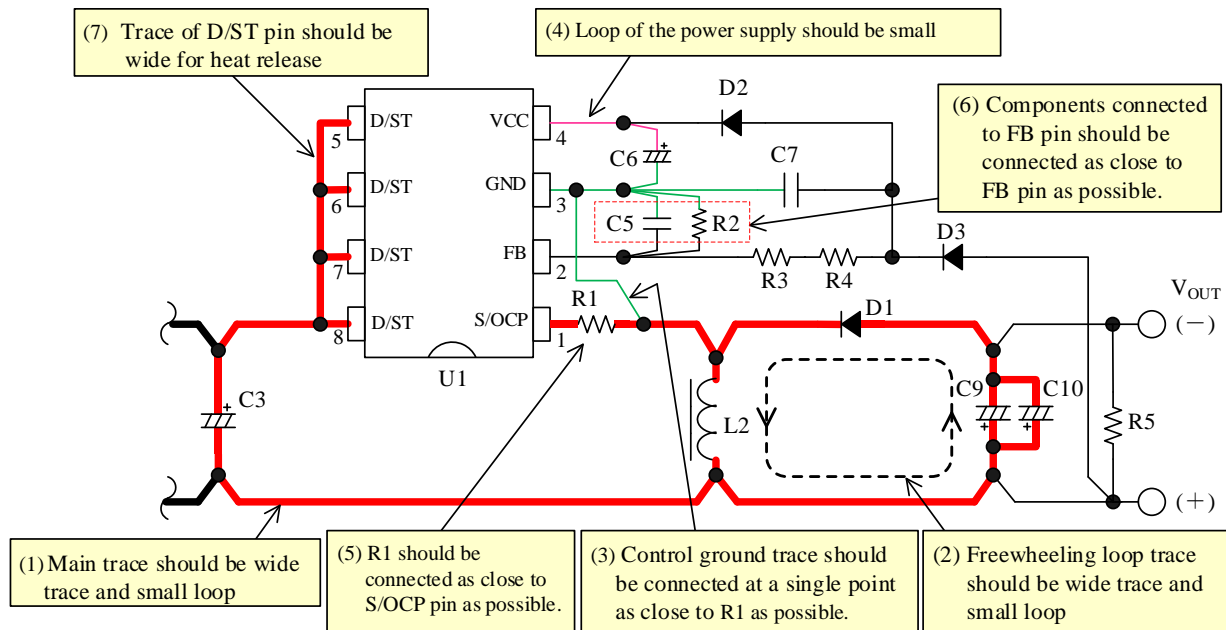
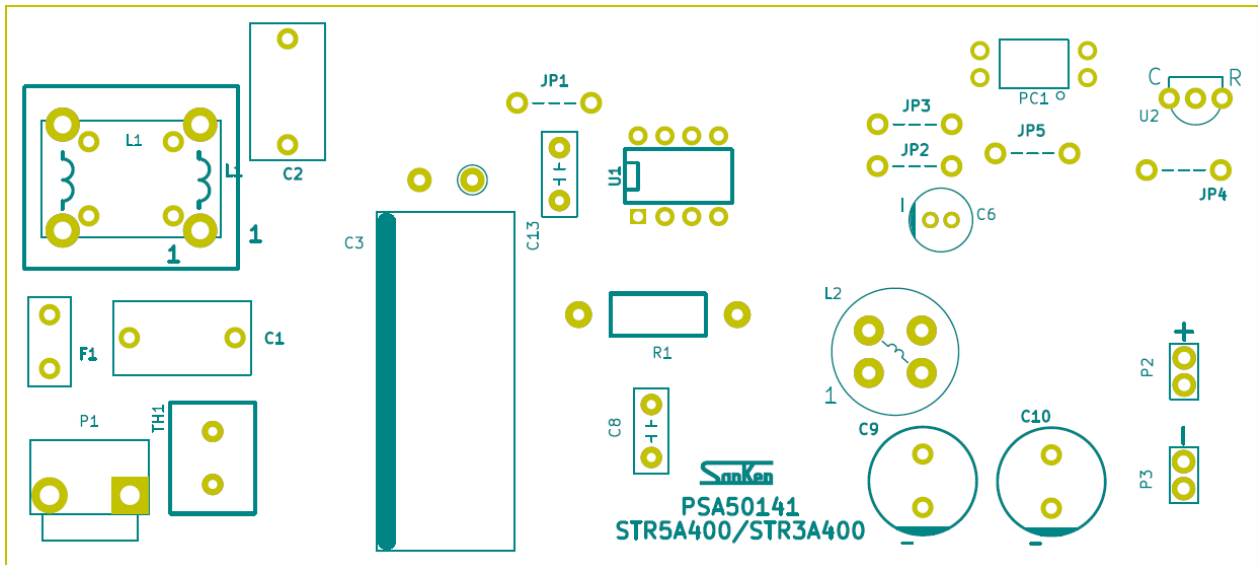


Figure 11-3 Peripheral Circuit Example Around IC for Inverting Converter

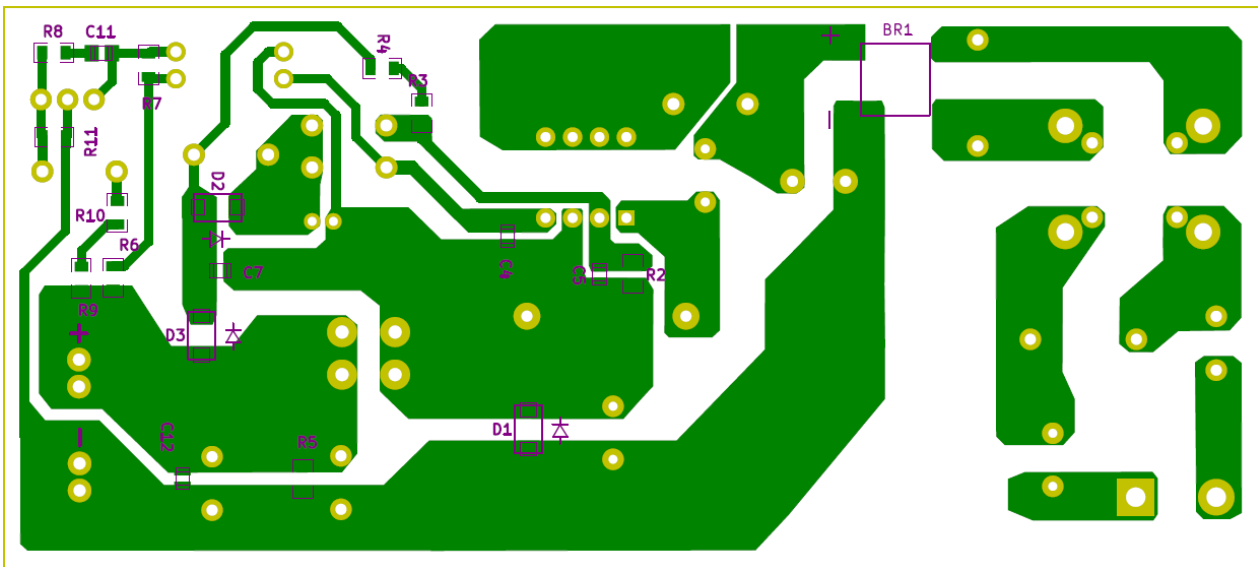
12. Pattern Layout Example (Buck Converter)

The following show the pattern layout example and the circuit schematic for the buck converter using STR5A45xD. The design example uses only the parts listed in the circuit diagram and the bill of materials.

PCB dimensions: 65 mm × 24 mm

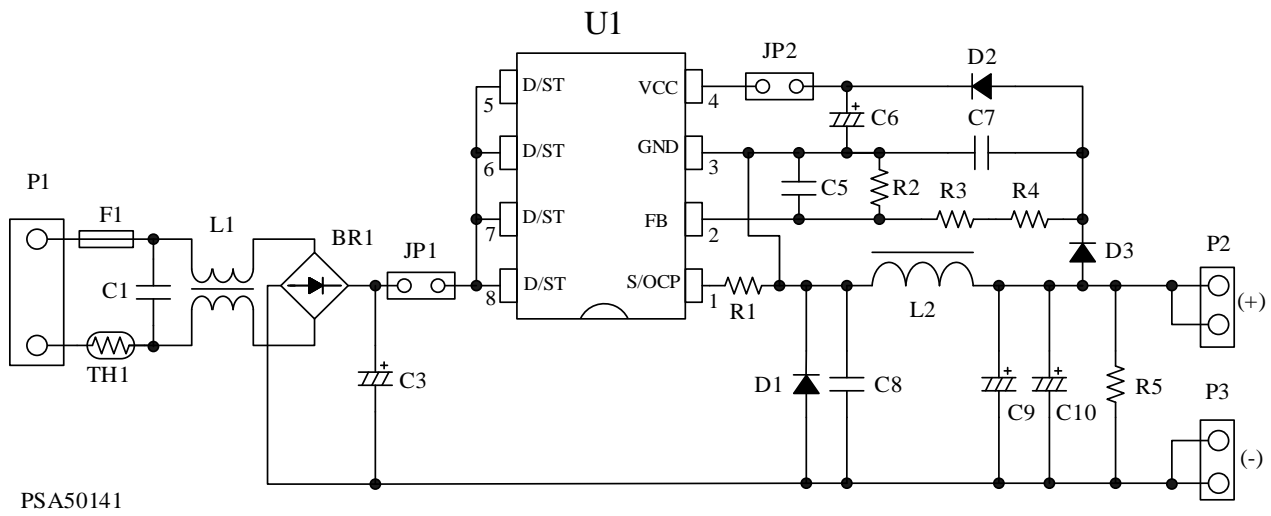


(a) Top View



(b) Bottom View

Figure 12-1. Pattern Layout Example for Buck Converter



PSA50141

Figure 12-2. Circuit Diagram for Buck Converter

13. Design Example

The following show the power supply specification, the circuit schematic, and the bill of materials of the buck converter reference design.

- Power Supply Specification

IC	STR5A453D
Input voltage	AC 85 V to AC 265 V
Maximum output power	10.5 W (max.)
Output voltage	15 V
Output current	0.7 A

- Circuit Diagram

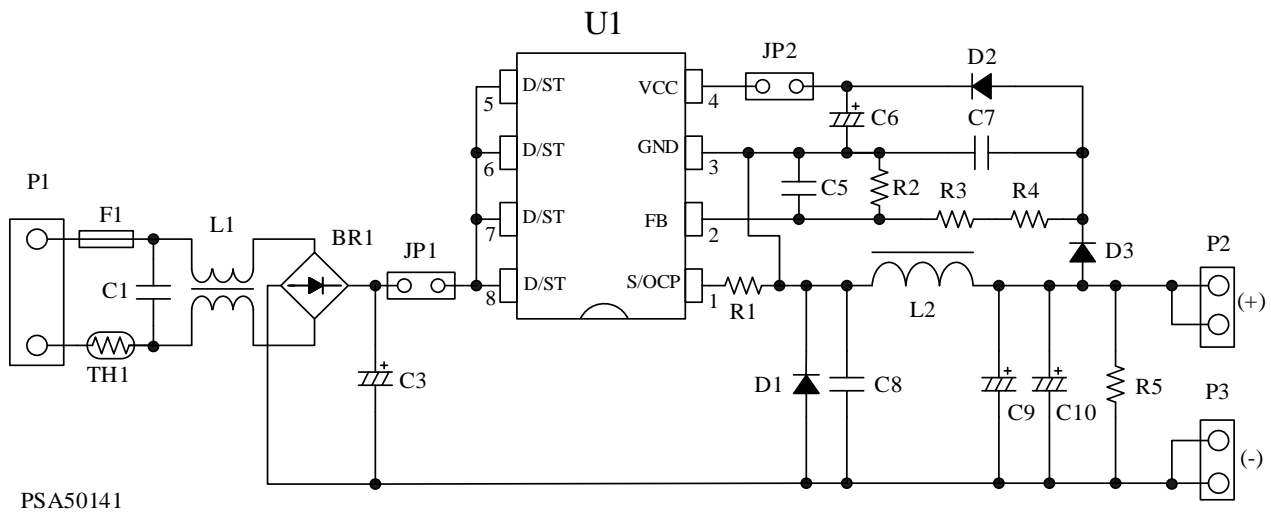


Figure 13-1. Circuit Diagram for Buck Converter

STR5A45xD Series

- Bill of Materials

Part Symbol	Part Type	Ratings	Recommended Sanken Parts
F1	Fuses	250 V, 2 A	
TH1	Power thermistor	4.7 Ω , 3 A	
C1	Film capacitor	310 VAC, 0.1 μ F	
C3	Electrolytic capacitor	105 $^{\circ}$ C, 400 V, 56 μ F	
C5	Chip ceramic capacitor	50 V, 470 pF, 2012	
C6	Electrolytic capacitor	105 $^{\circ}$ C, 50 V, 22 μ F	
C7	Chip ceramic capacitor	50 V, 2.2 μ F, 2012	
C8	Ceramic capacitor	1 kV, 22 pF	
C9	Electrolytic capacitor	105 $^{\circ}$ C, 25 V, 470 μ F	
C10	Electrolytic capacitor	105 $^{\circ}$ C, 25 V, 470 μ F	
BR1	Bridge rectifier diode	1000 V, 1.5 A	
D1	Fast recovery diode	500 V, 3 A	SJPD-L5
D2	Schottky diode	90 V, 1 A	SJPB-D9
D3	Fast recovery diode	500 V, 1 A	SJPD-D5
L1	CM inductor	18 mH, 0.3 A	
L2	Inductor	220 μ H, 2.1 A	
R1	Resistor	1 W, 0.47 Ω	
R2	Chip resistor	10 k Ω , 1/8 W, 1608	
R3	Chip resistor	47 k Ω , 1/8 W, 1608	
R4	Chip resistor	4.7 k Ω , 1/8 W, 1608	
R5	Chip resistor	6.8 k Ω , 1/8 W, 1608	
U1	PWM offline converter IC	650 V, 1.9 Ω	STR5A453D
JP1	Jumper wire	Plated wire, $\phi = 0.6$, P = 7 mm	
JP2	Jumper wire	Plated wire, $\phi = 0.6$, P = 7 mm	
P1	Connector	250 V	
P2	Connector	50 V	
P3	Connector	50 V	
—	PCB	PSA50141	

Important Notes

- All data, illustrations, graphs, tables and any other information included in this document (the “Information”) as to Sanken’s products listed herein (the “Sanken Products”) are current as of the date this document is issued. The Information is subject to any change without notice due to improvement of the Sanken Products, etc. Please make sure to confirm with a Sanken sales representative that the contents set forth in this document reflect the latest revisions before use.
- The Sanken Products are intended for use as components of general purpose electronic equipment or apparatus (such as home appliances, office equipment, telecommunication equipment, measuring equipment, etc.). Prior to use of the Sanken Products, please put your signature, or affix your name and seal, on the specification documents of the Sanken Products and return them to Sanken. When considering use of the Sanken Products for any applications that require higher reliability (such as transportation equipment and its control systems, traffic signal control systems or equipment, disaster/crime alarm systems, various safety devices, etc.), you must contact a Sanken sales representative to discuss the suitability of such use and put your signature, or affix your name and seal, on the specification documents of the Sanken Products and return them to Sanken, prior to the use of the Sanken Products. The Sanken Products are not intended for use in any applications that require extremely high reliability such as: aerospace equipment; nuclear power control systems; and medical equipment or systems, whose failure or malfunction may result in death or serious injury to people, i.e., medical devices in Class III or a higher class as defined by relevant laws of Japan (collectively, the “Specific Applications”). Sanken assumes no liability or responsibility whatsoever for any and all damages and losses that may be suffered by you, users or any third party, resulting from the use of the Sanken Products in the Specific Applications or in manner not in compliance with the instructions set forth herein.
- In the event of using the Sanken Products by either (i) combining other products or materials or both therewith or (ii) physically, chemically or otherwise processing or treating or both the same, you must duly consider all possible risks that may result from all such uses in advance and proceed therewith at your own responsibility.
- Although Sanken is making efforts to enhance the quality and reliability of its products, it is impossible to completely avoid the occurrence of any failure or defect or both in semiconductor products at a certain rate. You must take, at your own responsibility, preventative measures including using a sufficient safety design and confirming safety of any equipment or systems in/for which the Sanken Products are used, upon due consideration of a failure occurrence rate and derating, etc., in order not to cause any human injury or death, fire accident or social harm which may result from any failure or malfunction of the Sanken Products. Please refer to the relevant specification documents and Sanken’s official website in relation to derating.
- No anti-radioactive ray design has been adopted for the Sanken Products.
- The circuit constant, operation examples, circuit examples, pattern layout examples, design examples, recommended examples, all information and evaluation results based thereon, etc., described in this document are presented for the sole purpose of reference of use of the Sanken Products.
- Sanken assumes no responsibility whatsoever for any and all damages and losses that may be suffered by you, users or any third party, or any possible infringement of any and all property rights including intellectual property rights and any other rights of you, users or any third party, resulting from the Information.
- No information in this document can be transcribed or copied or both without Sanken’s prior written consent.
- Regarding the Information, no license, express, implied or otherwise, is granted hereby under any intellectual property rights and any other rights of Sanken.
- Unless otherwise agreed in writing between Sanken and you, Sanken makes no warranty of any kind, whether express or implied, including, without limitation, any warranty (i) as to the quality or performance of the Sanken Products (such as implied warranty of merchantability, and implied warranty of fitness for a particular purpose or special environment), (ii) that any Sanken Product is delivered free of claims of third parties by way of infringement or the like, (iii) that may arise from course of performance, course of dealing or usage of trade, and (iv) as to the Information (including its accuracy, usefulness, and reliability).
- In the event of using the Sanken Products, you must use the same after carefully examining all applicable environmental laws and regulations that regulate the inclusion or use or both of any particular controlled substances, including, but not limited to, the EU RoHS Directive, so as to be in strict compliance with such applicable laws and regulations.
- You must not use the Sanken Products or the Information for the purpose of any military applications or use, including but not limited to the development of weapons of mass destruction. In the event of exporting the Sanken Products or the Information, or providing them for non-residents, you must comply with all applicable export control laws and regulations in each country including the U.S. Export Administration Regulations (EAR) and the Foreign Exchange and Foreign Trade Act of Japan, and follow the procedures required by such applicable laws and regulations.
- Sanken assumes no responsibility for any troubles, which may occur during the transportation of the Sanken Products including the falling thereof, out of Sanken’s distribution network.
- Although Sanken has prepared this document with its due care to pursue the accuracy thereof, Sanken does not warrant that it is error free and Sanken assumes no liability whatsoever for any and all damages and losses which may be suffered by you resulting from any possible errors or omissions in connection with the Information.
- Please refer to our official website in relation to general instructions and directions for using the Sanken Products, and refer to the relevant specification documents in relation to particular precautions when using the Sanken Products.
- All rights and title in and to any specific trademark or tradename belong to Sanken and such original right holder(s).

DSGN-CEZ-16003