

# 14CE SERIES

002387

Issue 6

## MICRO SWITCH Miniature Precision Limit Switches



### DESCRIPTION

All MICRO SWITCH 14CE Series miniature precision switches incorporate fluorocarbon diaphragm sealing to provide reliable protection, meeting IP65, IP66, IP67, and IP68, as well as NEMA 1, 2, 3, 3R, 4, 6, 6P, and 13 requirements. Versions with a boot seal also meet NEMA 12 requirements (dust, falling dirt, liquid media with solid contaminants). The cable or connector and basic switch terminals are encapsulated in an epoxy sealant, offering excellent resistance in harsh environments. For low temperature applications (down to -40 °C, -40 °F), CE Series switches can be supplied with low temperature seals and lubricant.

The CE Series switches are rugged and versatile switches which can be applied indoors in many harsh factory floor applications, as well as on outdoor equipment in extreme temperatures. A full range of actuators are available, including pin plungers, roller plungers, side rotary, multi-directional wire, and manually operated. The switches are also available with the industry standard, M12 micro-change 4-pin connector. MICRO SWITCH 14CE products meet both European and Asian CE requirements, as well as the United Kingdom's UKCA requirements.

### FEATURES

- Rugged, miniature construction means minimal real estate on equipment
- NEMA 1, 2, 3, 3R, 4, 6, 6P, 12 (boot seal), 13, and IP65/66/67/68 environmental sealing
- Pre-leaded (Cenelec cable) or supplied with a M12 four-pin connector
- Wide selection of actuators and cable length variations with side and bottom exit cable/connector options
- 25 mm mounting centers engineered with a MICRO SWITCH SM switch for consistent, precise actuation
- Well suited for up to 10 million actuation cycles (Up to 5 million actuation cycles for wobble actuators)
- Gang mounting capability to provide a multi-plunger limit switch
- Low temperature variants available for indoor and outdoor applications
- CE approvals for European and Asian use; UKCA approval for United Kingdom use

### POTENTIAL APPLICATIONS

- Machine tools
- Off-road equipment
- Material handling
- Access and mobility solutions
- Textile machinery
- Robotics
- Packaging equipment
- Commercial appliances
- Print trade machinery
- Agricultural machinery

### VALUE TO CUSTOMERS

- **Cost-effective:** Provides a single source for a compact SPDT and DPDT limit switch, which can help minimize the Original Equipment Manufacturer's sourcing expenses by simplifying their supply chain
- **Versatile:** Durable packaging allows for use in many harsh indoor or outdoor applications, providing performance confidence
- **Configurable:** Allows design engineers to standardize on a single footprint while meeting a variety of electrical requirements
- **Application support:** Customers with a global footprint can count on Honeywell for regional support for new applications and troubleshooting

### DIFFERENTIATION

- With two times the vibration (10 g) and shock (50 g) ratings of comparable competitive devices, the NGC Series can be implemented in the harshest of environmental conditions, providing enhanced reliability and repeatability
- Broader current capacity (10 A) than comparable devices allows for potential use in a wider set of applications, making platform standardization an easier task

### PORTFOLIO



The 14CE Series is part of the 914CE, NGC, SZL-VL-S, SSCE and SL1 Series of miniature limit switches. Honeywell also offers a portfolio of MICRO SWITCH Heavy-Duty Limit Switches and General Purpose Limit Switches.

**Honeywell**

# MICRO SWITCH MINIATURE PRECISION LIMIT SWITCHES, 14CE SERIES

**TABLE 1. SPECIFICATIONS**

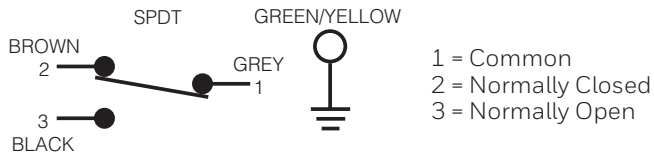
Characteristic	Parameter
Description	compact enclosed limit switch
Actuators	<ul style="list-style-type: none"> <li>• Top pin plunger (14CE1-)</li> <li>• Cross roller plunger (14CE3-)</li> <li>• Top pin plunger with boot seal (14CE18-)</li> <li>• Wobble (14CE20-)</li> <li>• Top pin plunger, panel mount (14CE27-)</li> <li>• Top roller plunger, parallel and panel mount (14CE28-)</li> <li>• Top roller plunger, perpendicular, panel mount (14CE29-)</li> <li>• Top roller plunger, parallel and boot sealed (14CE31-)</li> <li>• Top roller plunger, perpendicular, boot seal (14CE55-)</li> <li>• Parallel roller plunger (14CE2-)</li> <li>• Side rotary (14CE16-)</li> <li>• Top adjustable plunger (14CE19-)</li> <li>• Manually operated (14CE22-)</li> <li>• Ball bearing plunger (14CE66-)</li> </ul>
Terminations	Harmonized Cenelec PVC sheathed 4 x 0,75 mm <sup>2</sup> (18 AWG) cable Connector (dc), 4-pin male, M12 thread (-Q) Connector (ac), 4-pin male, 1/2 in x 20 thread (-Q1)
Switching options	SPDT, snap action contacts (1NC/1NO) Form C
Sealing	IP65, IP66, IP67, IP68* NEMA 1, 2, 3, 3R, 4, 6, 6P, 12 (boot seal), 13
Operating temperature	0 °C to 70 °C [32 °F to 158 °F]; optional -40 °C to 70 °C [-40 °F to 158 °F]
Mechanical life	up to 10 million; up to 5 million (wobble actuators) cycles
Thermal current	1 A, 3 A, 5 A (depending upon model)
Rated insulation voltage (Ui)	250 V
Rated impulse withstand voltage (Uimp)	1.5 kV
Short circuit protection device (SCPD)	Quick blow fuse suitable for rated current of switch
Pollution degree	3
Min. actuation speed	0.003 m/s
Max. actuation speed	0.1 m/s
Max. actuation frequency	ac – 200 Hz; dc – 20 Hz
Shock	50 g – IEC 60068-2-27
Vibration	10 g – IEC 60068-2-6
Approvals	CE, UKCA
Conforming to standards	EN 60947-5-1; AC-14 D300, DC-13 R300

\*IP68 sealing submerged in one meter of water for 24 hours

# MICRO SWITCH MINIATURE PRECISION LIMIT SWITCHES, 14CE SERIES

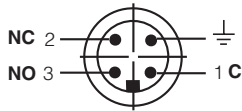
## SWITCHING AND LEAD IDENTIFICATION

### 14CE

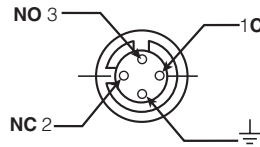


## PINOUTS

### Connector - (dc) (-Q)



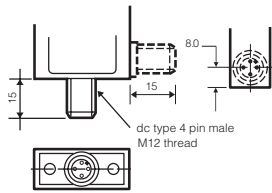
### Connector (ac) (-Q1)



## CONNECTOR VERSIONS

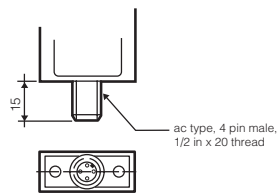
The 14CE Series is available with a 4-pin, M12 size connector in both bottom and side exit versions.

### -Q, -Q2 Versions



OPTION Q

### Q1 Version



OPTION Q1

## MOUNTING

MICRO SWITCH 14CE Series switches are mounted by using two M5 screws. The mounting holes are counter bored to keep the screw heads within the overall switch housing dimensions.

## GANG MOUNT CAPABILITY

The housing on the 14CE Series has been designed to enable the user to build his own multiple plunger switch by gang mounting several switches. All pin plunger and roller plunger types are suitable for gang mounting. There is a 16 mm distance between the plungers. Both Series are very versatile that even a lever-type version could be added at the end of the row.

## BOTTOM EXIT OR SIDE EXIT ORIENTATION

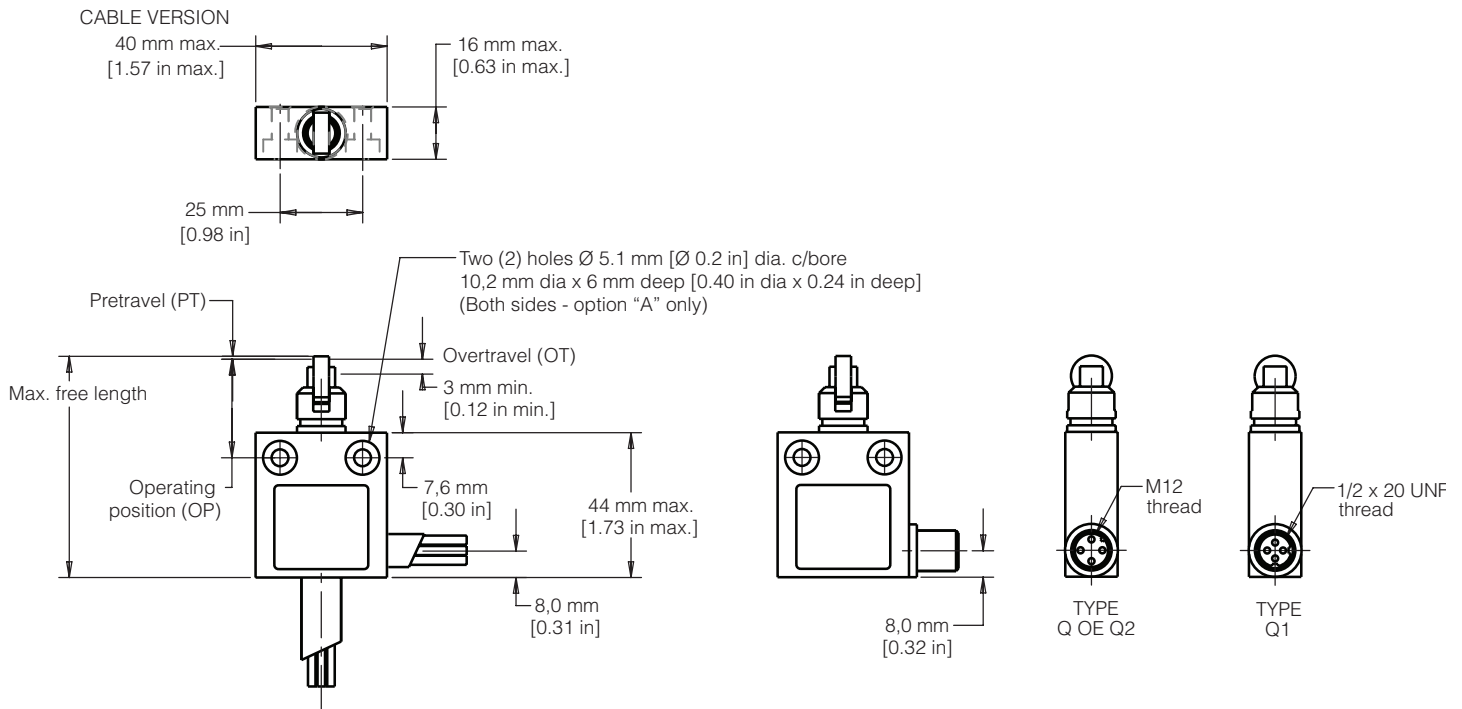
The CE Series has been designed with a pre-wired cable or connector fitted in the bottom of the switch housing. Other variations are available with a side-exit cable or connector.

## GOLD CONTACT VERSIONS

For low energy applications, gold contact versions of the 14CE switches can be supplied upon request.

# MICRO SWITCH MINIATURE PRECISION LIMIT SWITCHES, 14CE SERIES

## GENERAL DIMENSIONS • ALL SWITCHES



## PRODUCT NOMENCLATURE

14CE	16	—	3		
Switch Type	Actuator Type		Cable Length*	Options <sup>1,2</sup>	Connectors* (micro type)
<b>14CE Series Compact Precision Limit Switch</b>	<b>1</b> Top pin plunger	<b>22</b> Manually oper. nylon button	<b>1</b> 1 meter	<b>A</b> Side entry	<b>Q</b> dc type single keyway 4-pin male, M12
	<b>2</b> Top roller plunger, parallel	<b>27</b> Top pin plunger, panel mount	<b>2</b> 2 meters	<b>B</b> Elongated mounting holes	<b>Q1</b> ac type two keyways 4-pin male, 1/2-20
	<b>3</b> Top roller plunger, perp.	<b>28</b> Top roller plunger, parallel panel mount	<b>3</b> 3 meters	<b>D</b> Halogen-free cable	
	<b>16</b> Side rotary	<b>29</b> Top roller plunger, perp. panel mount	<b>4</b> 4 meters	<b>G</b> Gold contacts	
	<b>18</b> Top pin plunger w/ boot seal	<b>31</b> Top roller plunger, parallel boot seal	<b>5</b> 5 meters	<b>H</b> High temp., 150 °C	
	<b>19</b> Top adjustable pin plunger	<b>55</b> Top roller plunger, perp. boot seal		<b>L</b> Low temp., -40 °C switch and cable	
	<b>20</b> Coil wobble	<b>66</b> Top ball bearing plunger		<b>L1</b> Low temp., -40 °C, cable not for flexing	
				<b>P</b> Top mounting	
				<b>V</b> Viton® seals/gasket (side rotary and booted sealed plungers only)	

NOTE: not all combinations of model codes are available. Please contact your Honeywell provider/representative for assistance.

<sup>1</sup>More than one option may be permissible.

\* Select "Cable Length" or "Connectors"

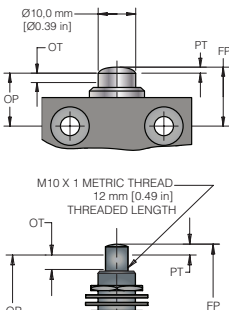
<sup>2</sup>OPTION K to be discontinued. Replaced with fluorocarbon diaphragm seal, standard switch.  
<sup>2</sup>OPTION KV to be discontinued. Replaced with fluorocarbon diaphragm seal, standard switch.

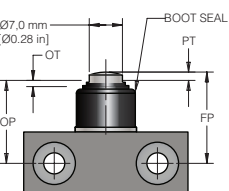
Bottom exit is standard.

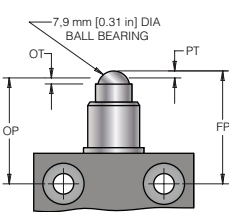
# MICRO SWITCH MINIATURE PRECISION LIMIT SWITCHES, 14CE SERIES

## PRODUCT SPECIFICATIONS AND LISTINGS

Contact your Honeywell rep or distributor for additional listings

14CE1 • Pin Plunger 14CE27 • Pin Plunger Panel Mount	Con- tacts	Elec Rating	Cable/ Connector Position	Free Posi- tion (FP)	Operating Position (OP)	Options	Listing	
 <p> <b>Pretravel</b> • 1,8 mm [0.071 in]  <b>Diff. travel</b> • 0,1 mm [0.004 in]  <b>Overtravel</b> • 3,0 mm [0.118 in]  <b>Oper. force</b> • 11,8 N [2.65 lb]                 </p>	GRY-BRN 17,5 GRY-BLK 15,7 GRY-BLK 12,7 GRY-BRN 15,8	Silver	A	Bottom	17,5 mm [0.69 in]	15,7 mm [0.62 in]	–	<b>14CE1-1</b>
	GRY-BLN 17,5 GRY-BLN 15,7 GRY-BLN 12,7 GRY-BLN 15,8	Gold	B	Bottom	17,5 mm [0.69 in]	15,7 mm [0.62 in]	Gold-plated contacts	<b>14CE1-1G</b>
	GRY-BLN 31,1 GRY-BLN 29,3 GRY-BLN 26,3 GRY-BRN 29,4	Silver	A	Side	17,5 mm [0.69 in]	15,7 mm [0.62 in]	Side exit cable	<b>14CE1-1A</b>
	GRY-BLN 31,1 GRY-BLN 29,3 GRY-BLN 26,3 GRY-BRN 29,4	Silver	C	Bottom	17,5 mm [0.69 in]	15,7 mm [0.62 in]	dc-type connector	<b>14CE1-Q</b>
	GRY-BLN 31,1 GRY-BLN 29,3 GRY-BLN 26,3 GRY-BRN 29,4	Silver	A	Bottom	31,1 mm [1.23 in]	29,3 mm [1.15 in]	Panel mount	<b>14CE27-1</b>

14CE18 • Boot Sealed Pin Plunger	Con- tacts	Elec Rating	Cable/ Connector Position	Free Posi- tion (FP)	Operating Position (OP)	Options	Listing	
 <p> <b>Pretravel</b> • 1,8 mm [0.071 in]  <b>Diff. travel</b> • 0,1 mm [0.004 in]  <b>Overtravel</b> • 3,0 mm [0.118 in]  <b>Oper. force</b> • 22,5 N [5.06 lb]                 </p>	GRY-BRN 26,7 GRY-BLK 24,9 GRY-BLN 21,9 GRY-BLN 25	Silver	A	Bottom	26,7 mm [1.05 in]	24,9 mm [0.98 in]	–	<b>14CE18-1</b>
	GRY-BLN 26,7 GRY-BLN 24,9 GRY-BLN 21,9 GRY-BLN 25	Silver	A	Side	26,7 mm [1.05 in]	24,9 mm [0.98 in]	Side exit cable	<b>14CE18-1A</b>
	GRY-BLN 26,7 GRY-BLN 24,9 GRY-BLN 21,9 GRY-BLN 25	Silver	C	Bottom	26,7 mm [1.05 in]	24,9 mm [0.98 in]	dc-type connector	<b>14CE18-Q</b>

14CE66 • Ball Bearing Plunger	Con- tacts	Elec Rating	Cable/ Connector Position	Free Posi- tion (FP)	Operating Position (OP)	Options	Listing	
 <p> <b>Pretravel</b> • 1,8 mm [0.071 in]  <b>Diff. travel</b> • 0,1 mm [0.004 in]  <b>Overtravel</b> • 3,0 mm [0.118 in]  <b>Oper. force</b> • 11,8 N [2.65 lb]                 </p>	GRY-BRN 26,2 GRY-BLK 24,4 GRY-BLN 21,4 GRY-BLN 24,5	Silver	A	Bottom	26,2 mm [1.03 in]	24,4 mm [0.96 in]	–	<b>14CE66-1</b>
	GRY-BLN 26,2 GRY-BLN 24,4 GRY-BLN 21,4 GRY-BLN 24,5	Silver	A	Side	26,2 mm [1.03 in]	24,4 mm [0.96 in]	Side exit cable	<b>14CE66-1A</b>

# MICRO SWITCH MINIATURE PRECISION LIMIT SWITCHES, 14CE SERIES

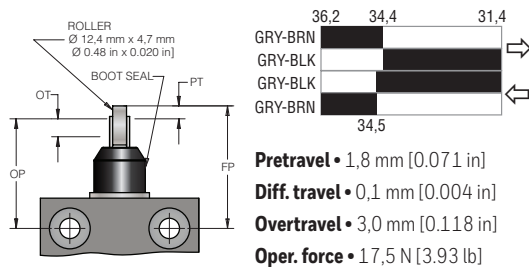
14CE2 • Roller Plunger 14CE28 • Roller Plunger Panel Mount	Con-tacts	Elec Rating	Cable/ Connector Position	Free Position (FP)	Operating Position (OP)	Options	Listing
<p><b>Pretravel</b> • 1,8 mm [0.071 in]  <b>Diff. travel</b> • 0,1 mm [0.004 in]  <b>Overtravel</b> • 3,0 mm [0.118 in]  <b>Oper. force</b> • 11,8 N [2.65 lb]</p>	Silver	A	Bottom	30,3 mm [1.19 in]	28,5 mm [1.12 in]	–	<b>14CE2-1</b>
	Gold	B	Bottom	30,3 mm [1.19 in]	28,5 mm [1.12 in]	Gold-plated contacts	<b>14CE2-1G</b>
	Silver	C	Bottom	30,3 mm [1.19 in]	28,5 mm [1.12 in]	dc-type connector	<b>14CE2-Q</b>
	Silver	A	Side	30,3 mm [1.19 in]	28,5 mm [1.12 in]	Side exit cable	<b>14CE2-1A</b>
	Silver	A	Bottom	44,3 mm [1.75 in]	42,5 mm [1.67 in]	Panel mount, 2 m cable	<b>14CE28-2</b>

14CE31 • Boot Sealed Roller Plunger	Con-tacts	Elec Rating	Cable/ Connector Position	Free Position (FP)	Operating Position (OP)	Options	Listing
<p><b>Pretravel</b> • 1,8 mm [0.071 in]  <b>Diff. travel</b> • 0,1 mm [0.004 in]  <b>Overtravel</b> • 3,0 mm [0.118 in]  <b>Oper. force</b> • 17,5 N [3.93 lb]</p>	Silver	A	Bottom	36,2 mm [1.43 in]	34,4 mm [1.36 in]	–	<b>14CE31-1</b>
	Silver	A	Bottom	36,2 mm [1.43 in]	34,4 mm [1.36 in]	Fluorocarbon seals, 6 m cable	<b>14CE31-6V</b>

14CE3 • Cross Roller Plunger	Con-tacts	Elec Rating	Cable/ Connector Position	Free Position (FP)	Operating Position (OP)	Options	Listing
<p><b>Pretravel</b> • 1,8 mm [0.071 in]  <b>Diff. travel</b> • 0,1 mm [0.004 in]  <b>Overtravel</b> • 3,0 mm [0.118 in]  <b>Oper. force</b> • 11,8 N [2.65 lb]</p>	Silver	A	Bottom	30,3 mm [1.19 in]	28,5 mm [1.12 in]	–	<b>14CE3-1</b>
	Silver	A	Side	30,3 mm [1.19 in]	28,5 mm [1.12 in]	3 m of cable, side exit	<b>14CE3-3A</b>
	Silver	C	Bottom	30,3 mm [1.19 in]	28,5 mm [1.12 in]	dc-type connector	<b>14CE3-Q</b>

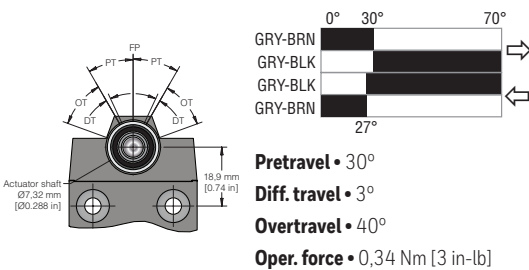
# MICRO SWITCH MINIATURE PRECISION LIMIT SWITCHES, 14CE SERIES

14CE55 • Boot Sealed Cross Roller Plunger	Con-tacts	Elec Rating	Cable/ Connector Position	Free Position (FP)	Operating Position (OP)	Options	Listing
---	-----------	-------------	---------------------------	--------------------	-------------------------	---------	---------



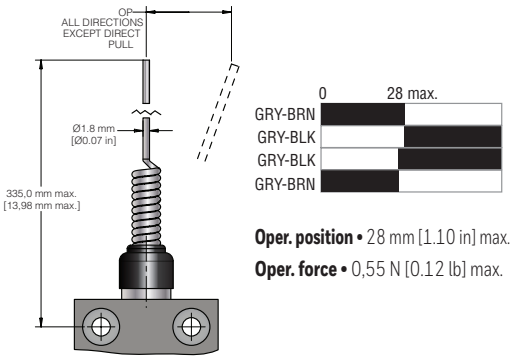
Silver	A	Bottom	36,2 mm [1.43 in]	34,4 mm [1.36 in]	3 meters of cable	<b>14CE55-3</b>
--------	---	--------	-------------------	-------------------	-------------------	-----------------

14CE16 • Side Rotary	Con-tacts	Elec Rating	Cable/ Connector Position	Free Position (FP)	Operating Position (OP)	Options	Listing
----------------------	-----------	-------------	---------------------------	--------------------	-------------------------	---------	---------



Silver	A	Bottom	0°	30°	–	<b>14CE16-1<sup>1</sup></b>
Gold	B	Bottom	0°	30°	Gold-plated contacts, 3 meters of cable	<b>14CE16-3G<sup>1</sup></b>
Silver	C	Bottom	0°	30°	dc-type connector	<b>14CE16-Q<sup>1</sup></b>

14CE20 • Random Motion Wire Actuator	Con-tacts	Elec Rating	Cable/ Connector Position	Free Position (FP)	Operating Position (OP)	Options	Listing
--------------------------------------	-----------	-------------	---------------------------	--------------------	-------------------------	---------	---------




Silver	A	Bottom	–	28 mm [1.10 in] max.	–	<b>14CE20-1</b>
--------	---	--------	---	----------------------	---	-----------------

<sup>1</sup> Switch operates on clockwise and counterclockwise rotation of lever shaft

Note: Most part numbers are shown with 1 meter of cable. The -X indicates the number of meters of cable provided: 2-meters, 3-meters, 4-meters, and 5-meters. Custom lengths are also available.

# MICRO SWITCH MINIATURE PRECISION LIMIT SWITCHES, 14CE SERIES

**TABLE 3. LEVERS FOR USE WITH 14CE SIDE ROTARY SWITCHES**

	Catalog Listing	Roller Material	Roller Dia. mm [in]	Roller Width mm [in]
<b>Fixed length lever; 38,1 mm [1.5 in] radius</b>				
	GLZ51A	Nylon	19,0 [0.75]	6,35 [0.25]
	GLZ51B	Steel	19,0 [0.75]	6,35 [0.25]
	GLZ51C	Nylon	25,4 [1.00]	12,7 [0.50]
	GLZ51E	Bronze	19,0 [0.75]	6,35 [0.25]
	GLZ51T	SST	19,0 [0.75]	9,5 [0.38]
<b>Fixed length offset lever; 38,1 mm [1.5 in] radius</b>				
	GLZ55A	Nylon	19,0 [0.75]	6,35 [0.25]
	GLZ55B	Steel	19,0 [0.75]	6,35 [0.25]
	GLZ55E	Bronze	19,0 [0.75]	6,35 [0.25]
<b>Adjustable 38,1 mm to 89,0 mm [1.5 in to 3.5 in] radius</b>				
	GLZ52A	Nylon	19,0 [0.75]	6,35 [0.25]
	GLZ52B	Steel	19,0 [0.75]	6,35 [0.25]



## WARRANTY/REMEDY

Honeywell warrants goods of its manufacture as being free of defective materials and faulty workmanship during the applicable warranty period. Honeywell's standard product warranty applies unless agreed to otherwise by Honeywell in writing; please refer to your order acknowledgment or consult your local sales office for specific warranty details. If warranted goods are returned to Honeywell during the period of coverage, Honeywell will repair or replace, at its option, without charge those items that Honeywell, in its sole discretion, finds defective. The foregoing is buyer's sole remedy and is in lieu of all other warranties, expressed or implied, including those of merchantability and fitness for a particular purpose. In no event shall Honeywell be liable for consequential, special, or indirect damages.

While Honeywell may provide application assistance personally, through our literature and the Honeywell web site, it is buyer's sole responsibility to determine the suitability of the product in the application.

Specifications may change without notice. The information we supply is believed to be accurate and reliable as of this writing. However, Honeywell assumes no responsibility for its use.

## FOR MORE INFORMATION

Honeywell Advanced Sensing Technologies services its customers through a worldwide network of sales offices and distributors. For application assistance, current specifications, pricing or the nearest Authorized Distributor, visit [our website](#) or call:

USA/Canada	+1 302 613 4491
Latin America	+1 305 805 8188
Europe	+44 1344 238258
Japan	+81 (0) 3-6730-7152
Singapore	+65 6355 2828
Greater China	+86 4006396841

### Honeywell Advanced Sensing Technologies

830 East Arapaho Road  
Richardson, TX 75081  
[sps.honeywell.com/ast](http://sps.honeywell.com/ast)

002387-6-EN | 6 | 06/21  
© 2021 Honeywell International Inc. All rights reserved.

## WARNING MISUSE OF DOCUMENTATION

- The information presented in this product sheet is for reference only. Do not use this document as a product installation guide.
- Complete installation, operation, and maintenance information is provided in the instructions supplied with each product.

**Failure to comply with these instructions could result in death or serious injury.**

**Honeywell**