

bq27000 Single Cell Battery Fuel Gauge Evaluation Module

The bq27000EVM is a complete evaluation system for the bq27000 single cell Li-Ion and Li-Polymer battery gas gauge device.

Contents

1	Introduction	2
2	bq27000EVM Based Circuit Module	2
3	bq27000EVM Circuit Module Schematic	3
4	Circuit Module Physical Layouts	4
5	bq27000EVM Circuit Module List of Materials	7
6	bq27000EVM Circuit Module Performance Specification Summary	7
7	EVM Hardware and Software Setup	8
8	Operation	9

List of Figures

1	bq27000EVM Schematic.....	3
2	bq27000EVM Topside Assembly	4
3	bq27000EVM Silkscreen	4
4	bq27000EVM Layer 1 Layout	5
5	bq27000EVM Layer 2 Layout	5
6	bq27000EVM Layer 3 Layout	6
7	bq27000EVM Layer 4 Layout	6
8	bq27000EVM Circuit Module Connection to Cells and System Load/Charger	8
9	Initial Register Screen	9
10	EEPROM Screen	10
11	Pro Screen	12
12	Calibration Screen.....	13

List of Tables

1	Ordering Information.....	2
2	Test Points	2
3	List of Materials	7
4	Performance Specification Summary.....	7
5	Circuit Module-to-EV2300 Connection	9
6	Example Data Log.....	14

1 Introduction

The bq27000EVM includes one bq27000 circuit module, CD ROM including Windows®-based PC software and support documentation. An EV2300 board for gas gauge evaluation is required to interface this EVM with the PC and can be purchased separately. The circuit module includes one bq27000, a current sense resistor and all other components on-board necessary to calculate remaining battery capacity and predict system run-time to empty. The circuit module connects directly across the cell in a battery. With the PC interface board and software, the user can read the bq27000 data registers, program the on-chip configuration EEPROM, and evaluate the functions of the bq27000 under different charge and discharge conditions.

1.1 Features

- Complete evaluation system for the bq27000 battery gas gauge
- Populated circuit module for quick setup
- PC software and interface board for easy evaluation
- Software allows EEPROM programming and data logging for system analysis

1.2 Kit Contents

1. bq27000 circuit module with sense resistor
2. CD ROM including Windows-based PC software and support documentation
3. Set of support documentation

1.3 Ordering Information

Table 1. Ordering Information

EVM PART NUMBER	PC INTERFACE BOARD	CHEMISTRY	PACK VOLTAGE	CAPACITY
BQ27000EVM	USB	Li-Ion	2.6 v to 4.5 V	100 to 2000 mah

2 bq27000EVM Based Circuit Module

The bq27000EVM based circuit module is an example circuit for battery fuel gauging of a single cell Li-Ion/Li-Polymer battery pack. There are two separate circuits on the EVM module. One is the active bq27000 fuel gauging circuitry; the other is the logic and power control to program the on-chip configuration EEPROM of the bq27000. In a typical application, only the active fuel gauging circuitry is required. The EEPROM programming circuitry would be required in a test setup to configure the bq27000 for the application by programming the EEPROM.

Contacts on the circuit module provide direct connection to the cell (J1-1, J2-2), the serial communications port (J1-3). The system load and charger connect across J1-1 and J2-1.

Table 2. Test Points

TEST POINT	SIGNAL NAME	DESCRIPTION
J1-1	PACK+	Cell positive/pack positive
J1-2	SCL	Not used with this product
J1-3	SDA/HDQ	Single-wire HDQ line
J2-1	PACK-	Pack negative
J2-2	BAT-	Cell negative
J3-1	21V	High voltage for EEPROM programming
J3-2	PROG	Input for timing of EEPROM programming pulse
J3-3	GPIO/ADIN	GPIO pin of bq27000

3 bq27000EVM Circuit Module Schematic

Figure 1 shows the bq27000EVM circuit module schematic diagram.

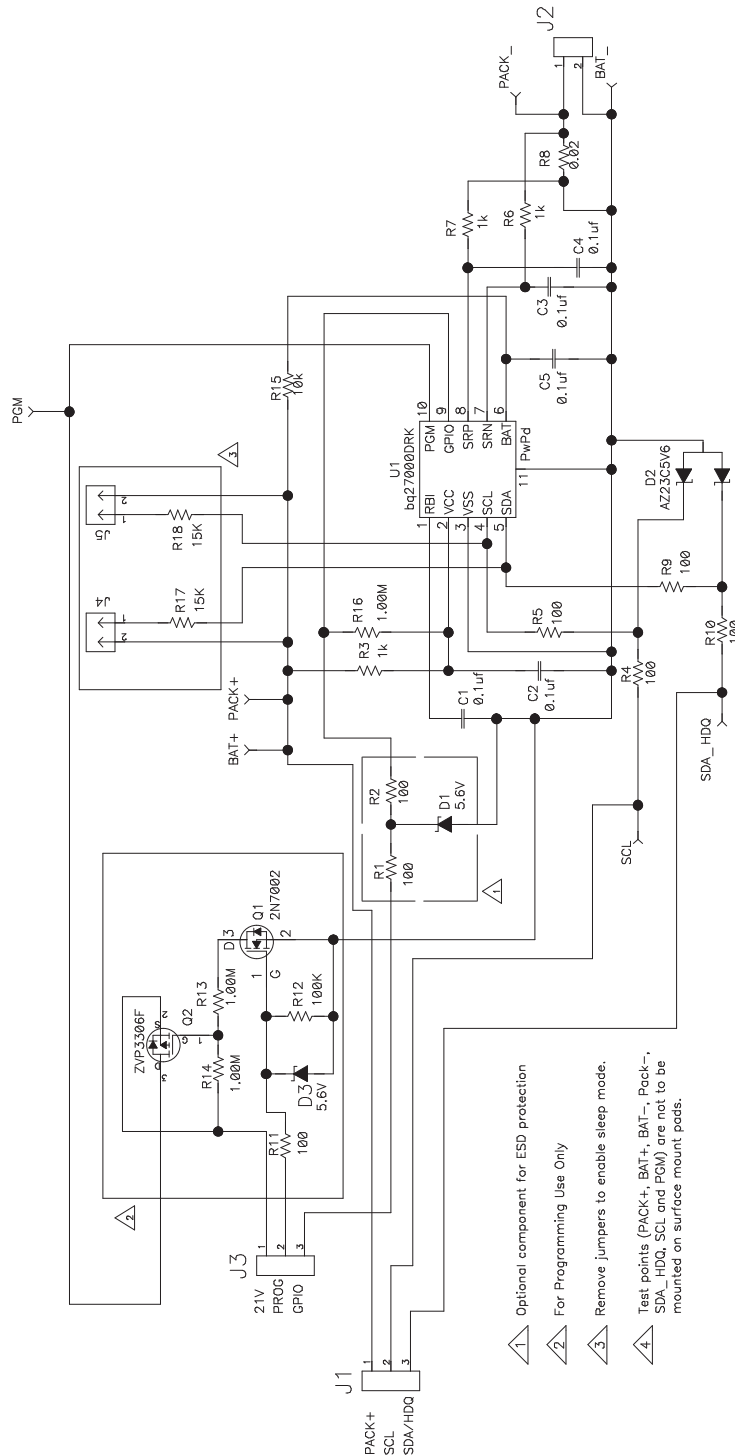


Figure 1. bq27000EVM Schematic

- 1. Optional component for ESD protection
- 2. For Programming Use Only
- 3. Remove jumpers to enable sleep mode.
- 4. Test points (PACK+, BAT+, BAT-, Pack-, SDA, HDQ, SCL and PGM) are not to be mounted on surface mount pads.

4 Circuit Module Physical Layouts

Figure 2 through Figure 7 show the PCB layers and assembly drawing for the bq27000EVM circuit module.

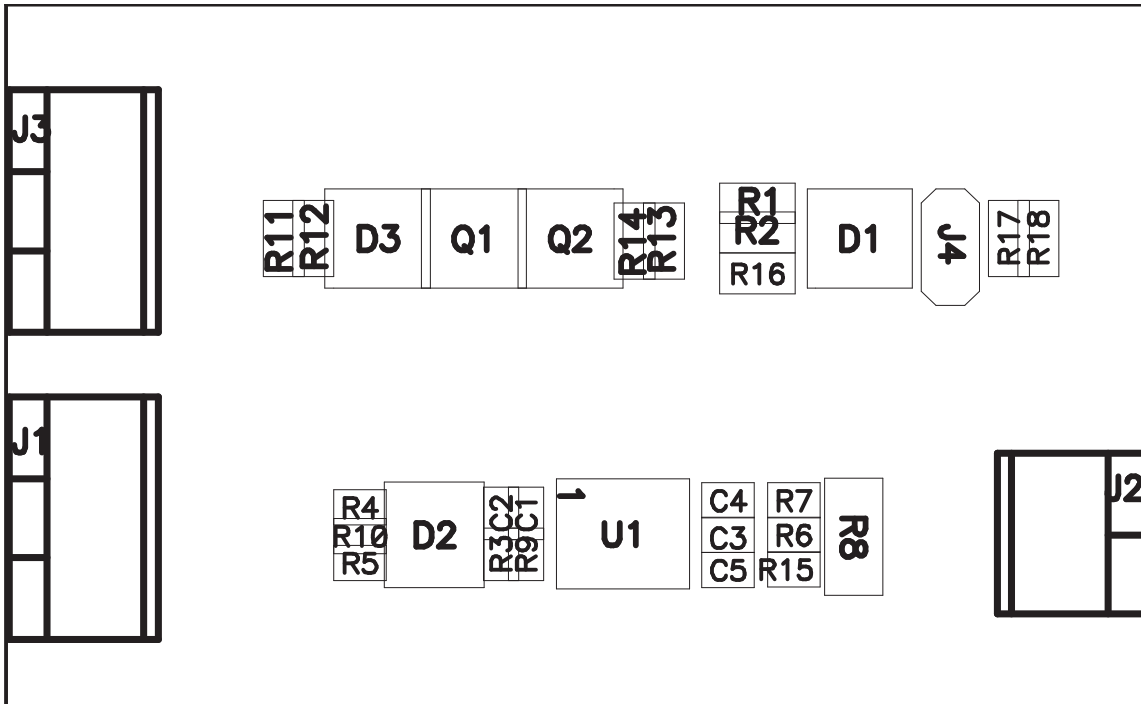


Figure 2. bq27000EVM Topside Assembly

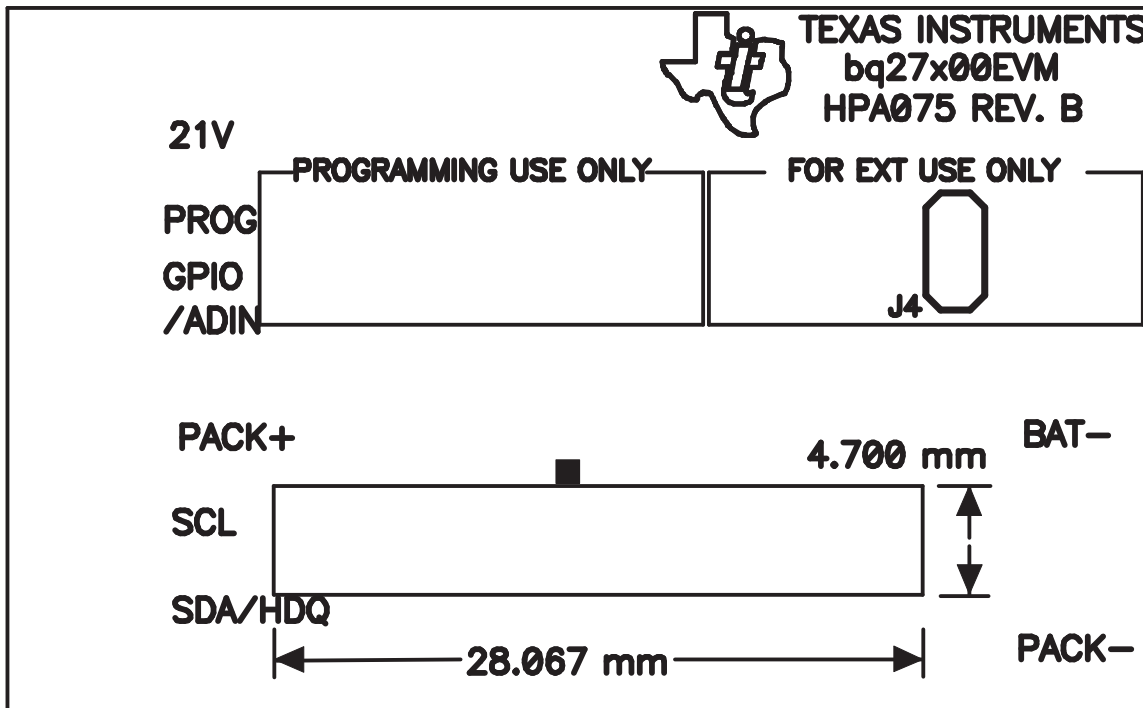


Figure 3. bq27000EVM Silkscreen

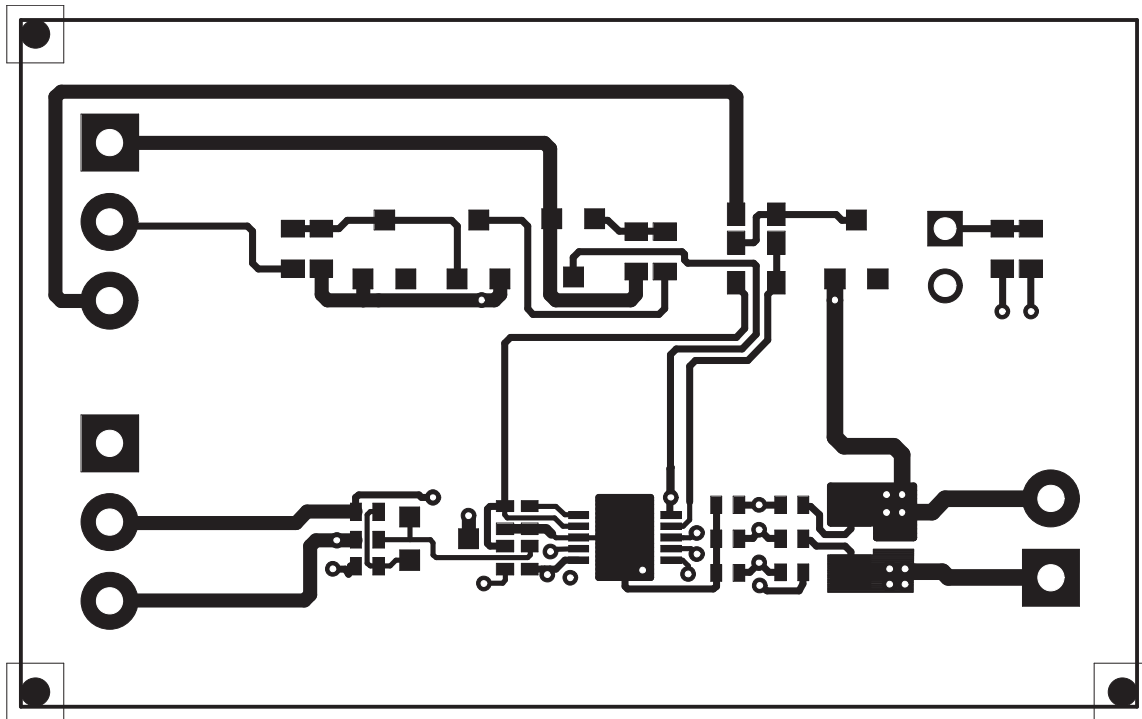


Figure 4. bq27000EVM Layer 1 Layout

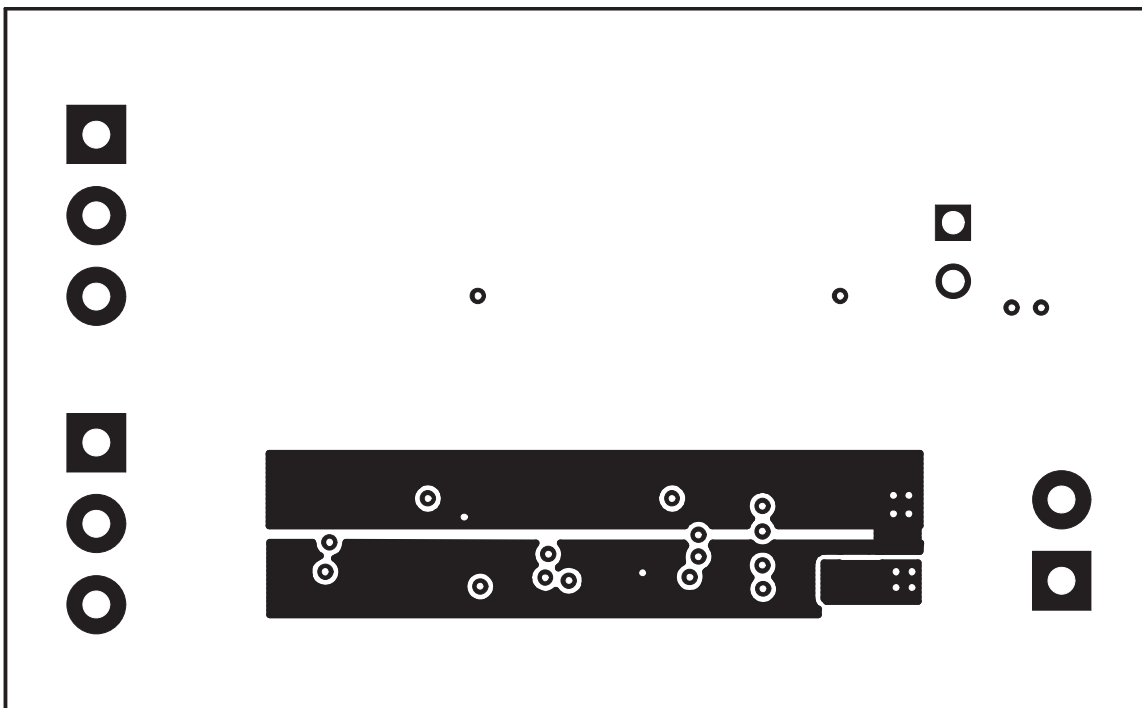


Figure 5. bq27000EVM Layer 2 Layout

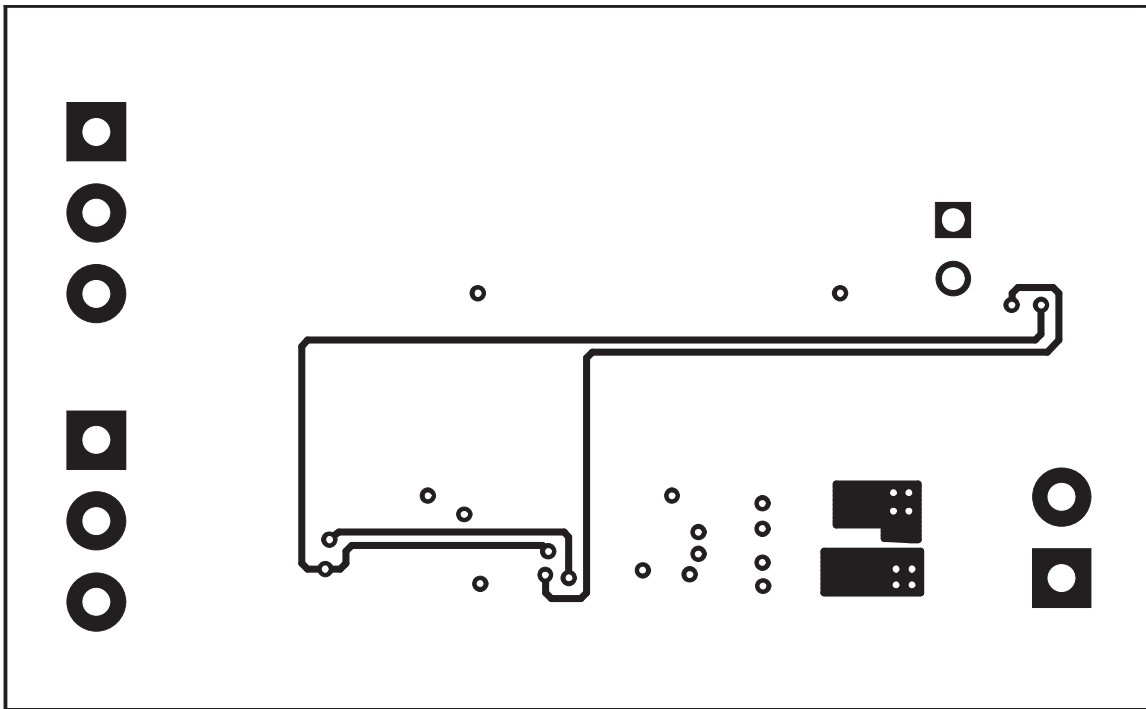


Figure 6. bq27000EVM Layer 3 Layout

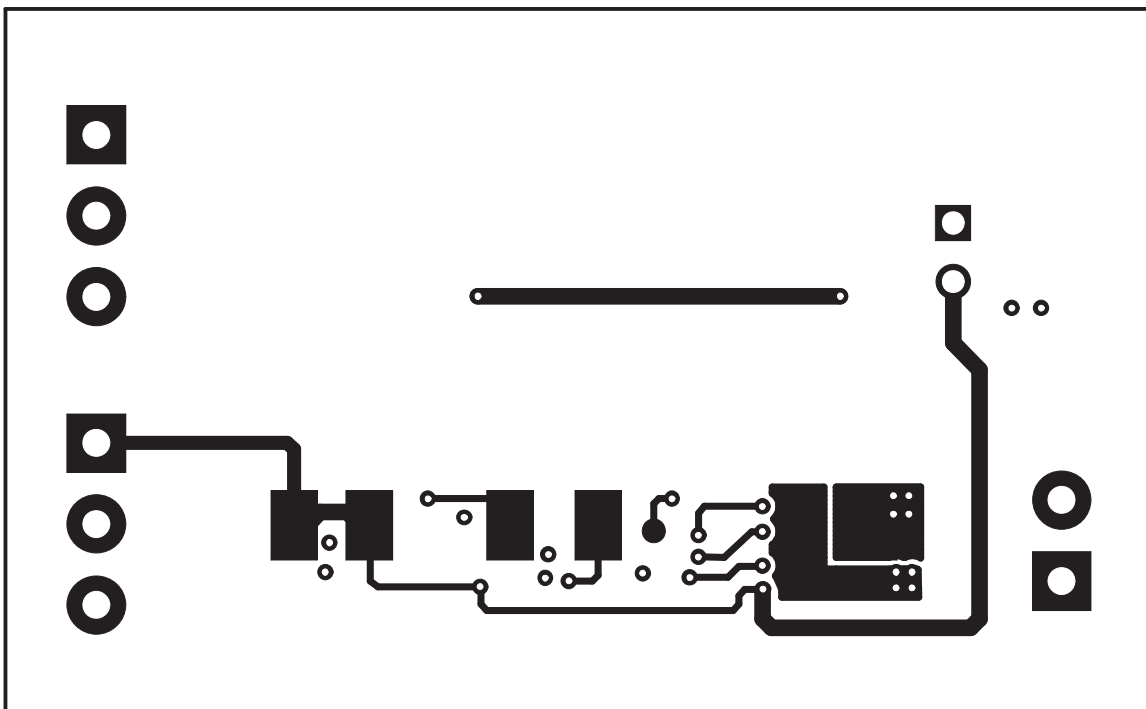


Figure 7. bq27000EVM Layer 4 Layout

5 bq27000EVM Circuit Module List of Materials

Table 3 contains the list of materials required for the bq27000EVM circuit module.

Table 3. List of Materials

REF DES	QTY	DESCRIPTION	MFR	PART NUMBER
C1, C2, C3, C4, C5	5	Capacitor, ceramic, 0.1 μ F, 10 V, X5R, 402	Murata	GRM155R61A104KA01D
D1, D3	2	Diode, Zener, 5.6 V, 350 mW, SOT23	Diodes, Inc.	BZX84C5V6T
D2	1	Diode, Dual, Zener, 5.6 V, 300 mW, SOT23	Diodes, Inc.	AZ23C5V6
Q1	1	MOSFET, N-channel, 2N7002, 60 V, 250 mA, 3 Ω , SOT23	Vishay-Siliconix	2N7002E
Q2	1	MOSFET, P-channel, ZVP3306, -60 V, 0.09 A, 14 Ω , SOT23	Zetex	ZVP3306
R1, R2, R11	3	Resistor, chip, 100 Ω , 1/16 W, 5%, 603	Std	Std
R13, R14, R16	3	Resistor, chip, 1 M Ω , 1/16 W, 5%, 603	Std	Std
R12	1	Resistor, chip, 100 k Ω , 1/16 W, 5%, 603	Std	Std
R3	1	Resistor, chip, 1 k Ω , 1/16 W, 5%, 402	Std	Std
R4, R5, R9, R10	4	Resistor, chip, 100 Ω , 1/16 W, 5%, 402	Std	Std
R6, R7, R15	3	Resistor, chip, 10 Ω , 1/16 W, 5%, 402	Std	Std
R8	1	Resistor, chip, 0.02 Ω , 0.25 W, 1%, 1206	Vishay	WSL1206
U1	1	Single cell Li-Ion/Polymer gas gauge device, QFN	Texas Instruments	bq27000DRK
J1, J3	2	Terminal blocks, 3 position	OST	ED1515
J2	1	Terminal blocks, 2 position	OST	ED1514
N/A	1	PCB	Any	HPA033

6 bq27000EVM Circuit Module Performance Specification Summary

Table 4 gives the performance specifications of the bq27000EVM circuit module.

Table 4. Performance Specification Summary

SPECIFICATION	MIN	TYP	MAX	UNIT
Input Voltage PACK+/BAT-	2.6		4.5	V
Charge and Discharge Current ⁽¹⁾			2.5	A

⁽¹⁾ Charge and discharge max. is limited by the PCB design and power dissipation of the 20-m Ω 1/4-W sense resistor included in the kit.

7 EVM Hardware and Software Setup

This section describes how to install the bq27000EVM PC software and how to connect the different components of the EVM.

7.1 Software Installation

The following steps install the bq27000 evaluation software:

1. Insert CD ROM into a CD ROM drive.
2. Select the CD ROM drive using **My Computer** or **File Manager**.
3. Select the ReadMeFirst.txt file.
4. Follow the instructions to install USB drivers for EV2300.
5. After installing the USB drivers for EV2300, double-click on the Setup.exe icon.
6. The setup program installs a windows application group

7.2 Hardware Connection

There are three hardware components to the bq27000EVM:

- The bq27000EVM circuit module,
- The PC interface board, (EV2300 – available separately)
- And the PC.

7.2.1 Connecting the bq27000EVM Circuit Module to a Battery Pack

Figure 8 shows how to connect the bq27000EVM circuit module to a Li-Ion cell and the system load/charger.

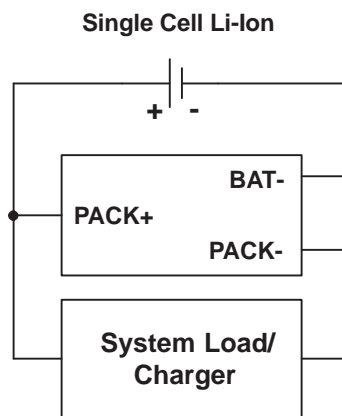


Figure 8. bq27000EVM Circuit Module Connection to Cells and System Load/Charger

7.2.2 PC Interface Connection

The following steps configure the hardware for interface to the PC:

1. Connect colored wires that are included with EV2300 to bq27000EVM using [Table 5](#) as a guide.
2. Connect the connector with colored wires to the HDQ connector that is on EV2300. HDQ connection is located on the top right of EV2300.
3. Connect the PC USB cable to the EV2300 and the PC USB port.

The bq27000EVM is now set up for operation.

Table 5. Circuit Module-to-EV2300 Connection

bq27000EVM	COLOR
SDA/HDQ	BROWN
PACK-	BLACK
PROG	WHITE
PACK+ ⁽¹⁾	RED

⁽¹⁾ This connection is not useful when using a system load, charger or a power source (battery or external power supply). The red wire of the EV2300 connector gives access to a low power 3.3V output when connected to HDQ section of EV2300. Shield this wire when not in use to avoid contacts with other connections such as ground.

8 Operation

8.1 Starting the Program

Run the program from the **Start|Programs|Texas Instruments|bq27X00 Battery Gas Gauge** menu sequence. The software defaults to PC USB port for communication. If the EV2300 is connected to USB port, the program should load and display the initial data screen. If it is the first time that the program is used then the user will be prompted to select between bq27000 or bq27200. Select bq27000 (HDQ) and then press continue button.

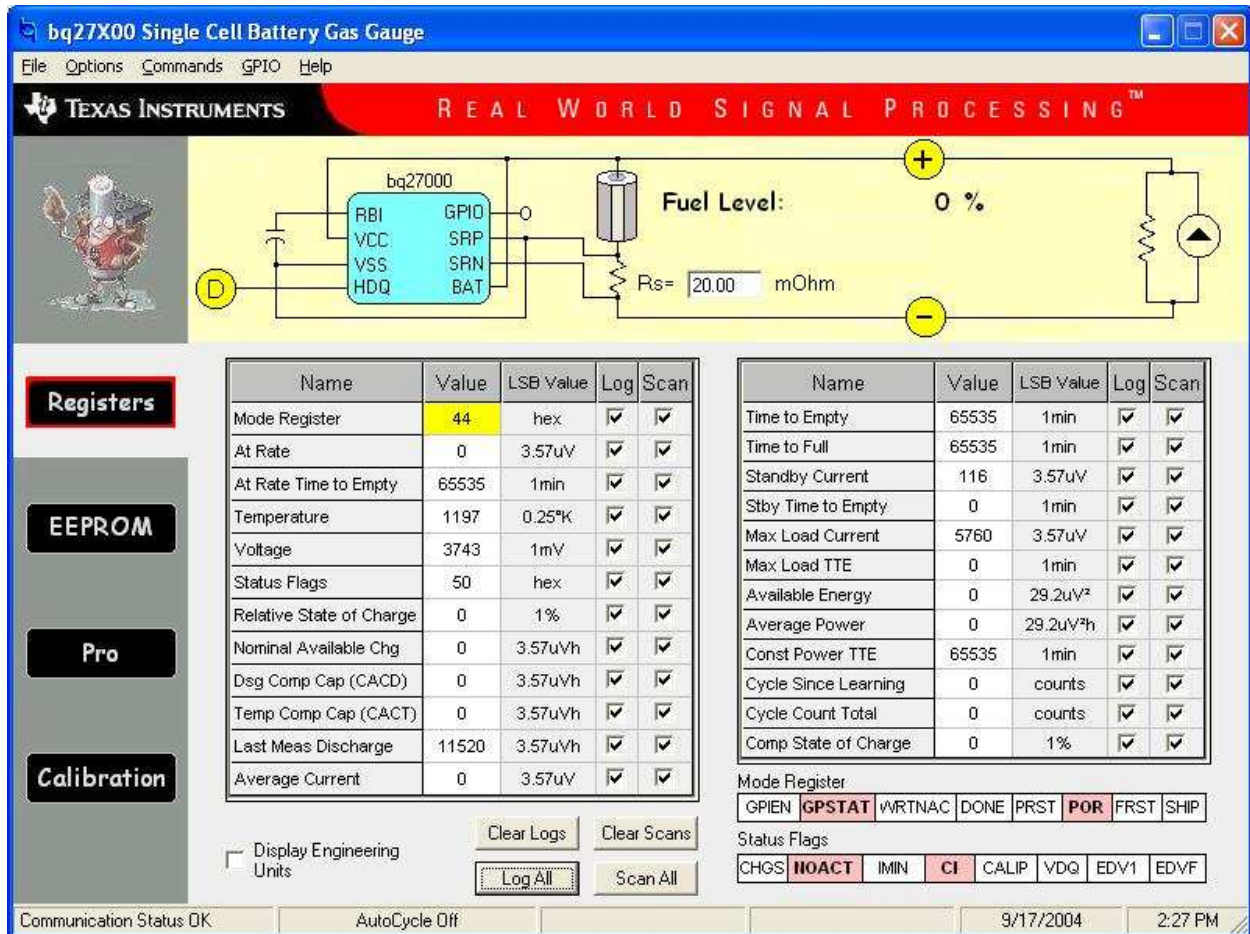


Figure 9. Initial Register Screen

If the EV2300 is not connected to a USB port, the program will display a USB error message and then display the initial data screen with no data in the register locations.

The com port can be changed by selecting the port under the options menu.

8.2 Initialization

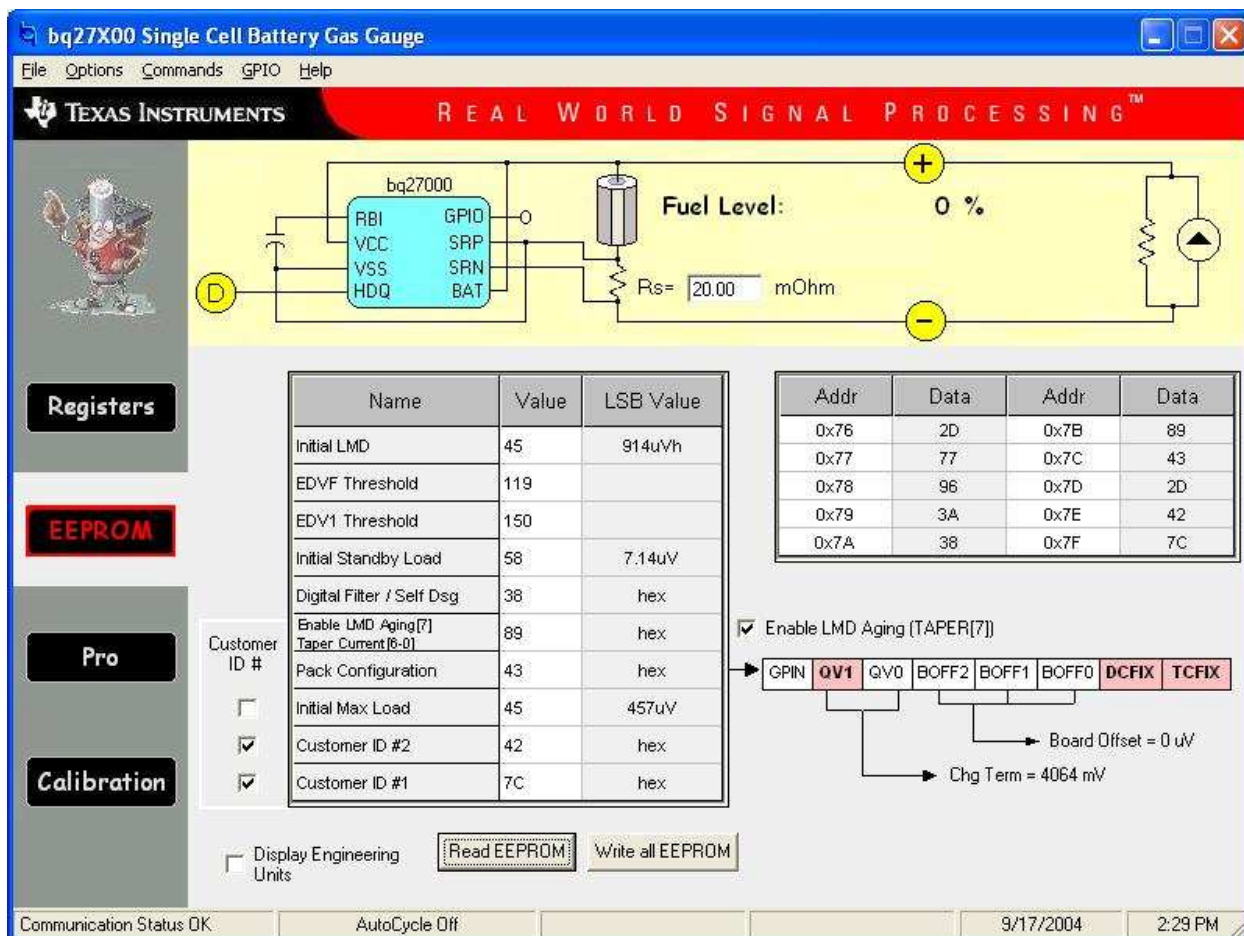
This section describes the settings that must be made before the bq27000 is evaluated.

8.2.1 Loading the Sense Resistor Value

The bq27000EVM comes with a 20-mΩ sense resistor on the circuit board. Make sure the sense resistor value is entered in the RS box at the top of the initial register screen. This value is used by the PC program to convert the bq27000 data set to engineering units. Checking the display engineering units box displays the data set in engineering units. No check mark displays the data set just as the bq27000 calculates them, i.e., in units of 3.57-μV/h counts.

8.2.2 Programming the bq27000 EEPROM

Each bq27000 is programmed at the factory with default values in the EEPROM. The values in EEPROM should be changed to match specific applications. The EEPROM values can be read by using the EEPROM screen.



The screenshot shows the 'EEPROM' screen of the 'bq27X00 Single Cell Battery Gas Gauge' software. The interface includes a circuit diagram at the top showing the bq27000 chip connected to a battery and a sense resistor (Rs = 20.00 mOhm). The 'Fuel Level' is displayed as 0%. Below the diagram are several sections:

- Registers:** A table listing various registers and their values.
- EEPROM:** A table showing the current EEPROM data.
- Customer ID #:** A section for configuring customer IDs.
- Buttons:** 'Read EEPROM' and 'Write all EEPROM' buttons.
- Display Engineering Units:** A checkbox option.
- Status Bar:** Shows 'Communication Status OK', 'AutoCycle Off', and the date/time '9/17/2004 2:29 PM'.

Name	Value	LSB Value
Initial LMD	45	914uVh
EDVF Threshold	119	
EDV1 Threshold	150	
Initial Standby Load	58	7.14uV
Digital Filter / Self Dsg	38	hex
Enable LMD Aging [7] Taper Current [6-0]	89	hex
Pack Configuration	43	hex
Initial Max Load	45	457uV
Customer ID #2	42	hex
Customer ID #1	7C	hex

Addr	Data	Addr	Data
0x76	2D	0x7B	89
0x77	77	0x7C	43
0x78	96	0x7D	2D
0x79	3A	0x7E	42
0x7A	38	0x7F	7C

Customer ID #

Initial Max Load

Customer ID #2

Customer ID #1

Display Engineering Units

Enable LMD Aging (TAPER[7])

GPIN QV1 QV0 BOFF2 BOFF1 BOFF0 DCFIX TCFIX

Board Offset = 0 uV

Chg Term = 4064 mV

Figure 10. EEPROM Screen

The values in the EEPROM can be easily changed using the EVMs auto programming feature. To use the auto program feature:

1. Make sure VOUT of the EV2300 is connected to PROG of the EVM
2. Connect a 21-V supply across 21 V (J3-1) and BAT- (J2-2)

To change the EEPROM values simply click on the value to be changed, enter the new value, and press enter.

The EEPROM values can be stored in a file on the PC by using the **File|Save Gas Gauge Flash Constants** command from the pull down menu. Similarly, a saved file can be load by using the **File|Open Gas Gauge Flash Constants** command. Once the file is called up, the Write all EEPROM button can be used to write all the EEPROM values at once.

NOTE: Changing EEPROM data affects critical aspects of the bq27000 operation. Please review the bq27000 data sheet to determine how to develop new data for the EEPROM based on your application. It is recommended to first save the default EEPROM data as a file first before changing the data. In this way, the default data programming can easily be restored.

The bq27000 automatically uses the new EEPROM in its calculations once programmed.

8.2.3 Resetting the bq27000

The bq27000 can be reset at anytime by using the **Options|Special Options|Reset bq27000** from the pulldown menu. When reset, the bq27000 loads the configuration values from EEPROM and set the remaining capacity registers to zero.

8.3 The Registers Screen

In the Registers screen all of bq27000's RAM registers are displayed.

8.3.1 Options Menu

This menu allows the user to select among different options. These options include whether or not to enable scan of registers, select the file logging time rate, select the type of communication protocol (HDQ or I2C) and select the type of communication interface (EV2300 or EV2200).

8.3.2 Commands Menu

With bq27000 there are several commands that are performed by setting the appropriate bit in the MODE register and then writing 0xA9 into address 0x00. With the Commands menu of the EVSW the user may perform the commands automatically. Among the selections are:

- WRTNAC - If a user desires to write the NAC register to a specific value, the user would write that value to the AT RATE register and then select WRTNAC from the Commands menu.
- DONE - The user selects DONE when charging is complete and the monitor is not able to detect taper current. It forces an update of internal registers to represent a full battery condition.
- PRST - This command causes a reset except that NAC, LMD and the CI bit in FLAGS register are not restored to initial values. This command is intended for manufacturing use.
- FRST - This command will re-initialize all RAM registers. This command is intended for manufacturing use.
- SHIP - Once this command is given the bq27000 will enter ship mode if the HDQ has been pulled low for at least 18 seconds. A full reset is forced when the part leaves ship mode.

8.3.3 GPIO Menu

This menu selects the function of the GPIO pin as an output or input. If selected as an output, the open drain output can be set to on or off.

8.4 The EEPROM Screen

The EEPROM screen allows the user to read and write the 10 EEPROM registers of bq27000. There are checkboxes (*Enable LMD Aging*, *Customer ID #*) that when its status are changed it will cause an automatic write to the EEPROM to ensure that the selections apply accordingly. Always when writing to the EEPROM ensure that the 21V pulse to PROG pin is available.

When selecting the status of Customer ID #1 (DCOMP) and Customer ID #2 (TCOMP), the DCFIX and TCFIX bits in the Pack Configuration EEPROM register will also be written. For example, if the DCOMP is set for discharge compensation then the DCFIX bit will be clear. If the DCOMP register is selected to be used as Customer ID #2 then the DCFIX bit will be set.

The Taper Current EEPROM register includes the Taper Current value (bits 0-6) and the Enable Last Measure Discharge Aging (bit 7). When registers are displayed with engineering units, the value shown for Taper Current is just taking in consideration bits 0-6. The user must rely on the *Enable LMD Aging* checkbox to determine this feature. When registers are not displayed in engineering units, the value shown for Taper Current includes all 8 bits of this register represented in hex.

8.5 The Pro Screen

The pro screens allows the data location in the bq27000 to be addressed individually by entering the address to be read or the address and data to be written.

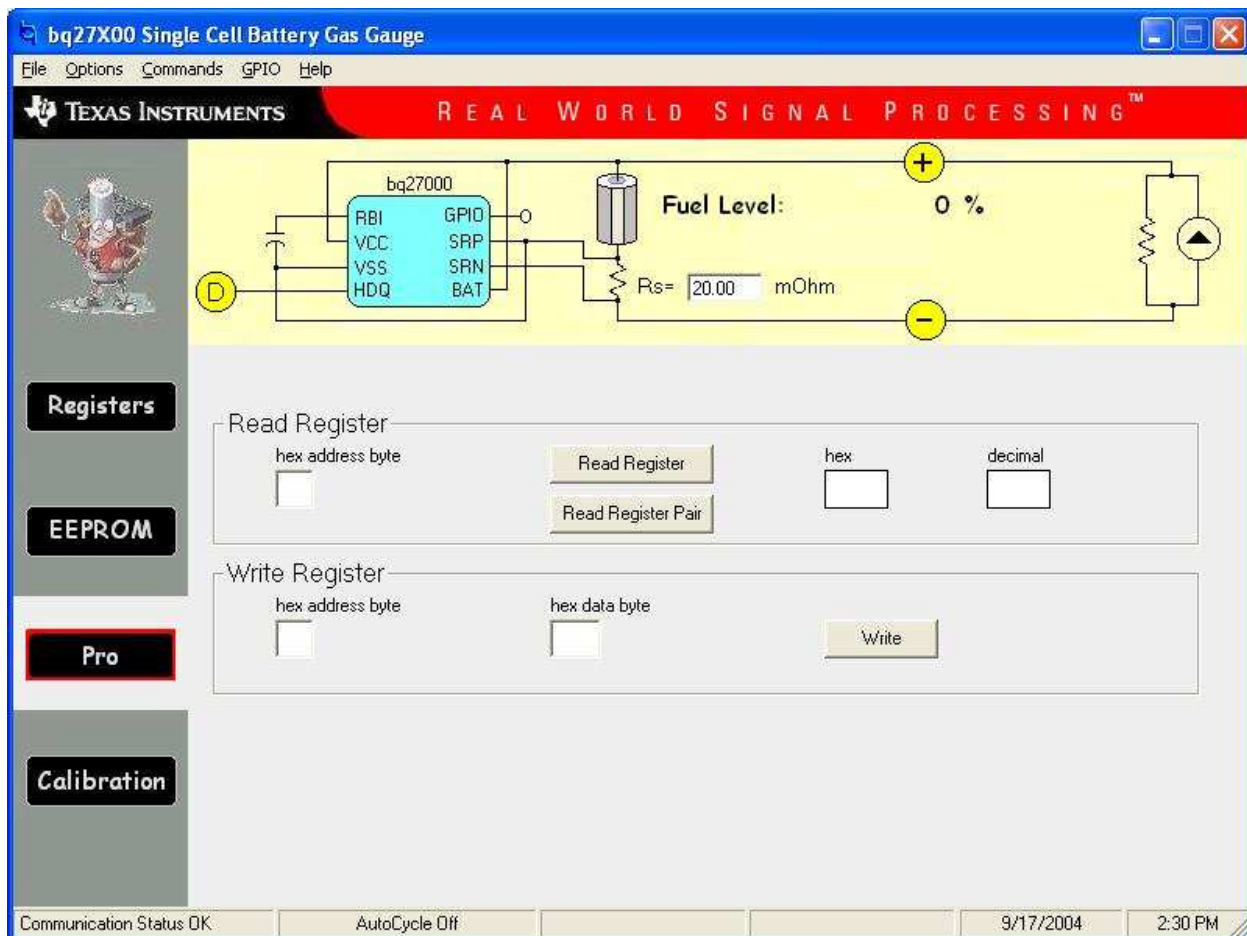


Figure 11. Pro Screen

8.6 The Calibration Screen

The Calibration screen allows the user to perform the CIO and CEO commands automatically. There are two ways to use the commands. Each command can be called individually or the board offset can be determined by selecting **Compute Board Offset** button. The result given by computing the board offset could be used to program the BOFF bits at the Pack Configuration EEPROM register.

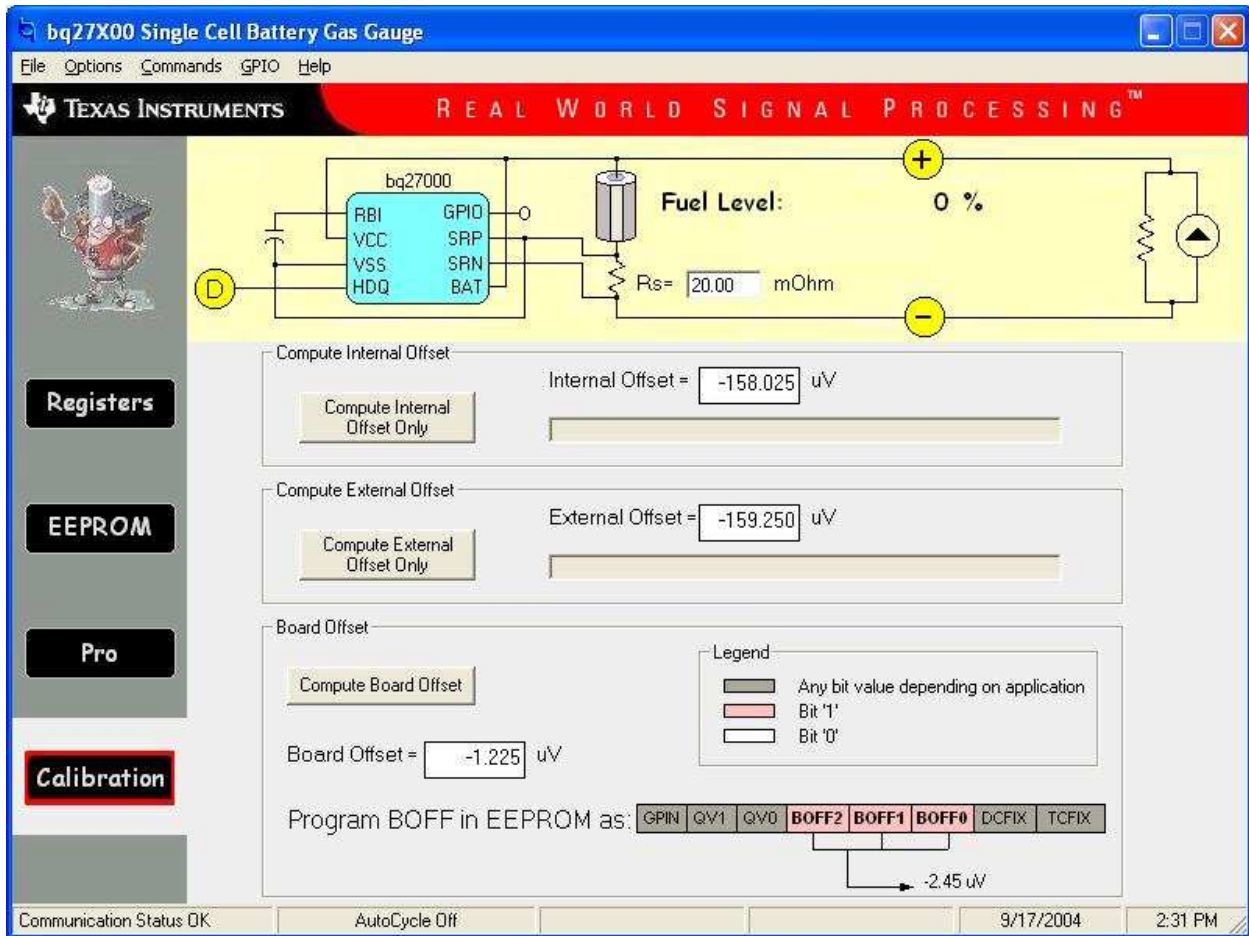


Figure 12. Calibration Screen

8.7 Data Logging

The bq27000 registers can be logged by using the data log function. To log the data and create a log file:

1. Select the registers to log by clicking on the corresponding **Log** box in each row of data.
2. **File|Start Data Log** from the pull-down menu.
3. Enter the name of the data log file in the **Name Datalog File** box
4. Click on the **Open** button
5. To stop the data logging select **File|Close Data Log** from the pull-down menu

The file can be imported into a text editor, spreadsheet, or word processor program.

Table 6. Example Data Log

SAMPLE	STAMP	ELAPSED (s)	VOLTAGE	NAC	TEMP COMP
1	3:31:30 PM	10	3829	1084.58	1084.58
2	3:31:40 PM	20	3829	1086.26	1086.26
3	3:31:50 PM	30	3832	1087.48	1087.48
4	3:32:00 PM	40	3800	1087.48	1087.48
5	3:32:10 PM	50	3786	1087.48	1087.48
6	3:32:20 PM	60	3786	1087.48	1087.48
7	3:32:30 PM	70	3630	1087.78	1087.78
8	3:32:40 PM	80	3622	1084.12	1064.91
9	3:32:50 PM	90	3614	1081.68	1062.47
10	3:33:00 PM	100	3609	1078.02	1060.03
11	3:33:10 PM	110	3603	1075.74	1033.34
12	3:33:20 PM	120	3754	1075.74	1033.34
13	3:33:30 PM	130	3762	1075.74	1033.34
14	3:33:40 PM	140	3765	1075.74	1033.34
15	3:33:50 PM	150	3767	1075.74	1033.34
16	3:34:00 PM	160	3622	1073.91	1032.73
17	3:34:10 PM	170	3609	1072.69	1032.73
18	3:34:20 PM	180	3598	1070.25	1032.73
19	3:34:30 PM	190	3593	1065.52	1032.73
20	3:34:40 PM	200	3695	1065.52	1032.73
21	3:34:50 PM	210	3810	1065.52	1032.73
22	3:35:00 PM	220	3810	1065.52	1032.73
23	3:35:10 PM	230	3813	1065.52	1032.73
24	3:35:20 PM	240	3767	1065.52	1032.73

EVALUATION BOARD/KIT/MODULE (EVM) ADDITIONAL TERMS

Texas Instruments (TI) provides the enclosed Evaluation Board/Kit/Module (EVM) under the following conditions:

The user assumes all responsibility and liability for proper and safe handling of the goods. Further, the user indemnifies TI from all claims arising from the handling or use of the goods.

Should this evaluation board/kit not meet the specifications indicated in the User's Guide, the board/kit may be returned within 30 days from the date of delivery for a full refund. THE FOREGOING LIMITED WARRANTY IS THE EXCLUSIVE WARRANTY MADE BY SELLER TO BUYER AND IS IN LIEU OF ALL OTHER WARRANTIES, EXPRESSED, IMPLIED, OR STATUTORY, INCLUDING ANY WARRANTY OF MERCHANTABILITY OR FITNESS FOR ANY PARTICULAR PURPOSE. EXCEPT TO THE EXTENT OF THE INDEMNITY SET FORTH ABOVE, NEITHER PARTY SHALL BE LIABLE TO THE OTHER FOR ANY INDIRECT, SPECIAL, INCIDENTAL, OR CONSEQUENTIAL DAMAGES.

Please read the User's Guide and, specifically, the Warnings and Restrictions notice in the User's Guide prior to handling the product. This notice contains important safety information about temperatures and voltages. For additional information on TI's environmental and/or safety programs, please visit www.ti.com/esh or contact TI.

No license is granted under any patent right or other intellectual property right of TI covering or relating to any machine, process, or combination in which such TI products or services might be or are used. TI currently deals with a variety of customers for products, and therefore our arrangement with the user is not exclusive. TI assumes no liability for applications assistance, customer product design, software performance, or infringement of patents or services described herein.

REGULATORY COMPLIANCE INFORMATION

As noted in the EVM User's Guide and/or EVM itself, this EVM and/or accompanying hardware may or may not be subject to the Federal Communications Commission (FCC) and Industry Canada (IC) rules.

For EVMs **not** subject to the above rules, this evaluation board/kit/module is intended for use for ENGINEERING DEVELOPMENT, DEMONSTRATION OR EVALUATION PURPOSES ONLY and is not considered by TI to be a finished end product fit for general consumer use. It generates, uses, and can radiate radio frequency energy and has not been tested for compliance with the limits of computing devices pursuant to part 15 of FCC or ICES-003 rules, which are designed to provide reasonable protection against radio frequency interference. Operation of the equipment may cause interference with radio communications, in which case the user at his own expense will be required to take whatever measures may be required to correct this interference.

General Statement for EVMs including a radio

User Power/Frequency Use Obligations: This radio is intended for development/professional use only in legally allocated frequency and power limits. Any use of radio frequencies and/or power availability of this EVM and its development application(s) must comply with local laws governing radio spectrum allocation and power limits for this evaluation module. It is the user's sole responsibility to only operate this radio in legally acceptable frequency space and within legally mandated power limitations. Any exceptions to this are strictly prohibited and unauthorized by Texas Instruments unless user has obtained appropriate experimental/development licenses from local regulatory authorities, which is responsibility of user including its acceptable authorization.

For EVMs annotated as FCC – FEDERAL COMMUNICATIONS COMMISSION Part 15 Compliant

Caution

This device complies with part 15 of the FCC Rules. Operation is subject to the following two conditions: (1) This device may not cause harmful interference, and (2) this device must accept any interference received, including interference that may cause undesired operation.

Changes or modifications not expressly approved by the party responsible for compliance could void the user's authority to operate the equipment.

FCC Interference Statement for Class A EVM devices

This equipment has been tested and found to comply with the limits for a Class A digital device, pursuant to part 15 of the FCC Rules. These limits are designed to provide reasonable protection against harmful interference when the equipment is operated in a commercial environment. This equipment generates, uses, and can radiate radio frequency energy and, if not installed and used in accordance with the instruction manual, may cause harmful interference to radio communications. Operation of this equipment in a residential area is likely to cause harmful interference in which case the user will be required to correct the interference at his own expense.

FCC Interference Statement for Class B EVM devices

This equipment has been tested and found to comply with the limits for a Class B digital device, pursuant to part 15 of the FCC Rules. These limits are designed to provide reasonable protection against harmful interference in a residential installation. This equipment generates, uses and can radiate radio frequency energy and, if not installed and used in accordance with the instructions, may cause harmful interference to radio communications. However, there is no guarantee that interference will not occur in a particular installation. If this equipment does cause harmful interference to radio or television reception, which can be determined by turning the equipment off and on, the user is encouraged to try to correct the interference by one or more of the following measures:

- Reorient or relocate the receiving antenna.
- Increase the separation between the equipment and receiver.
- Connect the equipment into an outlet on a circuit different from that to which the receiver is connected.
- Consult the dealer or an experienced radio/TV technician for help.

For EVMs annotated as IC – INDUSTRY CANADA Compliant

This Class A or B digital apparatus complies with Canadian ICES-003.

Changes or modifications not expressly approved by the party responsible for compliance could void the user's authority to operate the equipment.

Concerning EVMs including radio transmitters

This device complies with Industry Canada licence-exempt RSS standard(s). Operation is subject to the following two conditions: (1) this device may not cause interference, and (2) this device must accept any interference, including interference that may cause undesired operation of the device.

Concerning EVMs including detachable antennas

Under Industry Canada regulations, this radio transmitter may only operate using an antenna of a type and maximum (or lesser) gain approved for the transmitter by Industry Canada. To reduce potential radio interference to other users, the antenna type and its gain should be so chosen that the equivalent isotropically radiated power (e.i.r.p.) is not more than that necessary for successful communication.

This radio transmitter has been approved by Industry Canada to operate with the antenna types listed in the user guide with the maximum permissible gain and required antenna impedance for each antenna type indicated. Antenna types not included in this list, having a gain greater than the maximum gain indicated for that type, are strictly prohibited for use with this device.

Cet appareil numérique de la classe A ou B est conforme à la norme NMB-003 du Canada.

Les changements ou les modifications pas expressément approuvés par la partie responsable de la conformité ont pu vider l'autorité de l'utilisateur pour actionner l'équipement.

Concernant les EVMs avec appareils radio

Le présent appareil est conforme aux CNR d'Industrie Canada applicables aux appareils radio exempts de licence. L'exploitation est autorisée aux deux conditions suivantes : (1) l'appareil ne doit pas produire de brouillage, et (2) l'utilisateur de l'appareil doit accepter tout brouillage radioélectrique subi, même si le brouillage est susceptible d'en compromettre le fonctionnement.

Concernant les EVMs avec antennes détachables

Conformément à la réglementation d'Industrie Canada, le présent émetteur radio peut fonctionner avec une antenne d'un type et d'un gain maximal (ou inférieur) approuvé pour l'émetteur par Industrie Canada. Dans le but de réduire les risques de brouillage radioélectrique à l'intention des autres utilisateurs, il faut choisir le type d'antenne et son gain de sorte que la puissance isotrope rayonnée équivalente (p.i.r.e.) ne dépasse pas l'intensité nécessaire à l'établissement d'une communication satisfaisante.

Le présent émetteur radio a été approuvé par Industrie Canada pour fonctionner avec les types d'antenne énumérés dans le manuel d'usage et ayant un gain admissible maximal et l'impédance requise pour chaque type d'antenne. Les types d'antenne non inclus dans cette liste, ou dont le gain est supérieur au gain maximal indiqué, sont strictement interdits pour l'exploitation de l'émetteur.

【Important Notice for Users of EVMs for RF Products in Japan】

This development kit is NOT certified as Confirming to Technical Regulations of Radio Law of Japan

If you use this product in Japan, you are required by Radio Law of Japan to follow the instructions below with respect to this product:

1. Use this product in a shielded room or any other test facility as defined in the notification #173 issued by Ministry of Internal Affairs and Communications on March 28, 2006, based on Sub-section 1.1 of Article 6 of the Ministry's Rule for Enforcement of Radio Law of Japan,
2. Use this product only after you obtained the license of Test Radio Station as provided in Radio Law of Japan with respect to this product, or
3. Use of this product only after you obtained the Technical Regulations Conformity Certification as provided in Radio Law of Japan with respect to this product. Also, please do not transfer this product, unless you give the same notice above to the transferee. Please note that if you could not follow the instructions above, you will be subject to penalties of Radio Law of Japan.

Texas Instruments Japan Limited
(address) 24-1, Nishi-Shinjuku 6 chome, Shinjuku-ku, Tokyo, Japan

<http://www.tij.co.jp>

【無線電波を送信する製品の開発キットをお使いになる際の注意事項】

本開発キットは技術基準適合証明を受けておりません。

本製品のご使用に際しては、電波法遵守のため、以下のいずれかの措置を取っていただく必要がありますのでご注意ください。

1. 電波法施行規則第6条第1項第1号に基づく平成18年3月28日総務省告示第173号で定められた電波暗室等の試験設備でご使用いただく。
2. 実験局の免許を取得後ご使用いただく。
3. 技術基準適合証明を取得後ご使用いただく。

なお、本製品は、上記の「ご使用にあたっての注意」を譲渡先、移転先に通知しない限り、譲渡、移転できないものとします。

上記を遵守頂けない場合は、電波法の罰則が適用される可能性があることをご留意ください。

日本テキサス・インスツルメンツ株式会社
東京都新宿区西新宿6丁目24番1号
西新宿三井ビル

<http://www.tij.co.jp>

EVALUATION BOARD/KIT/MODULE (EVM) WARNINGS, RESTRICTIONS AND DISCLAIMERS

For Feasibility Evaluation Only, in Laboratory/Development Environments. Unless otherwise indicated, this EVM is not a finished electrical equipment and not intended for consumer use. It is intended solely for use for preliminary feasibility evaluation in laboratory/development environments by technically qualified electronics experts who are familiar with the dangers and application risks associated with handling electrical mechanical components, systems and subsystems. It should not be used as all or part of a finished end product.

Your Sole Responsibility and Risk. You acknowledge, represent and agree that:

1. You have unique knowledge concerning Federal, State and local regulatory requirements (including but not limited to Food and Drug Administration regulations, if applicable) which relate to your products and which relate to your use (and/or that of your employees, affiliates, contractors or designees) of the EVM for evaluation, testing and other purposes.
2. You have full and exclusive responsibility to assure the safety and compliance of your products with all such laws and other applicable regulatory requirements, and also to assure the safety of any activities to be conducted by you and/or your employees, affiliates, contractors or designees, using the EVM. Further, you are responsible to assure that any interfaces (electronic and/or mechanical) between the EVM and any human body are designed with suitable isolation and means to safely limit accessible leakage currents to minimize the risk of electrical shock hazard.
3. Since the EVM is not a completed product, it may not meet all applicable regulatory and safety compliance standards (such as UL, CSA, VDE, CE, RoHS and WEEE) which may normally be associated with similar items. You assume full responsibility to determine and/or assure compliance with any such standards and related certifications as may be applicable. You will employ reasonable safeguards to ensure that your use of the EVM will not result in any property damage, injury or death, even if the EVM should fail to perform as described or expected.
4. You will take care of proper disposal and recycling of the EVM's electronic components and packing materials.

Certain Instructions. It is important to operate this EVM within TI's recommended specifications and environmental considerations per the user guidelines. Exceeding the specified EVM ratings (including but not limited to input and output voltage, current, power, and environmental ranges) may cause property damage, personal injury or death. If there are questions concerning these ratings please contact a TI field representative prior to connecting interface electronics including input power and intended loads. Any loads applied outside of the specified output range may result in unintended and/or inaccurate operation and/or possible permanent damage to the EVM and/or interface electronics. Please consult the EVM User's Guide prior to connecting any load to the EVM output. If there is uncertainty as to the load specification, please contact a TI field representative. During normal operation, some circuit components may have case temperatures greater than 60°C as long as the input and output are maintained at a normal ambient operating temperature. These components include but are not limited to linear regulators, switching transistors, pass transistors, and current sense resistors which can be identified using the EVM schematic located in the EVM User's Guide. When placing measurement probes near these devices during normal operation, please be aware that these devices may be very warm to the touch. As with all electronic evaluation tools, only qualified personnel knowledgeable in electronic measurement and diagnostics normally found in development environments should use these EVMs.

Agreement to Defend, Indemnify and Hold Harmless. You agree to defend, indemnify and hold TI, its licensors and their representatives harmless from and against any and all claims, damages, losses, expenses, costs and liabilities (collectively, "Claims") arising out of or in connection with any use of the EVM that is not in accordance with the terms of the agreement. This obligation shall apply whether Claims arise under law of tort or contract or any other legal theory, and even if the EVM fails to perform as described or expected.

Safety-Critical or Life-Critical Applications. If you intend to evaluate the components for possible use in safety critical applications (such as life support) where a failure of the TI product would reasonably be expected to cause severe personal injury or death, such as devices which are classified as FDA Class III or similar classification, then you must specifically notify TI of such intent and enter into a separate Assurance and Indemnity Agreement.

IMPORTANT NOTICE

Texas Instruments Incorporated and its subsidiaries (TI) reserve the right to make corrections, enhancements, improvements and other changes to its semiconductor products and services per JESD46, latest issue, and to discontinue any product or service per JESD48, latest issue. Buyers should obtain the latest relevant information before placing orders and should verify that such information is current and complete. All semiconductor products (also referred to herein as "components") are sold subject to TI's terms and conditions of sale supplied at the time of order acknowledgment.

TI warrants performance of its components to the specifications applicable at the time of sale, in accordance with the warranty in TI's terms and conditions of sale of semiconductor products. Testing and other quality control techniques are used to the extent TI deems necessary to support this warranty. Except where mandated by applicable law, testing of all parameters of each component is not necessarily performed.

TI assumes no liability for applications assistance or the design of Buyers' products. Buyers are responsible for their products and applications using TI components. To minimize the risks associated with Buyers' products and applications, Buyers should provide adequate design and operating safeguards.

TI does not warrant or represent that any license, either express or implied, is granted under any patent right, copyright, mask work right, or other intellectual property right relating to any combination, machine, or process in which TI components or services are used. Information published by TI regarding third-party products or services does not constitute a license to use such products or services or a warranty or endorsement thereof. Use of such information may require a license from a third party under the patents or other intellectual property of the third party, or a license from TI under the patents or other intellectual property of TI.

Reproduction of significant portions of TI information in TI data books or data sheets is permissible only if reproduction is without alteration and is accompanied by all associated warranties, conditions, limitations, and notices. TI is not responsible or liable for such altered documentation. Information of third parties may be subject to additional restrictions.

Resale of TI components or services with statements different from or beyond the parameters stated by TI for that component or service voids all express and any implied warranties for the associated TI component or service and is an unfair and deceptive business practice. TI is not responsible or liable for any such statements.

Buyer acknowledges and agrees that it is solely responsible for compliance with all legal, regulatory and safety-related requirements concerning its products, and any use of TI components in its applications, notwithstanding any applications-related information or support that may be provided by TI. Buyer represents and agrees that it has all the necessary expertise to create and implement safeguards which anticipate dangerous consequences of failures, monitor failures and their consequences, lessen the likelihood of failures that might cause harm and take appropriate remedial actions. Buyer will fully indemnify TI and its representatives against any damages arising out of the use of any TI components in safety-critical applications.

In some cases, TI components may be promoted specifically to facilitate safety-related applications. With such components, TI's goal is to help enable customers to design and create their own end-product solutions that meet applicable functional safety standards and requirements. Nonetheless, such components are subject to these terms.

No TI components are authorized for use in FDA Class III (or similar life-critical medical equipment) unless authorized officers of the parties have executed a special agreement specifically governing such use.

Only those TI components which TI has specifically designated as military grade or "enhanced plastic" are designed and intended for use in military/aerospace applications or environments. Buyer acknowledges and agrees that any military or aerospace use of TI components which have **not** been so designated is solely at the Buyer's risk, and that Buyer is solely responsible for compliance with all legal and regulatory requirements in connection with such use.

TI has specifically designated certain components as meeting ISO/TS16949 requirements, mainly for automotive use. In any case of use of non-designated products, TI will not be responsible for any failure to meet ISO/TS16949.

Products

Audio	www.ti.com/audio
Amplifiers	amplifier.ti.com
Data Converters	dataconverter.ti.com
DLP® Products	www.dlp.com
DSP	dsp.ti.com
Clocks and Timers	www.ti.com/clocks
Interface	interface.ti.com
Logic	logic.ti.com
Power Mgmt	power.ti.com
Microcontrollers	microcontroller.ti.com
RFID	www.ti-rfid.com
OMAP Applications Processors	www.ti.com/omap
Wireless Connectivity	www.ti.com/wirelessconnectivity

Applications

Automotive and Transportation	www.ti.com/automotive
Communications and Telecom	www.ti.com/communications
Computers and Peripherals	www.ti.com/computers
Consumer Electronics	www.ti.com/consumer-apps
Energy and Lighting	www.ti.com/energy
Industrial	www.ti.com/industrial
Medical	www.ti.com/medical
Security	www.ti.com/security
Space, Avionics and Defense	www.ti.com/space-avionics-defense
Video and Imaging	www.ti.com/video

TI E2E Community

e2e.ti.com