

# TAS3208EVM-LC

**Low-Cost (LC) Evaluation Module (EVM)  
for TAS3208 Digital Audio Processor**

## User's Guide



Literature Number: SLEU097  
April 2008



---



---

<b>Preface</b> .....	<b>5</b>
<b>1 Overview</b> .....	<b>7</b>
1.1 TAS3208EVM-LC Features .....	8
1.2 TAS3208EVM-LC Block Diagram .....	9
1.3 TAS3208EVM-LC PCB Component Mapping .....	10
<b>2 Quick Setup Guide</b> .....	<b>11</b>
2.1 Unpacking the EVM .....	12
2.2 Power Supply Setup .....	12
2.3 PurePath GDE Software Installation .....	12
2.4 Developing the Process Flow on the EVM .....	13
2.4.1 Default Configuration .....	13
2.4.2 Configuring the EVM .....	13
2.4.3 Master/Slave Mode Operation .....	14
2.4.4 Loading the Process Flow .....	14
2.4.5 Running the Process Flow .....	15
<b>3 System Interfaces</b> .....	<b>17</b>
3.1 Digital Audio Interface .....	18
3.1.1 Digital Input Header .....	18
3.1.2 Digital Output Header .....	18
3.2 Analog Audio Interface .....	19
3.2.1 Analog Output Header .....	19
3.2.2 Analog Input Header .....	19
3.3 Control Interface .....	20
<b>Important Notices</b> .....	<b>21</b>

## List of Figures

1-1	Block Diagram.....	9
1-2	Component Mapping.....	10
1-3	Printed Circuit Assembly .....	10
2-1	PurePath Studio I <sup>2</sup> C Command File Window.....	14

## List of Tables

1	Related TI Documentation.....	5
3-1	Digital Audio Input Interface (J1) .....	18
3-2	Digital Audio Output Interface (J3) .....	18
3-3	Analog Output Interface (J5).....	19
3-4	Analog Input Interface (J4).....	19
3-5	Control Interface (J6) .....	20

## **Read This First**

### **About This Manual**

This manual describes the operation of the TAS3208 low-cost (LC) evaluation module (EVM) from Texas Instruments.

### **How to Use This Manual**

This document contains the following chapters:

- Chapter 1 – Overview
- Chapter 2 – Quick Setup Guide
- Chapter 3 – System Interfaces

### **Information About Cautions and Warnings**

This manual may contain cautions and warnings.

#### **CAUTION**

This is an example of a caution statement.

A caution statement describes a situation that could potentially damage your software or equipment.

#### **WARNING**

This is an example of a warning statement.

A warning statement describes a situation that could potentially cause harm to you.

The information in a caution or a warning is provided for your protection. Please read each caution and warning carefully.

### **Related Documentation From Texas Instruments**

[Table 1](#) contains a list of data manuals that have detailed descriptions of the integrated circuits used in the design of the TAS3208EVM-LC. The data manuals can be obtained at [www.ti.com](http://www.ti.com).

**Table 1. Related TI Documentation**

DEVICE	LITERATURE NUMBER
TAS3208	SLES201B
TUSB3210	SLLS466
TPA6610A2	SLOS314
TPS3808	SBVS050
SN74LVC1G08	SCES217
TPS79533	SLVS350

**Additional Documentation**

- PurePath Studio™ Graphical Development Environment (GDE) tool for TAS3208
- General application notes
- TAS3108 Audio DSP Instruction Set Reference Guide (SLEU067)

**Important Software Updates**

The TAS3208 is shipped with the latest version of PurePath Studio GDE at the time of the initial EVM release.

Before starting any new design, verify that you are using the latest version of PurePath Studio GDE available by requesting access to the Texas Instruments Mixed Signal Audio & Video extranet via <http://www-k.ext.ti.com/sc/technical-support/email-tech-support.asp?DSP>. Once access is granted, any new build of the software can simply be downloaded via an internet connection.

**Trademarks**

PurePath Studio, PurePath Digital are trademarks of Texas Instruments.

All other trademarks are the property of their respective owners.

## Overview

---

---

---

The PurePath Digital™ TAS3208EVM-LC demonstrates the TAS3208 Digital Audio Processor from Texas Instruments (TI).

The TAS3208 is a fully programmable high-performance system on chip (SoC) digital audio processor. It uses an efficient, custom, multi-instruction programming environment optimized for digital audio processing algorithms. The TAS3208 architecture provides high-quality audio processing by using a 48-bit data path, 28-bit filter coefficients, and a single-cycle 28 x 48-bit multiplier with a 76-bit accumulator. An custom embedded 8051 microprocessor provides algorithm and data control. The TAS3208 is the commercial version intended for home audio and other commercial applications.

The TAS3208 is well-suited for inclusion in digital televisions, home theater systems, mini-component audio systems, and pro-audio systems.

Topic	Page
1.1 TAS3208EVM-LC Features .....	8
1.2 TAS3208EVM-LC Block Diagram.....	9
1.3 TAS3208EVM-LC PCB Component Mapping .....	10

## 1.1 TAS3208EVM-LC Features

- Three serial digital stereo inputs (S/PDIF, I<sup>2</sup>S, left- or right-justified)
- Two serial digital stereo outputs (S/PDIF, I<sup>2</sup>S, left- or right-justified)
- Three analog stereo inputs multiplexed to one analog-to-digital converter
- One analog stereo digital-to-analog output
- One analog stereo line output
- One 24-mW, 3.5-mm headphone output jack
- One 3.5-mm stereo line input jack
- USB interface for I<sup>2</sup>C control via PurePath Studio GDE
- Double-sided plated-through PCB layout
- Three LED status indicators for reset, I<sup>2</sup>C, and USB link

The primary usage mode of the EVM is to provide a software development platform that receives the control and signal processing flow descriptions from a host PC running the PurePath™ Studio Graphical Environment (GDE) or Integrated Development Environment (IDE) through a Universal Serial Bus (USB) interface. In this mode of operation, the user develops a signal processing flow and custom components using PurePath™ Studio. The resulting process flows can be loaded into the EVM EEPROM via the USB. The TAS3208 then loads the EEPROM contents and executes the signal processing flows. During execution, many of the TAS3208 signal processing flow parameters can be dynamically changed using the PurePath™ Studio Graphical Development Environment, allowing the user to customize the process flow without resetting the device.

The TAS3208EVM-LC contains hardware logic, which can be utilized to reset the TAS3208 Digital Audio Processor without disconnecting and re-enumerating the USB Controller. A red LED indicates the period in which the reset is active. Additional on-board LEDs indicate that the board is powered, Active I<sup>2</sup>C transactions from either a host controller or the EEPROM, and that the USB link to the host PC is established.

Further information on using the EVM with the PurePath Studio GDE is included in subsequent sections of this document and through additional PurePath Studio documentation.



## 1.2 TAS3208EVM-LC Block Diagram

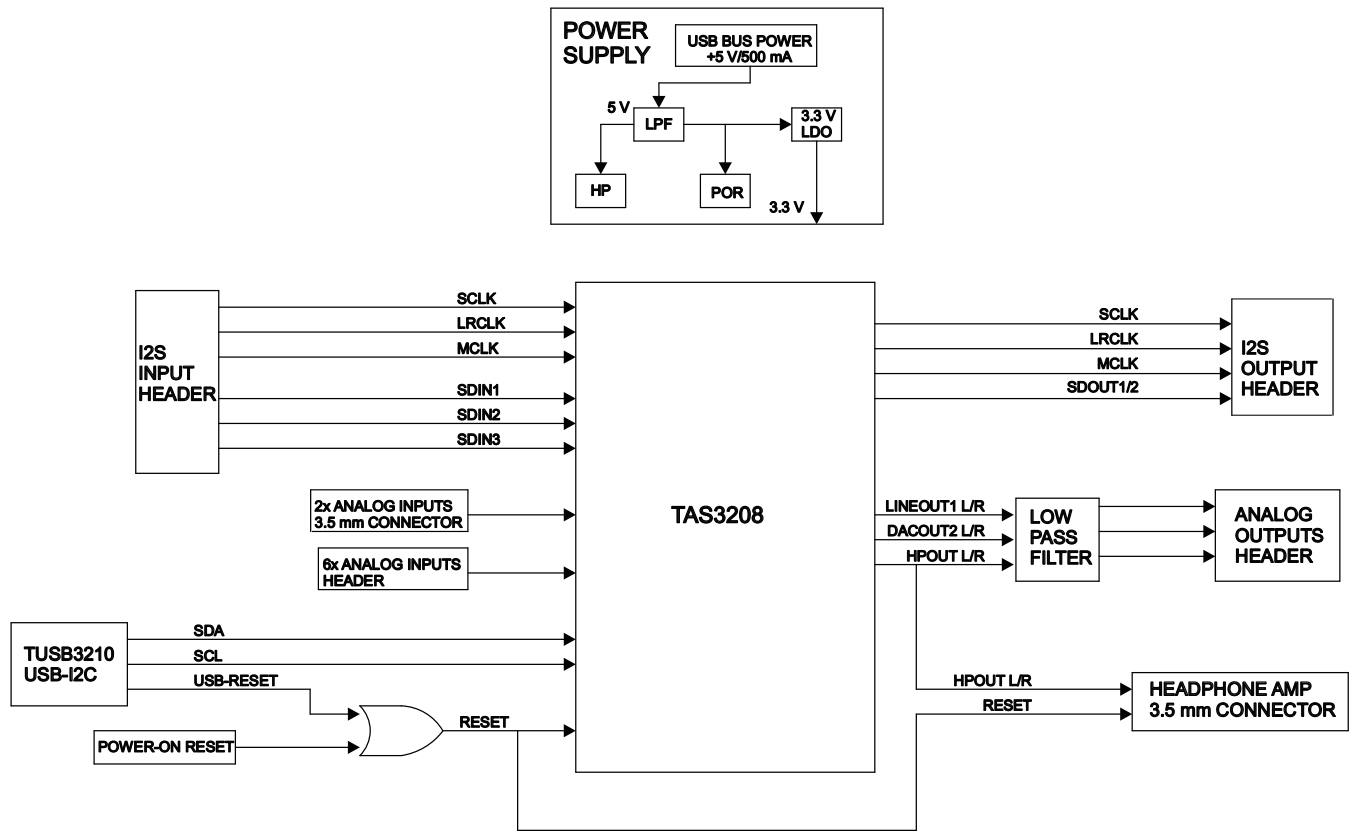


Figure 1-1. Block Diagram

### 1.3 TAS3208EVM-LC PCB Component Mapping

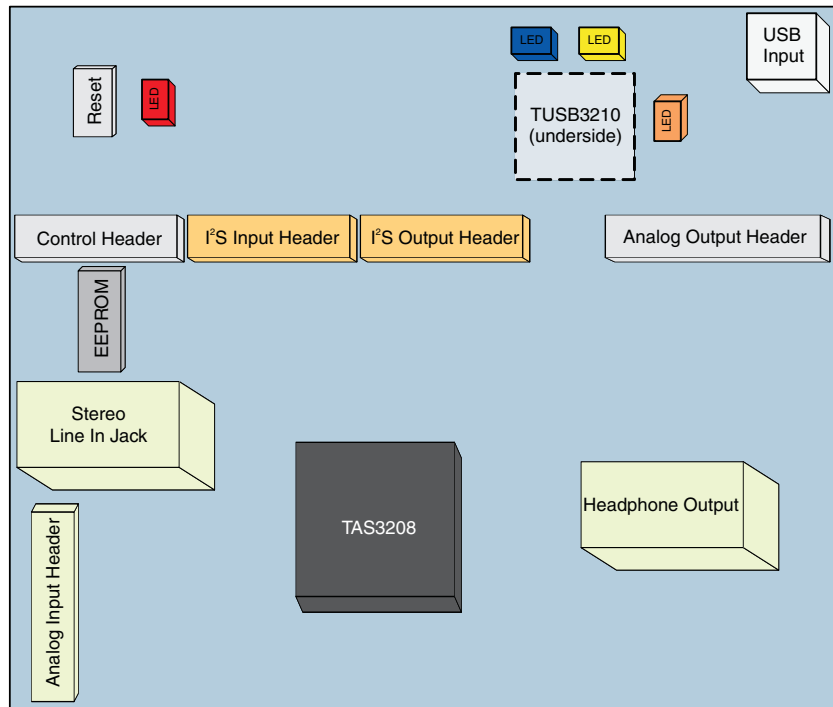


Figure 1-2. Component Mapping

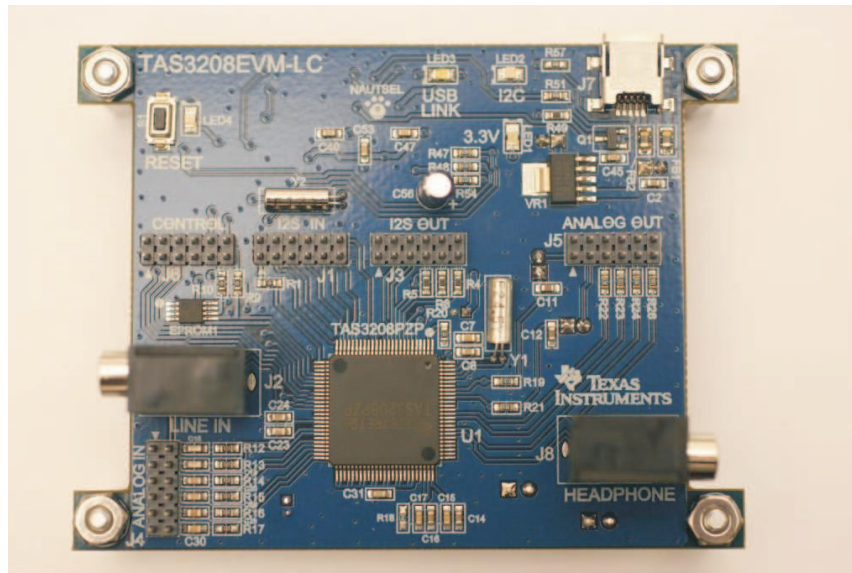


Figure 1-3. Printed Circuit Assembly

## **Quick Setup Guide**

---

---

---

This chapter provides a step-by-step guide to configuring the TAS3208EVM-LC for device evaluation.

This chapter describes the TAS3208EVM-LC board in regard to power supply requirements and system interfaces. The chapter provides information regarding handling, unpacking, and absolute operating conditions.

<b>Topic</b>	<b>Page</b>
<b>2.1 Unpacking the EVM .....</b>	<b>12</b>
<b>2.2 Power Supply Setup .....</b>	<b>12</b>
<b>2.3 PurePath GDE Software Installation .....</b>	<b>12</b>
<b>2.4 Developing the Process Flow on the EVM .....</b>	<b>13</b>

## Electrostatic Discharge Warning

Many of the components on the TAS3208EVM-LC are susceptible to damage by electrostatic discharge (ESD). Customers are advised to observe proper ESD handling precautions when unpacking and handling the EVM, including the use of a grounded wrist strap at an approved ESD workstation.

### CAUTION

Failure to observe ESD handling procedures may result in damage to EVM components.

## 2.1 Unpacking the EVM

Upon opening the TAS3208EVM-LC package, please check to make sure that the following items are included:

- One TAS3208EVM-LC board using one TAS3208PZP
- One CD-ROM containing GDE software, application reports, user guides, schematics, board Gerber files, and PC software tools
- One USB-type A-to-mini cable.

---

**Note:** If any of these items are missing, please contact the Texas Instruments Product Information Center nearest you to inquire about a replacement.

---

## 2.2 Power Supply Setup

The TAS3208EVM-LC is powered via the universal serial bus (USB) connection from the host PC. No additional power supplies are needed to evaluate the device.

## 2.3 PurePath GDE Software Installation

The TAS3208 is programmed and configured using Texas Instruments PurePath Studio. PurePath Studio is composed of the graphical development environment (GDE), the integrated development environment (IDE), and the component publisher.

- The GDE permits the user to program TAS3208 using predefined signal processing components that are placed and connected graphically in the GDE pallet. PurePath Studio runs on a Windows XP computer.
- The IDE is software development environment that permits the user to construct and test the code for a new GDE component.
- The component publisher is used to create the component, define the component's control interface and the ways in which the component can be used.

The PurePath Studio software is supplied on the TAS3208EVM-LC Software CD-ROM. The latest version of the PurePath Studio is available on the Texas Instruments extranet for registered users.

There are two types of licenses:

- Evaluation license – The evaluation license is available for users who are interested only in evaluating the PurePath Studio Tool suite
- Production license – The production license is available for users who are interested in product development using the PurePath Studio tools. This is the software license that is needed to support the EVM.

Once registered, access to the extranet is available by using a browser to access my.ti.com and selecting extranets. The PurePath Studio software is contained under the link TAS3208 PurePath Studio.

- To load PurePath Studio software suite
  - From CD-ROM
    - Insert the TAS3208 Software CD-ROM
    - Open the TAS3208GDE directory and run setup\_PurePath\_Studio\_vx.xx.exe
    - Follow the instructions to complete the installation.  
The CD-ROM also contains initialization files for master and slave EVM initialization and a simple process flow that can be used to verify the TAS3208EVM-LC operation. After the PurePath Studio installation is complete, copy the contents of the CD-ROM TAS3208\_Config directory to C:\Program Files\Texas Instruments Inc\PurePath Studio\MyProcessFlows.
  - From download
    - Save the installation file to temporary directory
    - Go to the temporary directory and run setup\_PurePath\_Studio\_vx.xx.exe
    - Follow the instructions to complete the installation.

## 2.4 Developing the Process Flow on the EVM

### 2.4.1 Default Configuration

The TAS3208 is placed into the default configuration upon receiving a reset. The reset signal comes from one of the two following methods.

- Pressing the reset button
- Sending a reset signal through the USB interface via the GDE

---

**Note:** Following the receipt of the reset, the TAS3208 loads the contents of the EEPROM and configures the SAP clock for master mode operation.

---

### 2.4.2 Configuring the EVM

After completing the software installation, connect the USB cable to J7 on the TAS3208EVM-LC board. This connection powers the EVM and automatically enumerates the TUSB3210 USB Serial Controller required for communication between the host PC and the TAS3208 Digital Audio Processor.

Start PurePath Studio using the Start Menu. The program takes a few seconds to load on the host PC. The TAS3208 requires a configuration file to be loaded after a device reset. This file configures the TAS3208 for operation.

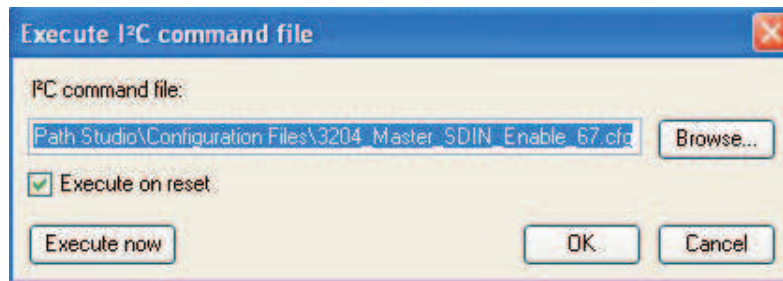
---

**Note:** Always verify that a configuration file is specified in the Execute I<sup>2</sup>C command file window before attempting to execute a process flow. An unspecified I<sup>2</sup>C configuration file upon execution may result in unspecified device behavior.

---

The configuration tool is available under the Tools menu in the GDE.

Tools >> I<sup>2</sup>C Command Tool



**Figure 2-1. PurePath Studio I<sup>2</sup>C Command File Window**

### 2.4.3 Master/Slave Mode Operation

The TAS3208 can be configured for both master and slave modes via the SAP/Clock register. By default, the TAS3208 is configured for master mode. The TAS3208 can be changed to operate in slave mode by loading the correct SAP/Clock registers settings via the configuration file.

Example master and slave configuration scripts can be found on the CD-ROM included with the TAS3208LC Evaluation Module.

---

**Note:** Make sure to verify check the 'Execute on reset' box before closing the Configuration Tool.

---

#### 2.4.3.1 TAS3208EVM-LC Operation in Master Mode

In master mode, the MCLK, SCLK, and LRCLK for the system are internally generated by the external crystal. Serial Digital Audio is input in to the TAS3208EVM-LC via the Serial Digital Input header (J1). Analog signals are input via the analog input header (J4), or the line in jack (J2).

#### 2.4.3.2 TAS3208EVM-LC Operation in Slave Mode

In slave mode, MCLK, SCLK, and LRCLK for the system must be externally provided by the user's system controller on the serial digital input header (J1). The DSP, MCU and I<sup>2</sup>C clocks are still internally derived from the external crystal. Serial Digital Audio is input in to the TAS3208EVM-LC via the Serial Digital Input header (J1). Analog signals are input via the analog input header (J4), or the line in jack (J2).

---

**Note:** Audio performance in slave mode depends on the quality of the I<sup>2</sup>S clocks. The clocks should be buffered before the TAS3208. The lowest sampling frequency for acceptable audio performance in slave mode is 44.1 kHz.

---

### 2.4.4 Loading the Process Flow

The process flow can be built using the TAS3208 application framework, TAS3208 I/O components, and audio processing components.

---

**Note:** The TAS3208 application framework must be loaded into the pallet before any other components can be added.

---

The CD-ROM included with the TAS3208EVM-LC comes with a sample process flow that allows the device to stream analog audio from input to output. This process flow can be loaded from the file menu.

File >> Open

Browse to the TAS3208.pfw using Windows Explorer and open the process flow. The TAS3208.pfw is designed to stream an analog signal from input to output.

### 2.4.5 Running the Process Flow

To run the process flow, use the build menu and select run.

Build >> Run

The GDE generates and assembles the code for the process flow, downloads it to the EVM, then resets the TAS3208EVM-LC board. At this point the GDE switches from Edit Mode to Run Mode, and streams audio from input to output.

For more advanced use of the GDE please refer to the GDE online help, Release Notes, and the TAS3108/TAS3108A Audio DSP Instruction Set Reference, literature number [SLEU067](#). These materials are available via [www.ti.com](http://www.ti.com).





## System Interfaces

---

---

---

This chapter describes the TAS3208EVM-LC board in regard to system interfaces.

Topic	Page
3.1 Digital Audio Interface .....	18
3.2 Analog Audio Interface .....	19
3.3 Control Interface .....	20

### 3.1 Digital Audio Interface

The digital audio interface contains the digital I<sup>2</sup>S clocks and data. Please refer to the TAS3208 Data Manual for signal timing an overview of the I<sup>2</sup>S protocol.

#### 3.1.1 Digital Input Header

**Table 3-1. Digital Audio Input Interface (J1)**

SIGNAL NAME	SCHEMATIC NET NAME	HEADER PIN ASSIGNMENT
Master clock input	MCLKIN	1
Digital ground	GND	2
Serial clock input	SCLKIN	3
Digital ground	GND	4
Left/right clock input	LRCLKIN	5
Digital ground	GND	6
Serial data 1 input	SDIN1	7
Digital ground	GND	8
Serial data 2 input	SDIN2	9
Digital ground	GND	10
Serial data 3 input	SDIN3	11
Sony/Philips digital interface format input	SPDIF_IN	12

#### 3.1.2 Digital Output Header

**Table 3-2. Digital Audio Output Interface (J3)**

SIGNAL NAME	SCHEMATIC NET NAME	HEADER PIN ASSIGNMENT
Not connected	NC	1
Not connected	NC	2
Serial data 2 output	SDOUT2	3
Digital ground	GND	4
Serial data 1 output	SDOUT1	5
Digital ground	GND	6
Serial clock output	SCLKOUT	7
Digital ground	GND	8
Left/right clock output	LRCLKOUT	9
Digital ground	GND	10
Master clock output	MCLKOUT	11
Digital ground	GND	12

## 3.2 Analog Audio Interface

### 3.2.1 Analog Output Header

**Table 3-3. Analog Output Interface (J5)**

SIGNAL NAME	SCHEMATIC NET NAME	HEADER PIN ASSIGNMENT
Right headphone amp output	HPR	1
Analog ground	GND	2
Left headphone amp output	HPL	3
Analog ground	GND	4
Digital-to-analog 2 right output	DAC2R	5
Analog ground	GND	6
Digital-to-analog 2 left output	DAC2L	7
Analog ground	GND	8
Lineout 1 right output	LINE1R	9
Analog ground	GND	10
Lineout 1 left output	LINE1L	11
Analog ground	GND	12

### 3.2.2 Analog Input Header

**Table 3-4. Analog Input Interface (J4)**

SIGNAL NAME	SCHEMATIC NET NAME	HEADER PIN ASSIGNMENT
Analog ground	GND	1
Line 1 left input	LINEIN1L	2
Analog ground	GND	3
Line 1 right input	LINEIN1R	4
Analog ground	GND	5
Line 2 left input	LINEIN2L	6
Analog ground	GND	7
Line 2 right input	LINEIN2R	8
Analog ground	GND	9
Line 3 left input	LINEIN3L	10
Analog ground	GND	11
Line 3 right input	LINEIN3R	12

### 3.3 Control Interface

This interface connects the TAS3208 to an external controller. This is a general purpose interface.

**Table 3-5. Control Interface (J6)**

<b>SIGNAL NAME</b>	<b>SCHEMATIC NET NAME</b>	<b>HEADER PIN ASSIGNMENT</b>
Ground	GND	1
Not connected	NC	2
Mute	GND	3
General purpose input/output 2	GPIO2	4
General purpose input/output 1	GPIO1	5
General purpose input/output 3	GPIO3	6
General purpose input/output 4	GPIO4	7
Ground	GND	8
Ground	GND	9
Serial clock 1	SCL1	10
Ground	GND	11
Serial data 1	SDA1	12

## EVALUATION BOARD/KIT IMPORTANT NOTICE

Texas Instruments (TI) provides the enclosed product(s) under the following conditions:

This evaluation board/kit is intended for use for **ENGINEERING DEVELOPMENT, DEMONSTRATION, OR EVALUATION PURPOSES ONLY** and is not considered by TI to be a finished end-product fit for general consumer use. Persons handling the product(s) must have electronics training and observe good engineering practice standards. As such, the goods being provided are not intended to be complete in terms of required design-, marketing-, and/or manufacturing-related protective considerations, including product safety and environmental measures typically found in end products that incorporate such semiconductor components or circuit boards. This evaluation board/kit does not fall within the scope of the European Union directives regarding electromagnetic compatibility, restricted substances (RoHS), recycling (WEEE), FCC, CE or UL, and therefore may not meet the technical requirements of these directives or other related directives.

Should this evaluation board/kit not meet the specifications indicated in the User's Guide, the board/kit may be returned within 30 days from the date of delivery for a full refund. **THE FOREGOING WARRANTY IS THE EXCLUSIVE WARRANTY MADE BY SELLER TO BUYER AND IS IN LIEU OF ALL OTHER WARRANTIES, EXPRESSED, IMPLIED, OR STATUTORY, INCLUDING ANY WARRANTY OF MERCHANTABILITY OR FITNESS FOR ANY PARTICULAR PURPOSE.**

The user assumes all responsibility and liability for proper and safe handling of the goods. Further, the user indemnifies TI from all claims arising from the handling or use of the goods. Due to the open construction of the product, it is the user's responsibility to take any and all appropriate precautions with regard to electrostatic discharge.

**EXCEPT TO THE EXTENT OF THE INDEMNITY SET FORTH ABOVE, NEITHER PARTY SHALL BE LIABLE TO THE OTHER FOR ANY INDIRECT, SPECIAL, INCIDENTAL, OR CONSEQUENTIAL DAMAGES.**

TI currently deals with a variety of customers for products, and therefore our arrangement with the user **is not exclusive.**

TI assumes **no liability for applications assistance, customer product design, software performance, or infringement of patents or services described herein.**

Please read the User's Guide and, specifically, the Warnings and Restrictions notice in the User's Guide prior to handling the product. This notice contains important safety information about temperatures and voltages. For additional information on TI's environmental and/or safety programs, please contact the TI application engineer or visit [www.ti.com/esh](http://www.ti.com/esh).

No license is granted under any patent right or other intellectual property right of TI covering or relating to any machine, process, or combination in which such TI products or services might be or are used.

### FCC Warning

This evaluation board/kit is intended for use for **ENGINEERING DEVELOPMENT, DEMONSTRATION, OR EVALUATION PURPOSES ONLY** and is not considered by TI to be a finished end-product fit for general consumer use. It generates, uses, and can radiate radio frequency energy and has not been tested for compliance with the limits of computing devices pursuant to part 15 of FCC rules, which are designed to provide reasonable protection against radio frequency interference. Operation of this equipment in other environments may cause interference with radio communications, in which case the user at his own expense will be required to take whatever measures may be required to correct this interference.

Mailing Address: Texas Instruments, Post Office Box 655303, Dallas, Texas 75265  
Copyright 2008, Texas Instruments Incorporated

## **EVM WARNINGS AND RESTRICTIONS**

It is important to operate this EVM within the input voltage range of 0 V to 3.3 V and the output voltage range of 0 V to 3.3 V.

Exceeding the specified input range may cause unexpected operation and/or irreversible damage to the EVM. If there are questions concerning the input range, please contact a TI field representative prior to connecting the input power.

Applying loads outside of the specified output range may result in unintended operation and/or possible permanent damage to the EVM. Please consult the EVM User's Guide prior to connecting any load to the EVM output. If there is uncertainty as to the load specification, please contact a TI field representative.

During normal operation, some circuit components may have case temperatures greater than 75°C. The EVM is designed to operate properly with certain components above 75°C as long as the input and output ranges are maintained. These components include but are not limited to linear regulators, switching transistors, pass transistors, and current sense resistors. These types of devices can be identified using the EVM schematic located in the EVM User's Guide. When placing measurement probes near these devices during operation, please be aware that these devices may be very warm to the touch.

Mailing Address: Texas Instruments, Post Office Box 655303, Dallas, Texas 75265  
Copyright 2008, Texas Instruments Incorporated

## IMPORTANT NOTICE

Texas Instruments Incorporated and its subsidiaries (TI) reserve the right to make corrections, modifications, enhancements, improvements, and other changes to its products and services at any time and to discontinue any product or service without notice. Customers should obtain the latest relevant information before placing orders and should verify that such information is current and complete. All products are sold subject to TI's terms and conditions of sale supplied at the time of order acknowledgment.

TI warrants performance of its hardware products to the specifications applicable at the time of sale in accordance with TI's standard warranty. Testing and other quality control techniques are used to the extent TI deems necessary to support this warranty. Except where mandated by government requirements, testing of all parameters of each product is not necessarily performed.

TI assumes no liability for applications assistance or customer product design. Customers are responsible for their products and applications using TI components. To minimize the risks associated with customer products and applications, customers should provide adequate design and operating safeguards.

TI does not warrant or represent that any license, either express or implied, is granted under any TI patent right, copyright, mask work right, or other TI intellectual property right relating to any combination, machine, or process in which TI products or services are used. Information published by TI regarding third-party products or services does not constitute a license from TI to use such products or services or a warranty or endorsement thereof. Use of such information may require a license from a third party under the patents or other intellectual property of the third party, or a license from TI under the patents or other intellectual property of TI.

Reproduction of TI information in TI data books or data sheets is permissible only if reproduction is without alteration and is accompanied by all associated warranties, conditions, limitations, and notices. Reproduction of this information with alteration is an unfair and deceptive business practice. TI is not responsible or liable for such altered documentation. Information of third parties may be subject to additional restrictions.

Resale of TI products or services with statements different from or beyond the parameters stated by TI for that product or service voids all express and any implied warranties for the associated TI product or service and is an unfair and deceptive business practice. TI is not responsible or liable for any such statements.

TI products are not authorized for use in safety-critical applications (such as life support) where a failure of the TI product would reasonably be expected to cause severe personal injury or death, unless officers of the parties have executed an agreement specifically governing such use. Buyers represent that they have all necessary expertise in the safety and regulatory ramifications of their applications, and acknowledge and agree that they are solely responsible for all legal, regulatory and safety-related requirements concerning their products and any use of TI products in such safety-critical applications, notwithstanding any applications-related information or support that may be provided by TI. Further, Buyers must fully indemnify TI and its representatives against any damages arising out of the use of TI products in such safety-critical applications.

TI products are neither designed nor intended for use in military/aerospace applications or environments unless the TI products are specifically designated by TI as military-grade or "enhanced plastic." Only products designated by TI as military-grade meet military specifications. Buyers acknowledge and agree that any such use of TI products which TI has not designated as military-grade is solely at the Buyer's risk, and that they are solely responsible for compliance with all legal and regulatory requirements in connection with such use.

TI products are neither designed nor intended for use in automotive applications or environments unless the specific TI products are designated by TI as compliant with ISO/TS 16949 requirements. Buyers acknowledge and agree that, if they use any non-designated products in automotive applications, TI will not be responsible for any failure to meet such requirements.

Following are URLs where you can obtain information on other Texas Instruments products and application solutions:

### Products

Amplifiers	<a href="http://amplifier.ti.com">amplifier.ti.com</a>
Data Converters	<a href="http://dataconverter.ti.com">dataconverter.ti.com</a>
DSP	<a href="http://dsp.ti.com">dsp.ti.com</a>
Clocks and Timers	<a href="http://www.ti.com/clocks">www.ti.com/clocks</a>
Interface	<a href="http://interface.ti.com">interface.ti.com</a>
Logic	<a href="http://logic.ti.com">logic.ti.com</a>
Power Mgmt	<a href="http://power.ti.com">power.ti.com</a>
Microcontrollers	<a href="http://microcontroller.ti.com">microcontroller.ti.com</a>
RFID	<a href="http://www.ti-rfid.com">www.ti-rfid.com</a>
RF/IF and ZigBee® Solutions	<a href="http://www.ti.com/lprf">www.ti.com/lprf</a>

### Applications

Audio	<a href="http://www.ti.com/audio">www.ti.com/audio</a>
Automotive	<a href="http://www.ti.com/automotive">www.ti.com/automotive</a>
Broadband	<a href="http://www.ti.com/broadband">www.ti.com/broadband</a>
Digital Control	<a href="http://www.ti.com/digitalcontrol">www.ti.com/digitalcontrol</a>
Medical	<a href="http://www.ti.com/medical">www.ti.com/medical</a>
Military	<a href="http://www.ti.com/military">www.ti.com/military</a>
Optical Networking	<a href="http://www.ti.com/opticalnetwork">www.ti.com/opticalnetwork</a>
Security	<a href="http://www.ti.com/security">www.ti.com/security</a>
Telephony	<a href="http://www.ti.com/telephony">www.ti.com/telephony</a>
Video & Imaging	<a href="http://www.ti.com/video">www.ti.com/video</a>
Wireless	<a href="http://www.ti.com/wireless">www.ti.com/wireless</a>

Mailing Address: Texas Instruments, Post Office Box 655303, Dallas, Texas 75265  
Copyright © 2008, Texas Instruments Incorporated