

# PGA970EVM User's Guide

## User's Guide



Literature Number: SLDU017  
November 2016

<b>1</b>	<b>Introduction</b> .....	<b>4</b>
<b>2</b>	<b>Default Configuration</b> .....	<b>5</b>
<b>3</b>	<b>Inputs and Output Configurations</b> .....	<b>5</b>
	3.1 LVDT Primary and Secondary Drive.....	5
	3.2 Temperature Input .....	6
	3.3 Voltage Mode Output .....	6
<b>4</b>	<b>OWI</b> .....	<b>7</b>
	4.1 Activation Pulse .....	8
	4.2 Data Sent Through OWI.....	8
<b>5</b>	<b>XDS200 and USB2ANY Connectors</b> .....	<b>9</b>
<b>6</b>	<b>Schematics</b> .....	<b>12</b>

## List of Figures

1	PGA970EVM .....	4
2	LVDI Primary and Secondary Drive in the PGA970EVM .....	5
3	PGA970 in Voltage Mode Configuration .....	6
4	OWI Block Diagram .....	7
5	OWI Activation Pulse Generated by the PGA970EVM in Voltage Mode .....	8
6	OWI Data at 320 bps; Oscilloscope Probe is Connected at TP21 in the PGA970EVM .....	8
7	XDS200 Emulator Connection to the PGA970EVM .....	9
8	USB2ANY Connection to the PGA970EVM .....	10
9	USB2ANY .....	10
10	USB2ANY Pinout .....	11
11	PGA970EVM Main Schematic .....	12
12	Input and Output Schematic .....	13
13	USB2ANY Schematic .....	14
14	OWI Activation Pulse and Data Schematic .....	15
15	OWI Power Amplifier Schematic .....	16
16	Power Supplies Schematic .....	17

## PGA970EVM User's Guide

The PGA970EVM provides a platform to test the PGA970 in the QFN package.

### 1 Introduction

Figure 1 shows the PGA970EVM and its main sections.

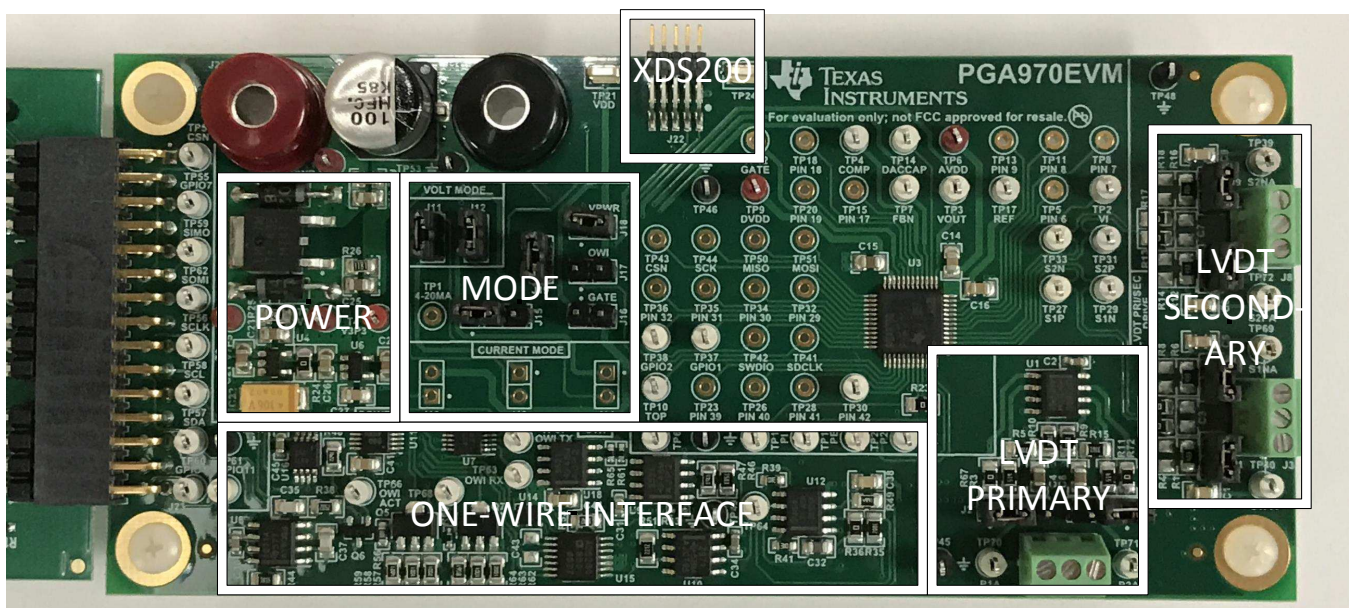


Figure 1. PGA970EVM

The PGA970EVM is divided into six sections:

1. Interface boards and external power:
  - (a) USB2ANY connector
  - (b) XDS200 connector (single wire debugger)
  - (c) Banana connectors to power up EVM
2. Power:
  - (a) 7.5-V, 5-V, and 3.3-V regulators
3. Mode selection
  - (a) Voltage mode
  - (b) 4- to 20-mA loop (3-wire current mode; this section is not placed on the board)
4. OWI circuitry
5. LVDT Primary Driver and Secondary Return

## 2 Default Configuration

The EVM requires a 10- to 30-V input applied to J11 and J12. Clamp the power supply current to 100 mA. The EVM is shipped configured for voltage mode as shown in [Table 1](#).

**Table 1. Default PGA970EVM Jumper Configuration (Voltage Mode)**

	JUMPERS	PURPOSE
VDD	J18 closed. J16 and J17 open	PGA970 powered up from VPWR (VDD=VPWR)
LVDT Primary Drive	J2 and J7 tied between pins 1 and 2	External amplifier for P1 and P2 LVDT drive is bypassed
LVDT Secondary Filtering	J1, J4, J6, J9 closed	External filtering and attenuation for secondary inputs to S1 and S2 bypassed
Output	J11, J12 closed	Voltage mode with 100-nF load, with capacitive load compensation
Gate Drive	J19 closed	GATE pin grounded

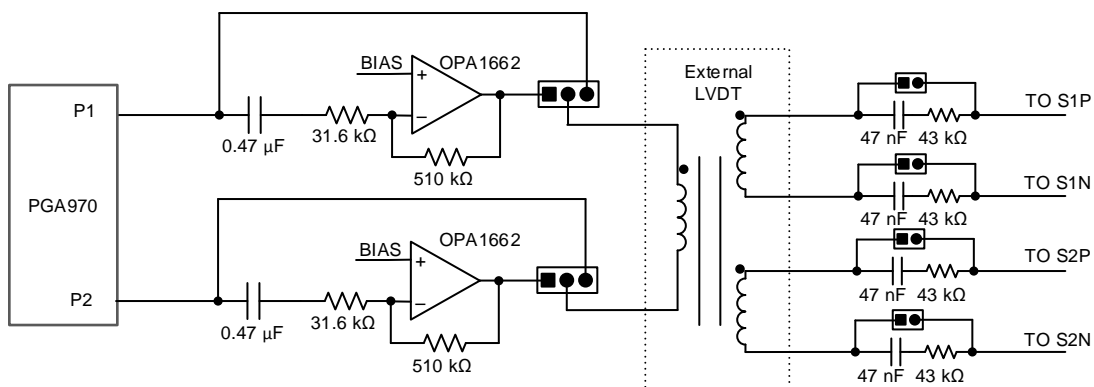
## 3 Inputs and Output Configurations

### 3.1 LVDT Primary and Secondary Drive

The PGA970EVM provides screw terminal connectors J3, J5, and J8 interfacing with the Primary and Secondary of an LVDT. In the default configuration, the Waveform Output Pins of the PGA970, P1 and P2, are tied directly to these terminals. The alternative Jumper configuration allows the user to amplify the waveform for higher voltage LVDT applications. This amplifier provides a gain of 16.1 V/V. In a typical PGA970 Waveform configuration of 0.375 V Amplitude from the Waveform DAC and 1.67 V/V Waveform Gain, this output of this external amplifier will allow the user to have a 20 V peak-to-peak, 7.07 Vrms signal at the terminal connection. If additional current driving capabilities are needed in a resolver or similar, large-load applications, we provided the footprint for an additional drive stage to handle such loads.

The LVDT Secondary side of the PGA970EVM provides footprints to allow for any necessary external filtering or decoupling before being tied to the PGA970 S1 and S2 inputs. In the case that the external amplifier is used on the primary side, the removing jumpers J1, J4, J6, and J9 will provide both decoupling and resistance in the path to attenuate the signal. A resistor divider is created with the internal impedance of these pins, allowing the return signal to be within a measurable amplitude of the ADC.

[Figure 2](#) shows a simple functionality diagram of the Primary and Secondary Drive capabilities on the PGA970EVM.



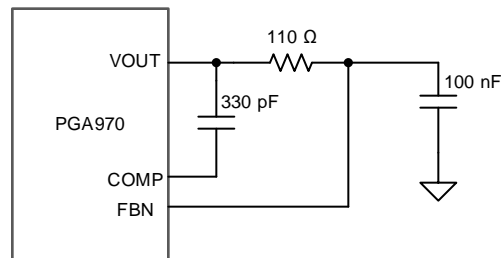
**Figure 2. LVDT Primary and Secondary Drive in the PGA970EVM**

### 3.2 Temperature Input

The PGA970EVM does not have on-board stimulus for the temperature inputs of the PGA970. However, the AIN pin, connected to TP2, can be used to provide an external single-ended connection to a temperature sensor.

### 3.3 Voltage Mode Output

The PGA970EVM is by default configured in voltage mode with a 100-nF load. A compensation capacitor and an isolation resistor are needed for stability. [Figure 3](#) shows the PGA970 schematic for voltage mode and [Table 1](#) shows all the jumpers needed to configure the board in this mode. If the capacitive load is different from 100 nF, then the isolation resistor and compensation capacitor values need to be changed. Refer to application note *PGA900 as a Capacitive Load Driver*, [SLDA020](#), for more information.



**Figure 3. PGA970 in Voltage Mode Configuration**

---

**NOTE:** Footprints have been provided to put the device into a 3-wire Current Mode Output. Due to the high typical current draw of the PGA970, a two-wire current loop is not possible. Please contact TI through the E2E forums for more details on how to utilize this circuit.

---

## 4 OWI

The OWI circuitry in the PGA970EVM allows communicating with the PGA970 by using voltage level translation and current sensing circuitry. The OWI circuitry is mainly based on a summing amplifier using the OPA454. The summing amplifier principle compensates for voltage drops from any potential resistance or diode drops on the VDD supply path so that the OWI logic levels (with respect to PWR\_GND) remain always the same regardless of current consumption by the PGA970. The OWI circuitry, shown in Figure 4, consists of four main blocks:

1. OWI write: UART data and activation pulses level translated to OWI voltage logic levels.
2. Offset voltage: Constant offset voltage selected by the user to compensate for constant drops from components such as reverse-protection diodes.
3. Current compensating voltage: This circuit will compensate for voltage drops that occur due to the current drop across any resistive elements in the path to VDD, such as current limiting resistors for ESD protection networks, drain-source resistance of Gate-Drive FETs, etc.
4. OWI read: Current to voltage and voltage level translation to UART voltage logic levels.

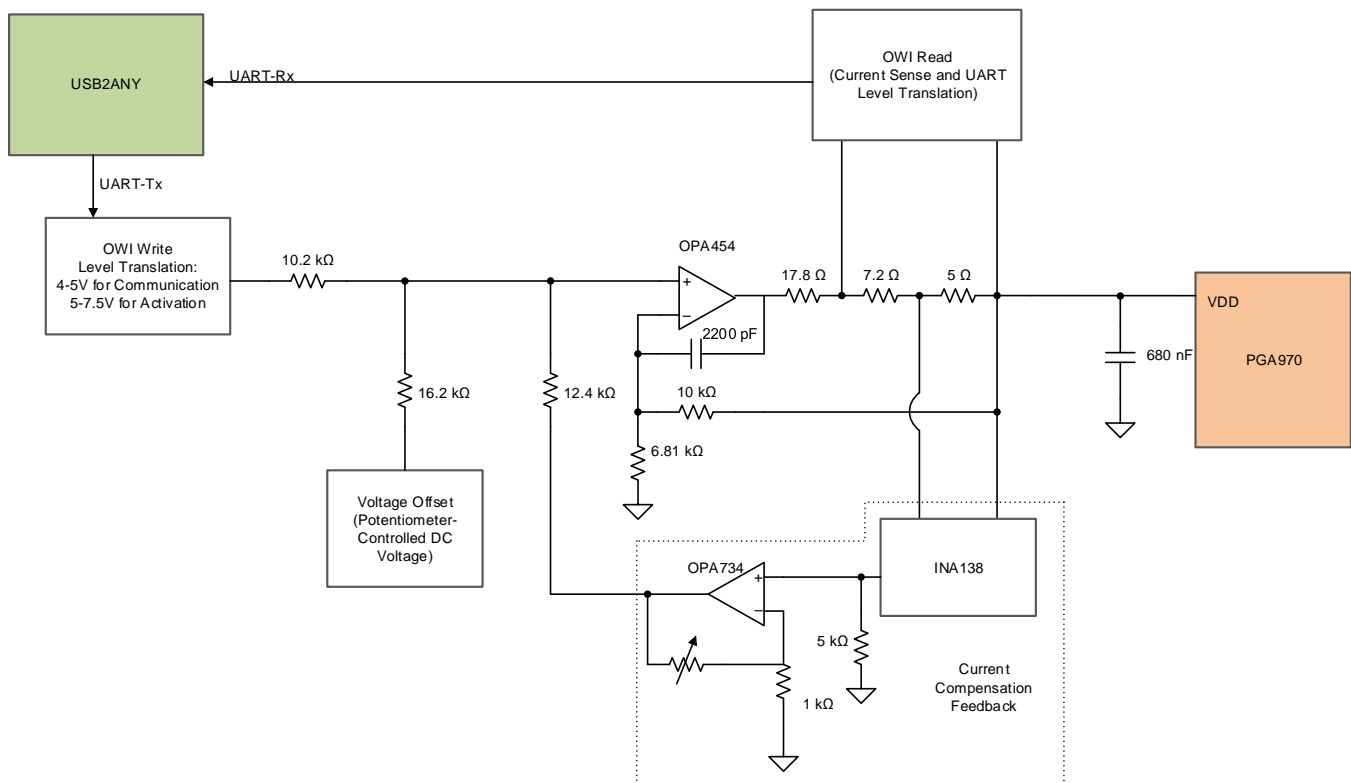
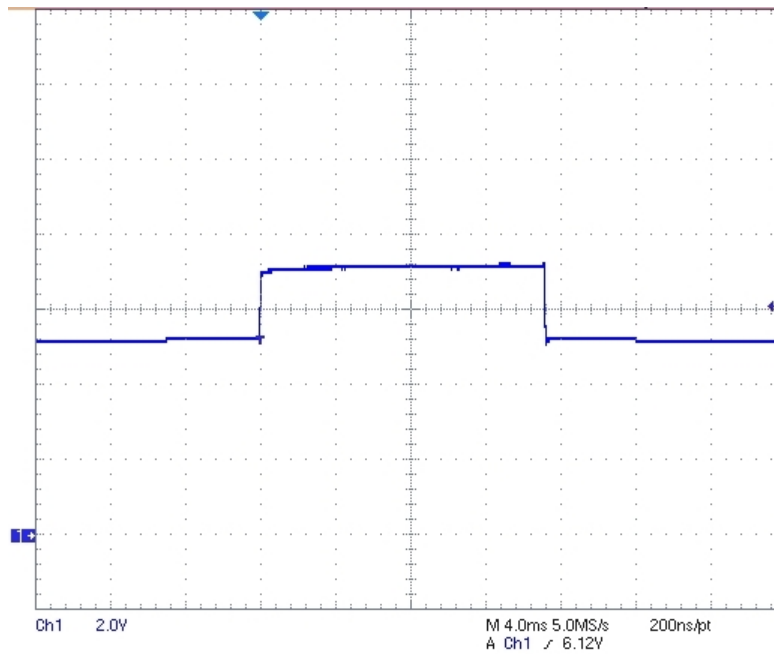


Figure 4. OWI Block Diagram

### 4.1 Activation Pulse

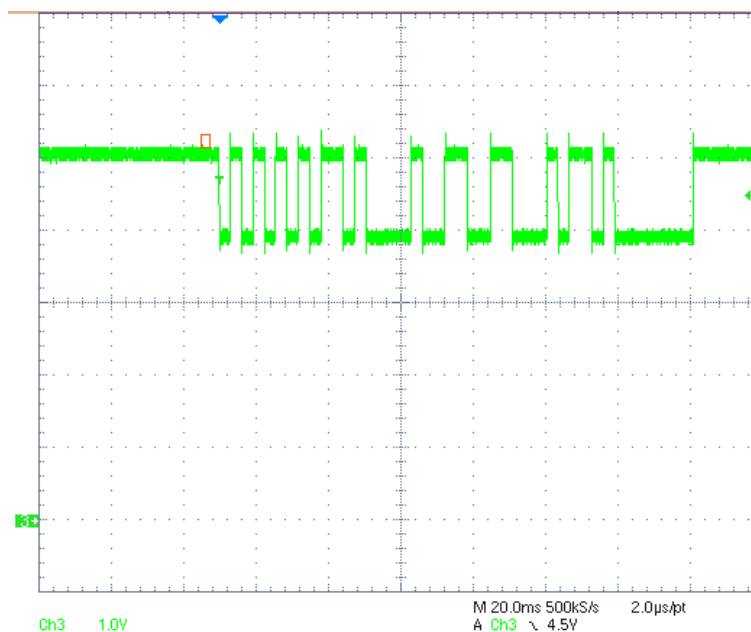
The activation pulse generated by the PGA970EVM generates the OWI interrupt needed to activate the OWI (with the proper firmware developed by the user). [Figure 5](#) shows the activation pulse from the PGA970EVM. To use this activation pulse, select the “Through Pulse” option from the “OWI Activation Mode” menu and then click “OWI”. The duration of the activation pulse varies due to software delays, but the minimum requirement of 1 or 10 ms is always met.



**Figure 5. OWI Activation Pulse Generated by the PGA970EVM in Voltage Mode**

### 4.2 Data Sent Through OWI

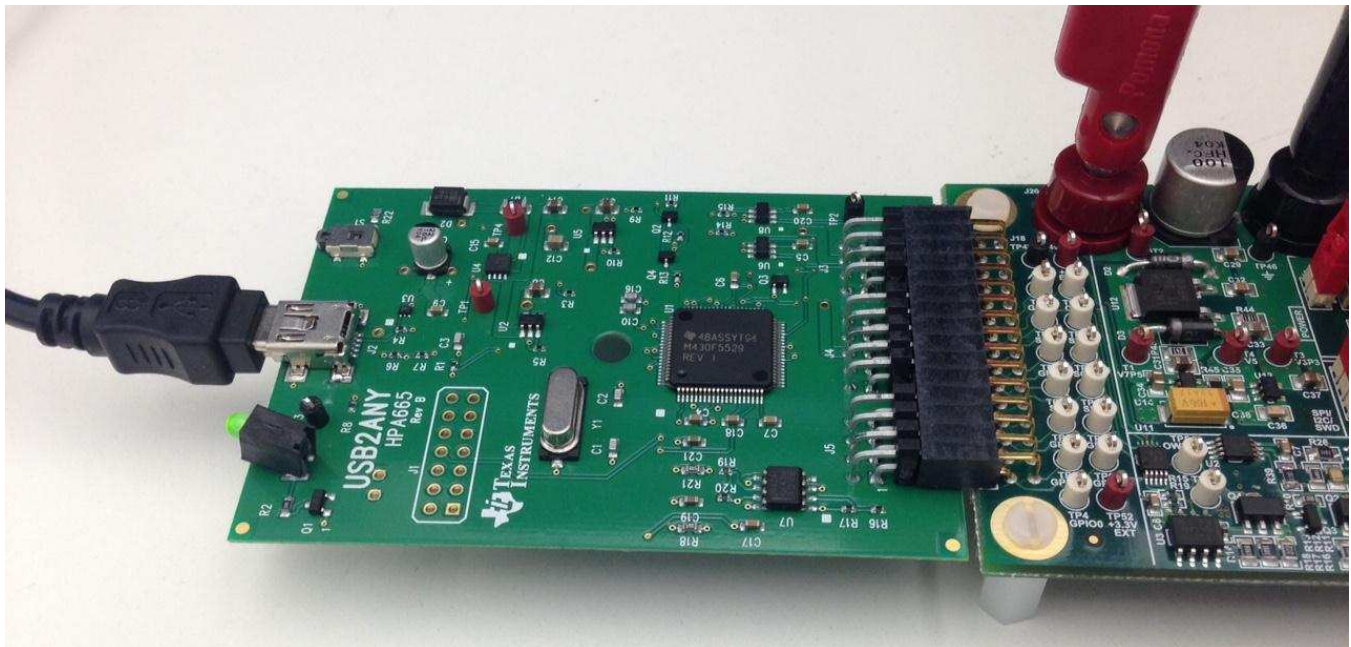
Data through OWI can be sent to the PGA970 at rates between 320 to 9600 bps. [Figure 6](#) shows data sent at 320 bps.



**Figure 6. OWI Data at 320 bps; Oscilloscope Probe is Connected at TP21 in the PGA970EVM**







**Figure 8. USB2ANY Connection to the PGA970EVM**



**Figure 9. USB2ANY**

Figure 10 shows the pinout of the USB2ANY. The ribbon cable can only be connected one way to the USB2ANY due to a latch present in the cable. A USB cable is included to connect the device to the PC. No external supply is needed.

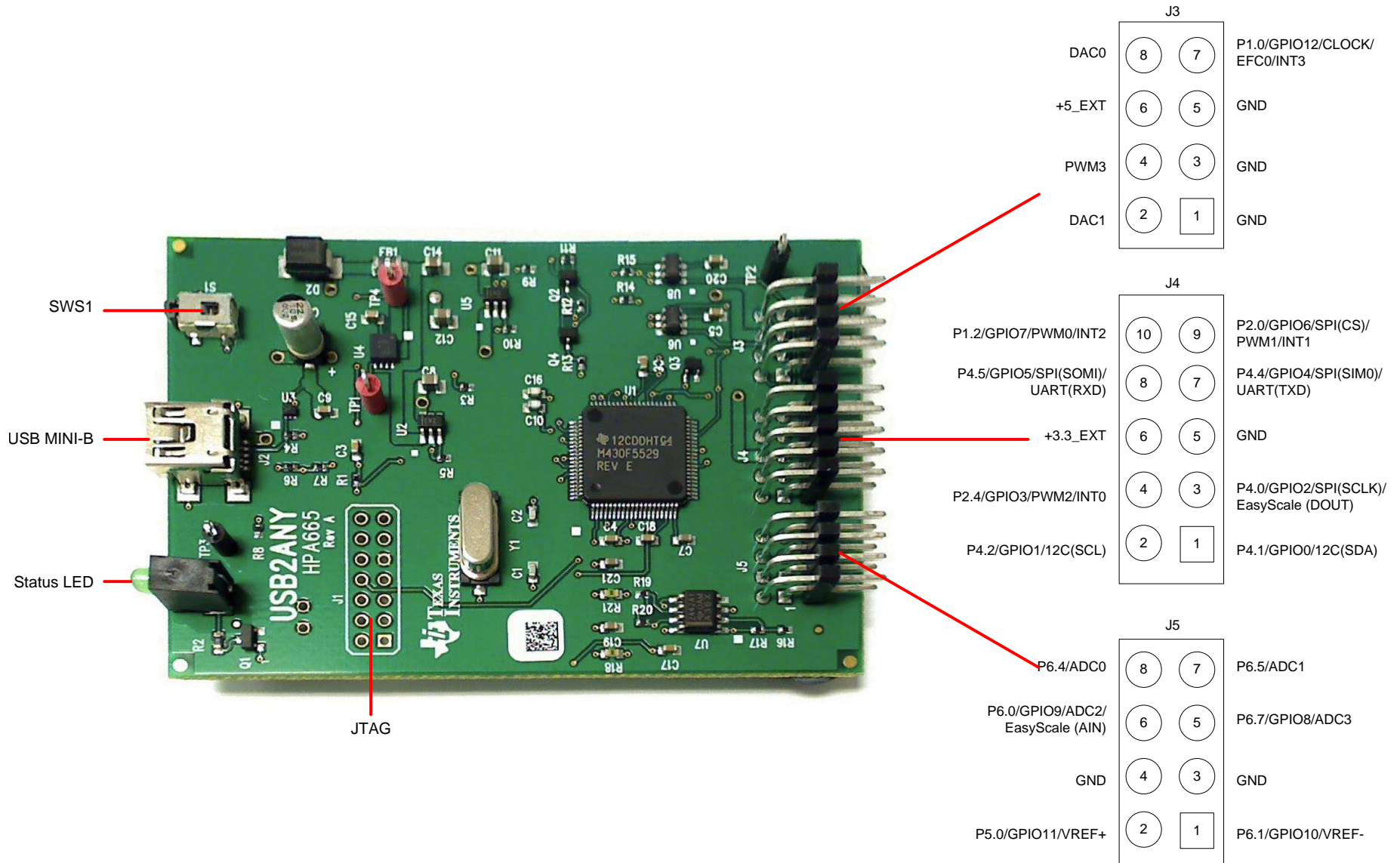


Figure 10. USB2ANY Pinout

## 6 Schematics

Figure 11 through Figure 16 show the PGA970EVM schematics.

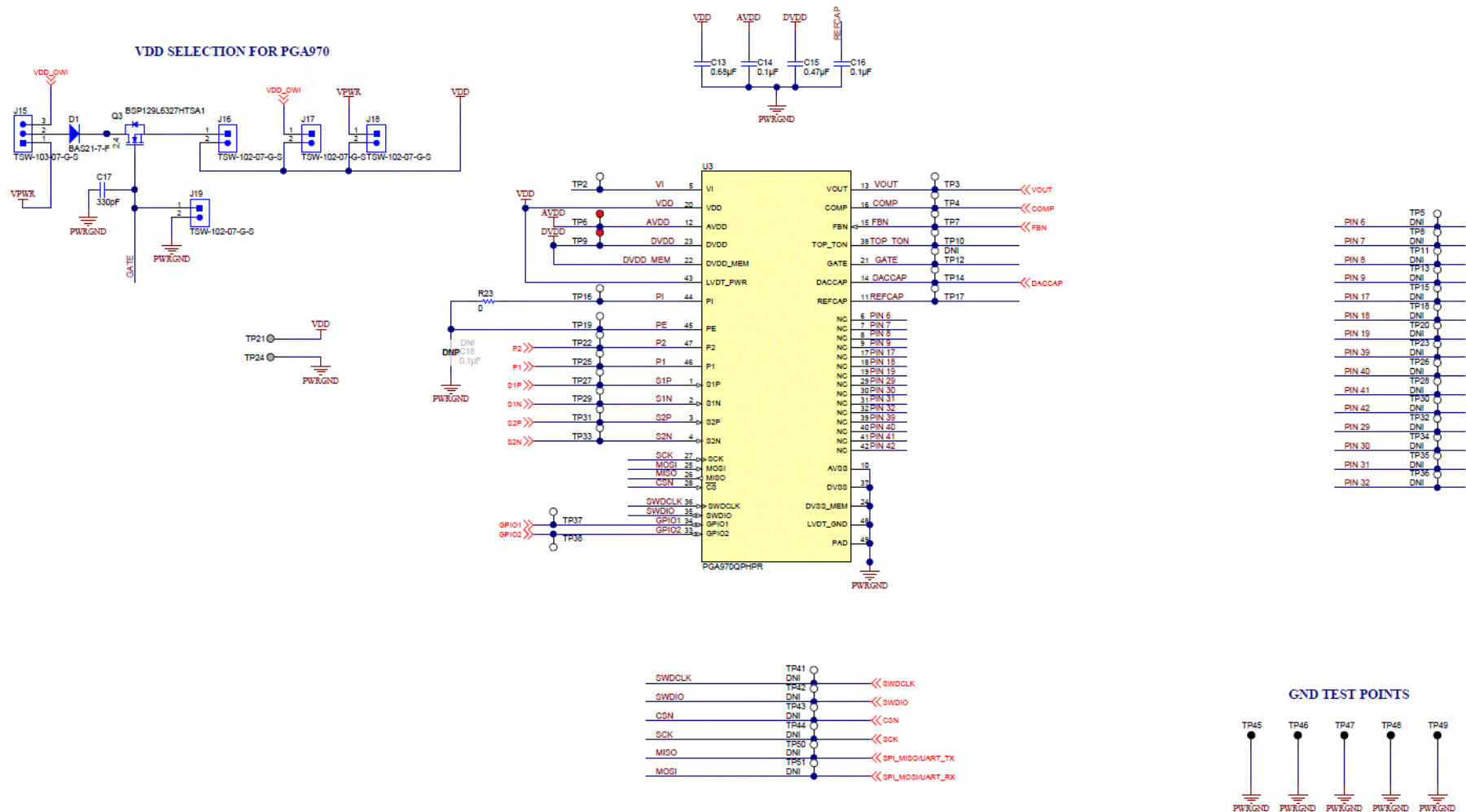
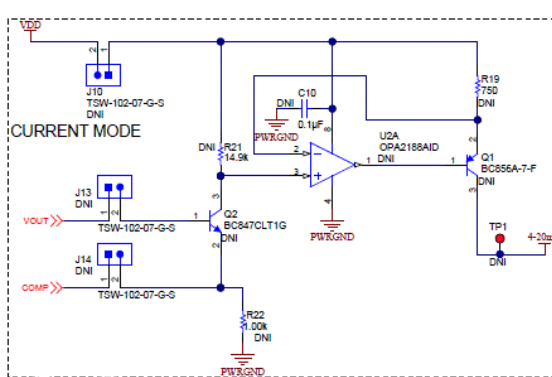
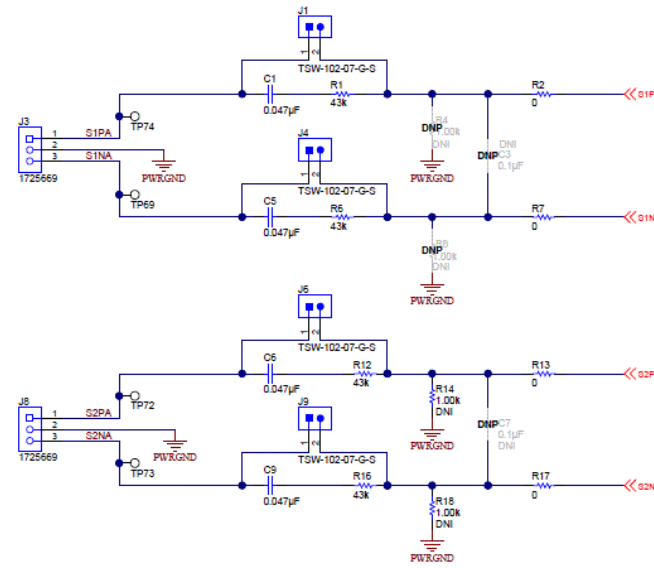
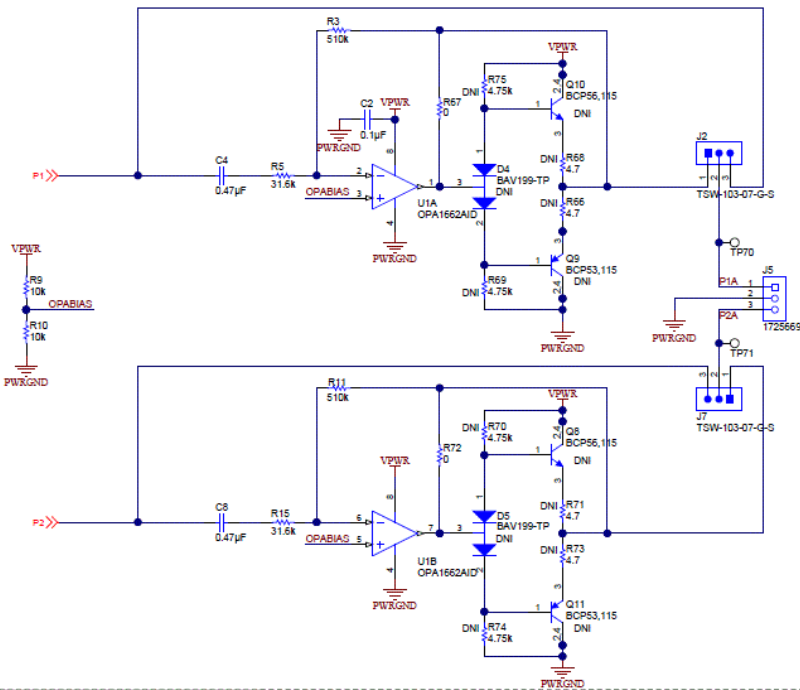


Figure 11. PGA970EVM Main Schematic

### LVDT SENSOR CONFIGURATIONS



### DAC OUTPUT CONFIGURATIONS

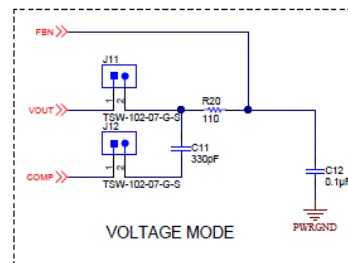


Figure 12. Input and Output Schematic



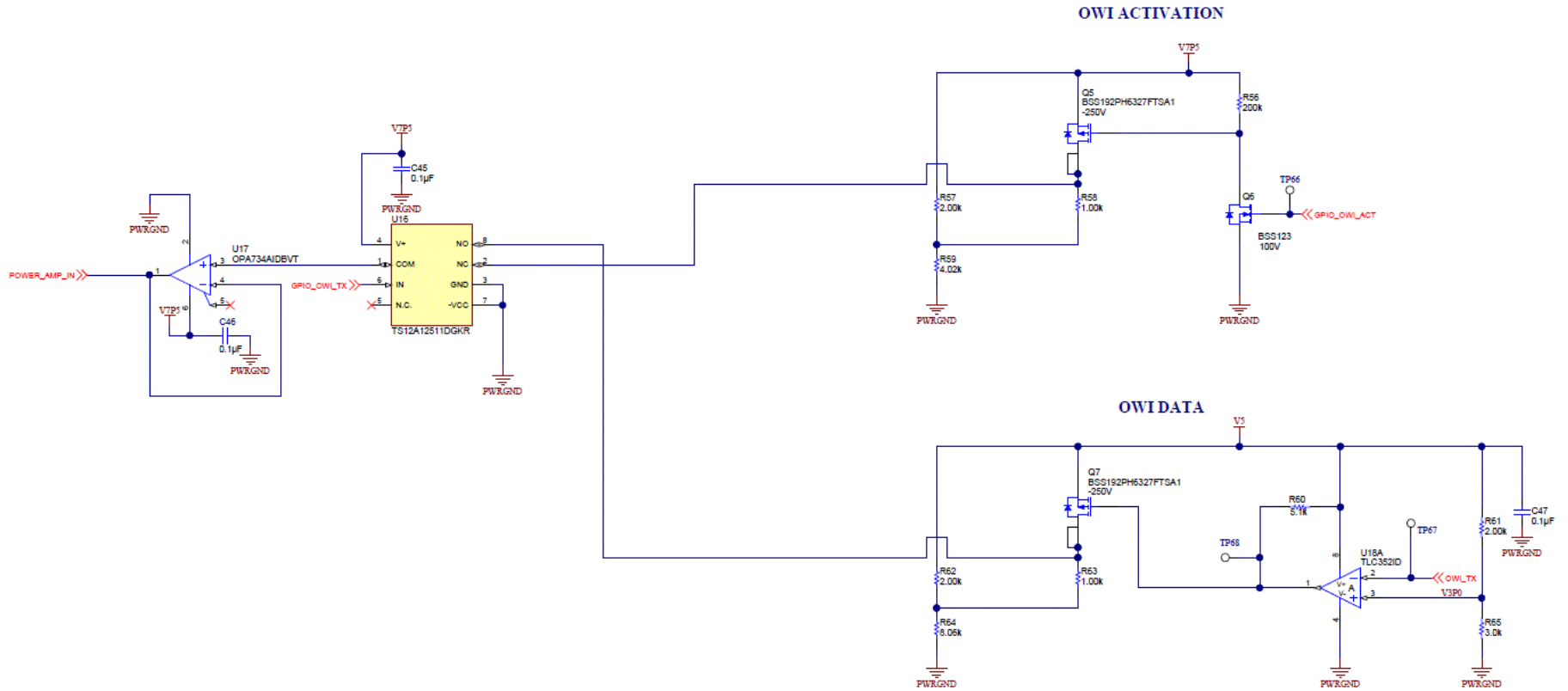


Figure 14. OWI Activation Pulse and Data Schematic

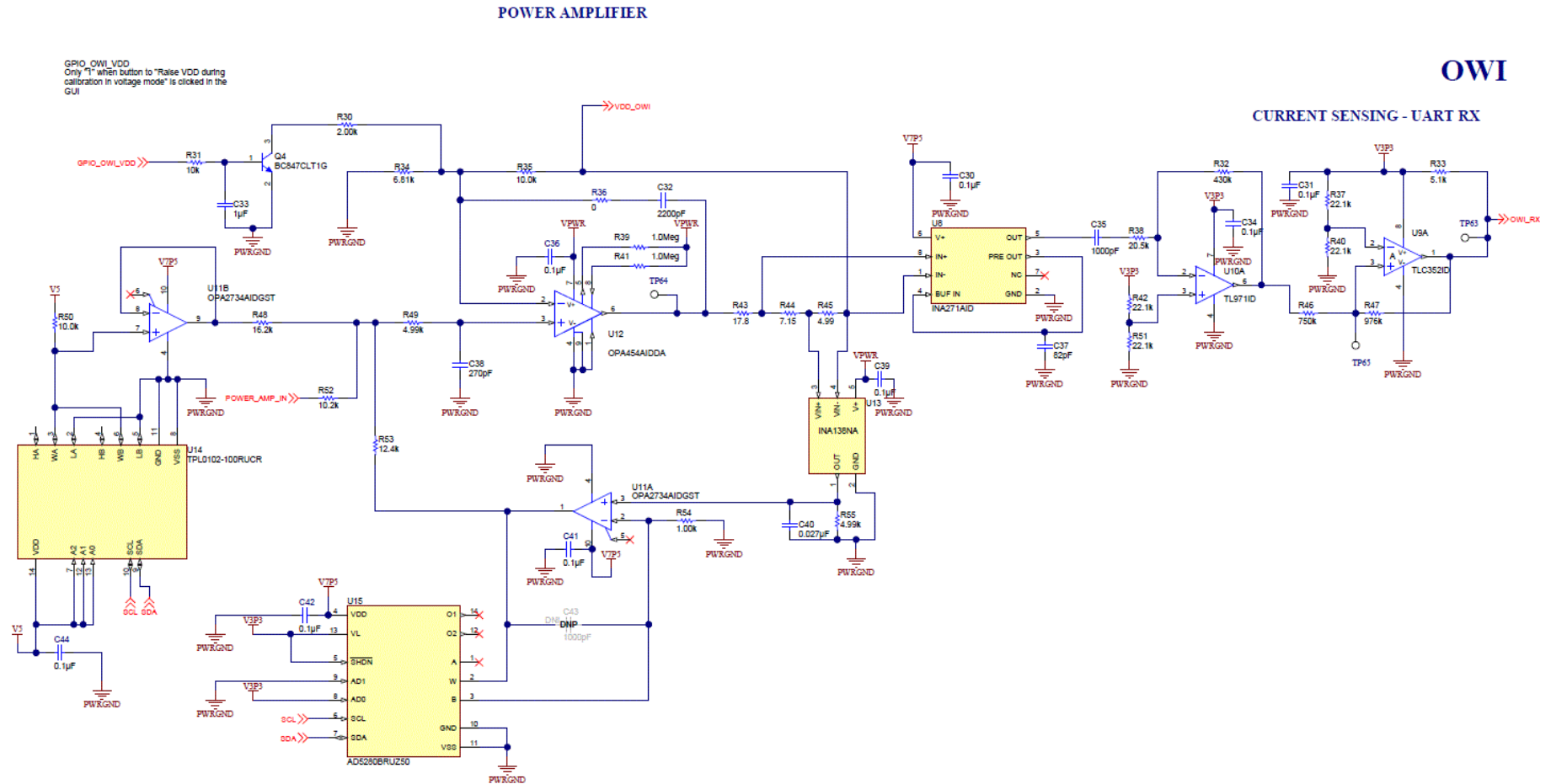
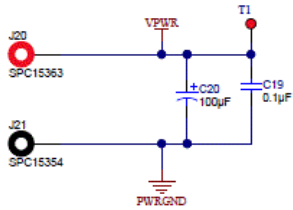


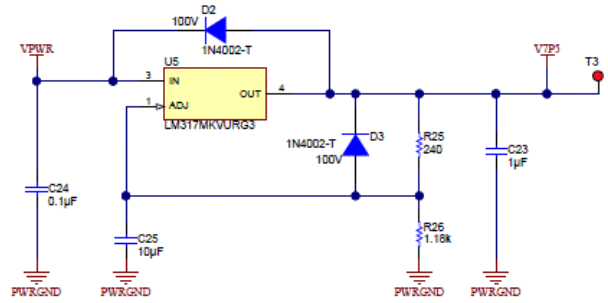
Figure 15. OWI Power Amplifier Schematic



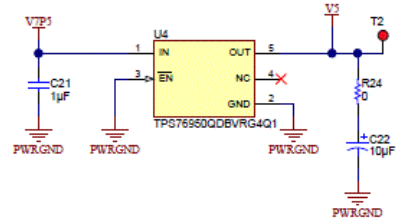
10V - 30V PGA970EVM input



7.5V Regulator



5V Regulator



3.3V Regulator

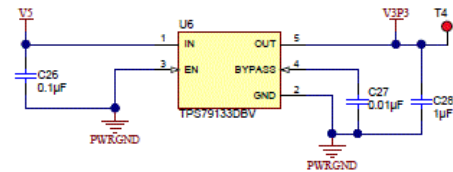


Figure 16. Power Supplies Schematic

## IMPORTANT NOTICE

Texas Instruments Incorporated and its subsidiaries (TI) reserve the right to make corrections, enhancements, improvements and other changes to its semiconductor products and services per JESD46, latest issue, and to discontinue any product or service per JESD48, latest issue. Buyers should obtain the latest relevant information before placing orders and should verify that such information is current and complete. All semiconductor products (also referred to herein as "components") are sold subject to TI's terms and conditions of sale supplied at the time of order acknowledgment.

TI warrants performance of its components to the specifications applicable at the time of sale, in accordance with the warranty in TI's terms and conditions of sale of semiconductor products. Testing and other quality control techniques are used to the extent TI deems necessary to support this warranty. Except where mandated by applicable law, testing of all parameters of each component is not necessarily performed.

TI assumes no liability for applications assistance or the design of Buyers' products. Buyers are responsible for their products and applications using TI components. To minimize the risks associated with Buyers' products and applications, Buyers should provide adequate design and operating safeguards.

TI does not warrant or represent that any license, either express or implied, is granted under any patent right, copyright, mask work right, or other intellectual property right relating to any combination, machine, or process in which TI components or services are used. Information published by TI regarding third-party products or services does not constitute a license to use such products or services or a warranty or endorsement thereof. Use of such information may require a license from a third party under the patents or other intellectual property of the third party, or a license from TI under the patents or other intellectual property of TI.

Reproduction of significant portions of TI information in TI data books or data sheets is permissible only if reproduction is without alteration and is accompanied by all associated warranties, conditions, limitations, and notices. TI is not responsible or liable for such altered documentation. Information of third parties may be subject to additional restrictions.

Resale of TI components or services with statements different from or beyond the parameters stated by TI for that component or service voids all express and any implied warranties for the associated TI component or service and is an unfair and deceptive business practice. TI is not responsible or liable for any such statements.

Buyer acknowledges and agrees that it is solely responsible for compliance with all legal, regulatory and safety-related requirements concerning its products, and any use of TI components in its applications, notwithstanding any applications-related information or support that may be provided by TI. Buyer represents and agrees that it has all the necessary expertise to create and implement safeguards which anticipate dangerous consequences of failures, monitor failures and their consequences, lessen the likelihood of failures that might cause harm and take appropriate remedial actions. Buyer will fully indemnify TI and its representatives against any damages arising out of the use of any TI components in safety-critical applications.

In some cases, TI components may be promoted specifically to facilitate safety-related applications. With such components, TI's goal is to help enable customers to design and create their own end-product solutions that meet applicable functional safety standards and requirements. Nonetheless, such components are subject to these terms.

No TI components are authorized for use in FDA Class III (or similar life-critical medical equipment) unless authorized officers of the parties have executed a special agreement specifically governing such use.

Only those TI components which TI has specifically designated as military grade or "enhanced plastic" are designed and intended for use in military/aerospace applications or environments. Buyer acknowledges and agrees that any military or aerospace use of TI components which have **not** been so designated is solely at the Buyer's risk, and that Buyer is solely responsible for compliance with all legal and regulatory requirements in connection with such use.

TI has specifically designated certain components as meeting ISO/TS16949 requirements, mainly for automotive use. In any case of use of non-designated products, TI will not be responsible for any failure to meet ISO/TS16949.

### Products

Audio	<a href="http://www.ti.com/audio">www.ti.com/audio</a>
Amplifiers	<a href="http://amplifier.ti.com">amplifier.ti.com</a>
Data Converters	<a href="http://dataconverter.ti.com">dataconverter.ti.com</a>
DLP® Products	<a href="http://www.dlp.com">www.dlp.com</a>
DSP	<a href="http://dsp.ti.com">dsp.ti.com</a>
Clocks and Timers	<a href="http://www.ti.com/clocks">www.ti.com/clocks</a>
Interface	<a href="http://interface.ti.com">interface.ti.com</a>
Logic	<a href="http://logic.ti.com">logic.ti.com</a>
Power Mgmt	<a href="http://power.ti.com">power.ti.com</a>
Microcontrollers	<a href="http://microcontroller.ti.com">microcontroller.ti.com</a>
RFID	<a href="http://www.ti-rfid.com">www.ti-rfid.com</a>
OMAP Applications Processors	<a href="http://www.ti.com/omap">www.ti.com/omap</a>
Wireless Connectivity	<a href="http://www.ti.com/wirelessconnectivity">www.ti.com/wirelessconnectivity</a>

### Applications

Automotive and Transportation	<a href="http://www.ti.com/automotive">www.ti.com/automotive</a>
Communications and Telecom	<a href="http://www.ti.com/communications">www.ti.com/communications</a>
Computers and Peripherals	<a href="http://www.ti.com/computers">www.ti.com/computers</a>
Consumer Electronics	<a href="http://www.ti.com/consumer-apps">www.ti.com/consumer-apps</a>
Energy and Lighting	<a href="http://www.ti.com/energy">www.ti.com/energy</a>
Industrial	<a href="http://www.ti.com/industrial">www.ti.com/industrial</a>
Medical	<a href="http://www.ti.com/medical">www.ti.com/medical</a>
Security	<a href="http://www.ti.com/security">www.ti.com/security</a>
Space, Avionics and Defense	<a href="http://www.ti.com/space-avionics-defense">www.ti.com/space-avionics-defense</a>
Video and Imaging	<a href="http://www.ti.com/video">www.ti.com/video</a>

### TI E2E Community

[e2e.ti.com](http://e2e.ti.com)