

## ISO224EVM Evaluation Module

This user's guide describes the characteristics, operation, and use of the ISO224EVM. This evaluation module (EVM) is an evaluation and development kit for evaluating the [ISO224](#) precision isolation amplifier. A complete circuit description as well as schematic diagram and bill of materials are included.

The following related documents are available through the Texas Instruments web site at [www.ti.com](http://www.ti.com).

### Related Documentation

Device	Literature Number
<a href="#">ISO224</a>	<a href="#">SBAS738</a>
<a href="#">SN6501</a>	<a href="#">SLLSEA0</a>
<a href="#">TLV6001</a>	<a href="#">SBOS779</a>
<a href="#">OPA277</a>	<a href="#">SBOS079</a>

### Contents

1	EVM Overview .....	2
2	Analog Interface.....	2
3	Power Supplies .....	3
4	EVM Operation.....	4
5	Layout, BOM, and Schematic .....	6

### List of Figures

1	ISO224EVM Schematic: Analog Input Section .....	2
2	ISO224EVM Schematic: Analog Output Section .....	3
3	VDD1 Input .....	3
4	VDD2 and U4 Input Power Connector .....	4
5	ISO224EVM Silkscreen Drawing .....	6
6	ISO224EVM Schematic.....	8

### List of Tables

1	J2: Analog Input.....	4
2	J1: Isolated Power.....	4
3	J3: VDD2 Power .....	5
4	J4: Analog Output .....	5
5	J5: U4 Power Input .....	5
6	ISO224EVM Bill of Materials .....	7

<sup>(1)</sup> All trademarks are the property of their respective owners.

## 1 EVM Overview

### 1.1 Features

This EVM supports the following features:

- Full-featured evaluation board for the ISO224 single-channel precision isolation amplifier
- Screw terminals for easy access to analog inputs and outputs
- Transformer and rectifiers to provide isolated power to VDD1 from VDD2
- Differential to Single-ended output options

### 1.2 Introduction

The ISO224 is a precision isolation amplifier with an output separated from the input circuitry by a silicon dioxide ( $\text{SiO}_2$ ) barrier that is highly resistant to magnetic interference. This barrier has been certified to provide basic galvanic isolation of up to  $7000 V_{\text{PEAK}}$  according to UL1577 and IEC60747-5-2 specifications.

The input of the ISO224 is optimized for accurate sensing of  $\pm 10$  V signals that are widely used in industrial applications. The ISO224 operates on a single 5 V power supply on the high-side which dramatically simplifies the design of the isolated power supply which reduces overall system costs.

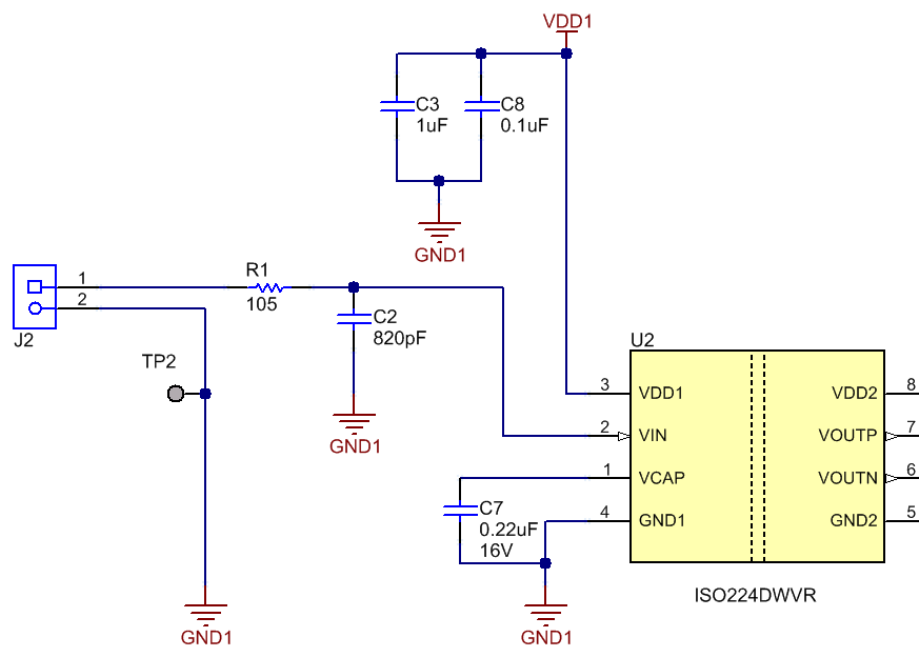
Throughout this document, the abbreviation *EVM* and the term *evaluation module* are synonymous with the ISO224EVM.

## 2 Analog Interface

The analog input to the ISO224 is routed from a two-wire screw terminal at J2 which provides access to the VINP terminal. An RC low-pass filter is provided between J2 and the VIN terminal (pin 2) of the ISO224.

### 2.1 Analog Inputs

The analog input to the ISO224EVM printed-circuit board (PCB) consists of screw terminal J2 and a low-pass RC filter circuit. The maximum input voltage range to the ISO224 is  $\pm 12$  V. An example input circuit for the ISO224 is shown in [Figure 1](#).



**Figure 1. ISO224EVM Schematic: Analog Input Section**

## 2.2 Analog Output

The analog output from the ISO224EVM board is a fully-differential signal centered at VDD2/2. The output is available on test point TP3. Two differential to single ended output options are also included on the ISO224EVM. U4, an OPA277, provides a bi-polar output signal when the shunt on JP2 covers pins 1-2. U5, a TLV6001, provides a level shifted unipolar output when the shunt on JP2 covers pins 2-3. In either case, the single ended output is provided at the screw terminals of J4, as Figure 2 shows.

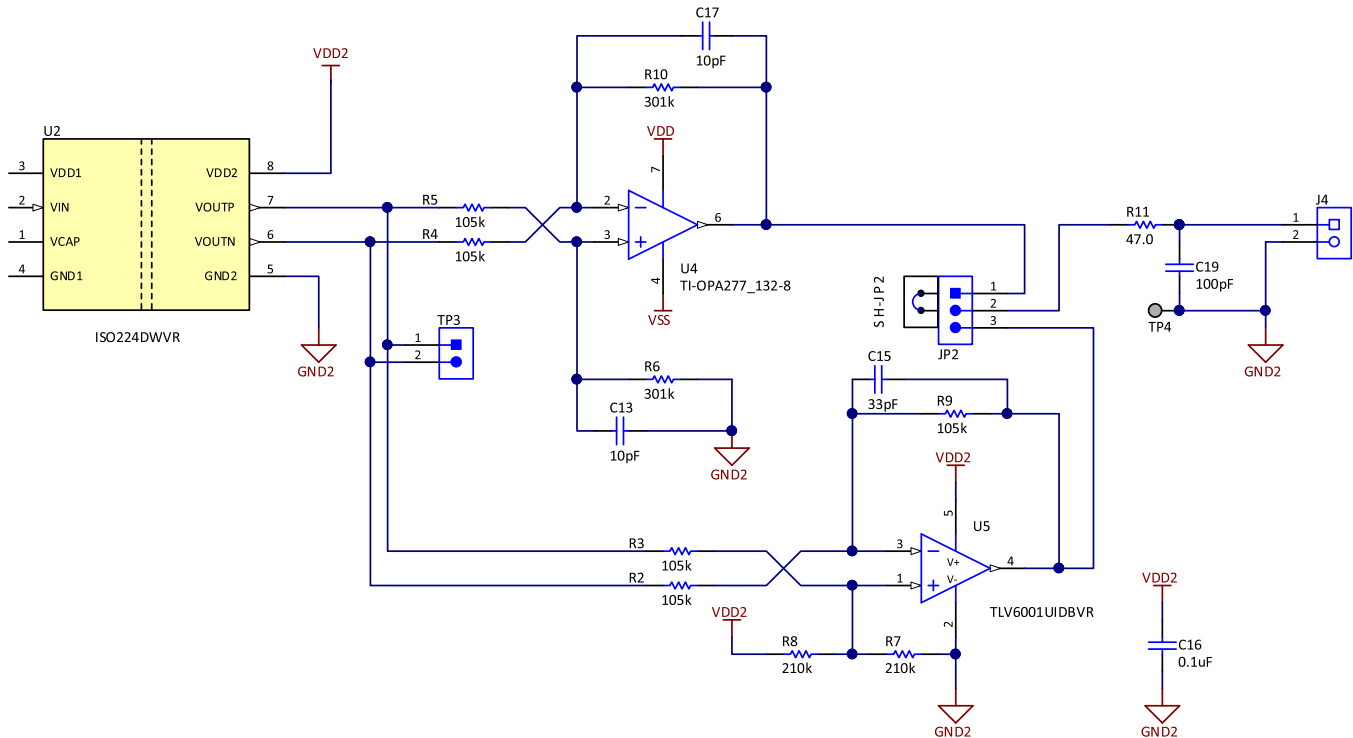


Figure 2. ISO224EVM Schematic: Analog Output Section

## 3 Power Supplies

The ISO224 requires two separate power rails, VDD1 and VDD2. VDD1 is on the high voltage side of the amplifier. VDD2 is on the user side of the amplifier.

### 3.1 VDD1 Input

J1 provides access to the VDD1 supply. For power provided from high-side isolated rails (such as from a gate-drive supply), move the shunt on jumper JP1 to cover pins 2 and 3. Use a voltage between 4.5 VDC and 18 VDC for the user-applied VDD1 supply. In the EVM default configuration, VDD1 is provided from VDD2 by means of U1, a 5 V LDO an isolation transformer and U3, an SN6501 transformer driver. In the default configuration, apply 5 V to VDD2 through J3. The input power is shown in Figure 3.

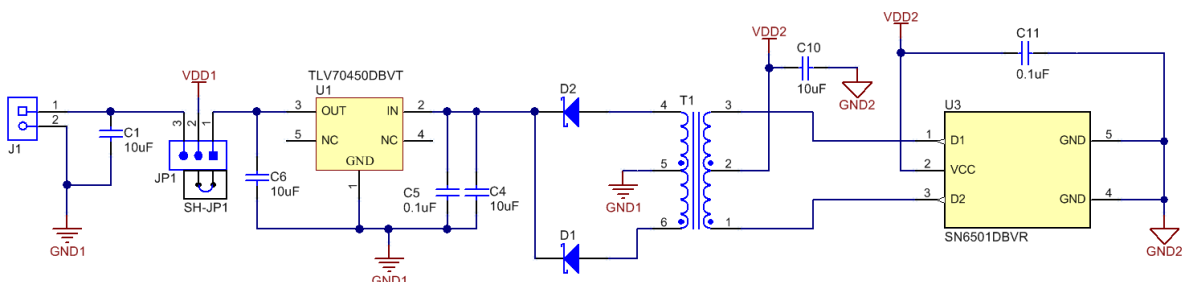


Figure 3. VDD1 Input

### 3.2 VDD2 Input

The user side of the ISO224 isolation amplifier is rated for  $4.5 V_{DC}$  to  $5.5 V_{DC}$  and is applied to the amplifier using J3. Figure 4 illustrates the power input for VDD2. Power for U4 is provided via three-terminal screw connector J5. The typical voltage input for J5 would be  $\pm 15 V_{DC}$ .

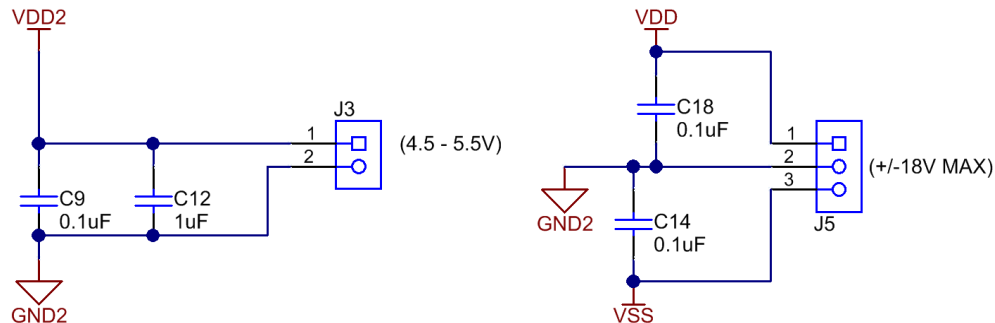


Figure 4. VDD2 and U4 Input Power Connector

## 4 EVM Operation

This section describes the general operation of the ISO224EVM.

### 4.1 Isolated Power and Analog Inputs: J1 and J2

The analog input to the ISO224EVM board can be applied directly to J2 pins 1 and 2.

#### CAUTION

For the limitations of the analog input range, and to ensure that the appropriate analog and digital voltages are applied before connecting any analog input to the EVM, see [ISO224x  \$\pm 12\$ -V Single-Ended Input Isolation Amplifier](#).

Table 1 summarizes the details of J2.

Table 1. J2: Analog Input

Pin Number	Signal	Description
J2.1	VIN	Bipolar input to the ISO224 (pin 2)
J2.2	GND1	Ground reference for the analog input

The isolated power input to the ISO224 EVM PCB can be applied directly to J1, pins 1 and 2. Table 2 lists the details of J1.

Table 2. J1: Isolated Power

Pin Number	Signal	Description
J1.1	VDD1	Connection to the ISO224 VDD1 terminal (pin 3)
J1.2	GND1	Connection to the ISO224 GND1 terminal (pin 4)

## 4.2 User Power and Analog Output: J3 and J4

The VDD2 power input to the ISO224EVM PCB can be applied directly to J3, pins 1 and 2. [Table 3](#) lists the details of J3.

**Table 3. J3: VDD2 Power**

Pin Number	Signal	Description
J3.1	VDD2	Connection to the ISO224 VDD2 terminal (pin 8)
J3.2	GND2	Connection to the ISO224 GND2 terminal (pin 5)

The analog output from the ISO224EVM board is applied directly to J4, pins 1 and 2. [Table 4](#) summarizes the details of J4.

**Table 4. J4: Analog Output**

Pin Number	Signal	Description
J4.1	VOUT	Analog output from U4 or U5 via JP2
J4.2	GND2	Ground reference for the analog output

Power for U4 may be applied through J5, pins 1, 2 and 3. [Table 5](#) summarizes the details of J5.

**Table 5. J5: U4 Power Input**

Pin Number	Signal	Description
J5.1	VDD	Positive Supply Rail for U5
J5.2	GND2	Ground reference for the analog output
J5.3	VSS	Negative Supply Rail for U5

## 4.3 Device Operation

After the VDD1 and VDD2 power is applied to the ISO224EVM, the analog output is available with a fixed gain of 1/3 V/V and a dc offset equal to VDD2/2.

An analog input signal may be applied directly at screw terminal J2. Refer to [Figure 1](#) and [Table 1](#) for details. The single-ended analog input range, (VIN) is specified at  $\pm 12$  V maximum.

The analog output has a nominal gain of 1/3 through the ISO224 isolation amplifier. With an input voltage of  $\pm 12$  V, the nominal output is therefore  $\pm 4.0$  V differential. The output voltage is centered on VDD2/2 and presented on TP3. To facilitate single-ended outputs, U4 and U5 are also included with the ISO224EVM. U4 provides a gain of 3 V/V to recover the original magnitude of the analog input signal. U5 provides level shifting and unity gain. The outputs of U4 or U5 are provided on J4 depending on the location of the shunt on JP2.

## 5 Layout, BOM, and Schematic

This sections contains the PCB layout, [bill of materials](#), and [schematic](#) of the ISO224EVM.

### 5.1 Layout

[Figure 5](#) shows the ISO224 PCB layout.

**NOTE:** Board layout is not to scale. [Figure 5](#) shows how the board is laid out. It is not intended to be used for manufacturing ISO224EVM PCBs.

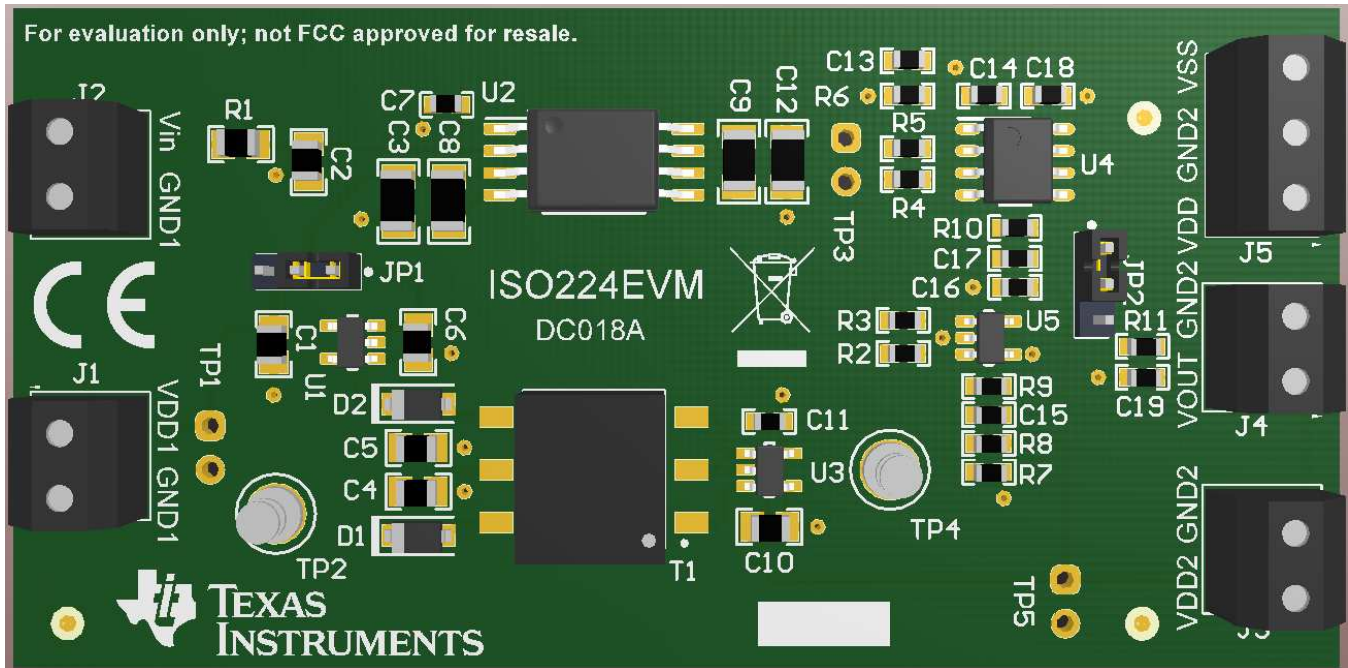


Figure 5. ISO224EVM Silkscreen Drawing

## 5.2 Bill of Material

The bills of material is listed in [Table 6](#).

**NOTE:** All components should be RoHS compliant. Some part numbers may be either leaded or RoHS. Verify that purchased components are RoHS compliant.

**Table 6. ISO224EVM Bill of Materials**

Item	Qty	Ref Des	Description	Manufacturer	Part Number
1	4	C1, C4, C6, C10	CAP, CERM, 10 uF, 16 V, +/- 10%, X5R, 0805	TDK	C2012X5R1H475K125AB
2	1	C2	CAP, CERM, 820 pF, 50 V, +/- 5%, C0G/NP0, 0805	AVX	08055A821JAT2A
3	2	C3, C12	CAP, CERM, 1 uF, 25 V, +/- 10%, X7R, 1206	AVX	12063C105KAT2A
4	1	C5	CAP, CERM, 0.1 uF, 25 V, +/- 10%, X7R, 0805	Kemet	C0805C104K3RACTU
5	1	C7	CAP, CERM, 0.22 uF, 16 V, +/- 10%, X7R, 0603	Würth Elektronik	885012206048
6	2	C8, C9	CAP, CERM, 0.1 uF, 100 V, +/- 5%, X7R, 1206	AVX	12061C104JAT2A
7	4	C11, C14, C16, C18	CAP, CERM, 0.1 uF, 25 V, +/- 5%, X7R, 0603	AVX	06033C104JAT2A
8	2	C13, C17	CAP, CERM, 10 pF, 50 V, +/- 5%, C0G/NP0, 0603	Kemet	C0603C100J5GACTU
9	1	C15	CAP, CERM, 33 pF, 50 V, +/- 5%, C0G/NP0, 0603	Kemet	C0603C330J5GACTU
10	1	C19	CAP, CERM, 100 pF, 10 V, +/- 10%, X7R, 0603	AVX	0603ZC101KAT2A
11	2	D1, D2	Diode, Schottky, 20 V, 0.5 A, SOD-123	ON Semiconductor	MBR0520LT1G
12	4	J1, J2, J3, J4	Terminal Block, 3.5mm Pitch, 2x1, TH	On-Shore Technology	ED555/2DS
13	1	J5	Terminal Block, 3.5mm Pitch, 3x1, TH	On-Shore Technology	ED555/3DS
14	2	JP1, JP2	Header, 2mm, 3x1, Tin, TH	Samtec	TMM-103-01-T-S
15	1	R1	RES, 105, 1%, 0.125 W, AEC-Q200 Grade 0, 0805	Vishay-Dale	CRCW0805105RFKEA
16	5	R2, R3, R4, R5, R9	RES, 105 k, 1%, 0.1 W, AEC-Q200 Grade 0, 0603	Vishay-Dale	CRCW0603105KFKEA
17	2	R6, R10	RES, 301 k, 1%, 0.1 W, AEC-Q200 Grade 0, 0603	Vishay-Dale	CRCW0603301KFKEA
18	2	R7, R8	RES, 210 k, 1%, 0.1 W, 0603	Yageo America	RC0603FR-07210KL
19	1	R11	RES, 47.0, 1%, 0.1 W, 0603	Yageo America	RC0603FR-0747RL
20	2	SH-JP1, SH-JP2	Shunt, 2mm, Gold plated, Black	Samtec	2SN-BK-G
21	1	T1	Transformer, 340uH, SMT	Würth Elektronik	750313769
22	2	TP2, TP4	Terminal, Turret, TH, Double	Keystone	1502-2
23	1	U1	Single Output LDO, 150 mA, Fixed 5 V Output	Texas Instruments	TLV70450DBVT
24	1	U2	Isolated Amplifier with ±12 V Input and Differential Output	Texas Instruments	ISO224DWVR
25	1	U3	Low-Noise 350 mA, 410 kHz Transformer Driver	Texas Instruments	SN6501DBVR
26	1	U4	High Precision Operational Amplifier, 4 to 36 V	Texas Instruments	OPA277UA
27	1	U5	1-MHz, Low-Power Operational Amplifier	Texas Instruments	TLV6001UIDBVR

### 5.3 Schematic

Figure 6 illustrates the ISO224EVM schematic.

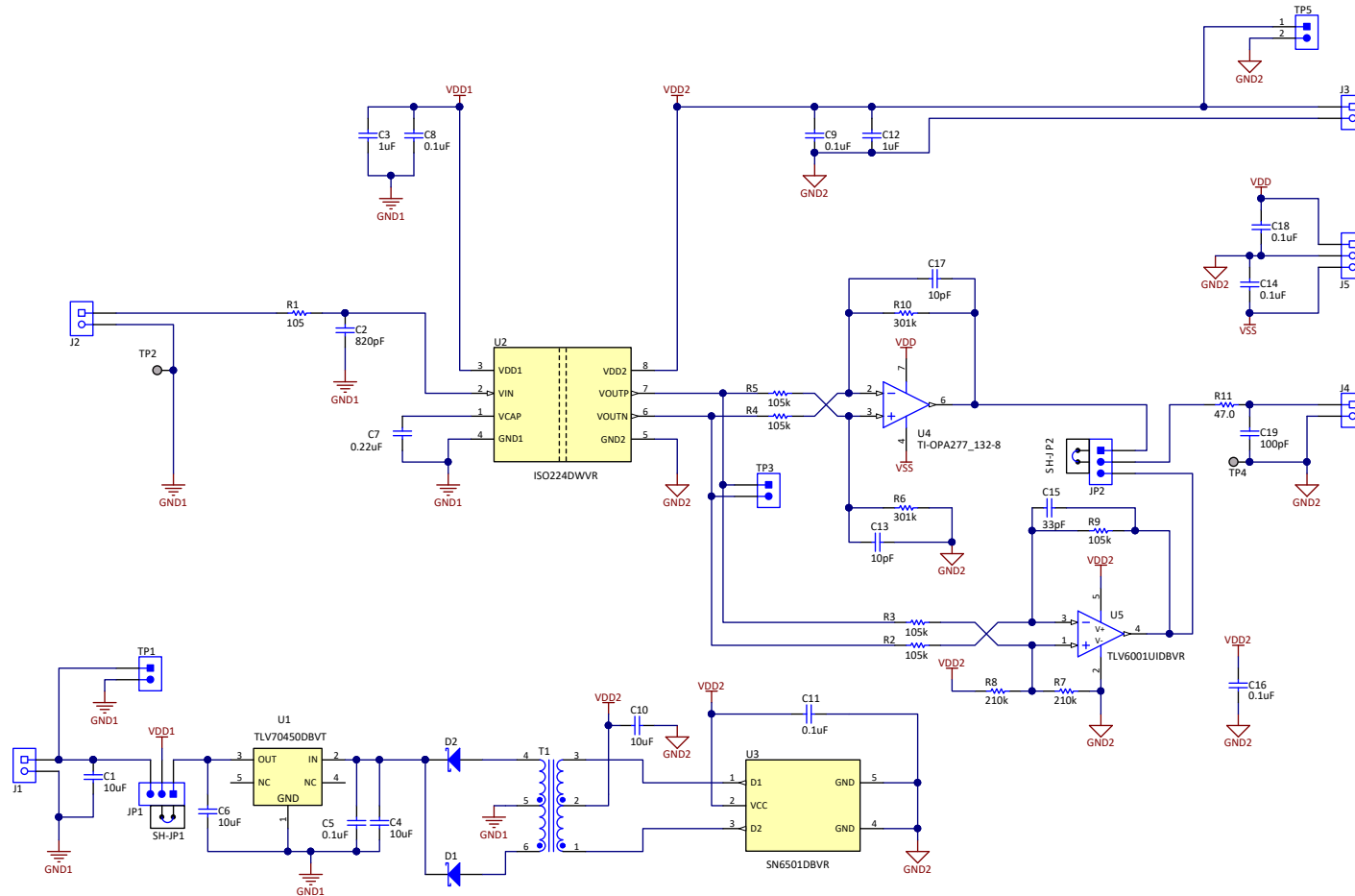


Figure 6. ISO224EVM Schematic



## STANDARD TERMS FOR EVALUATION MODULES

1. *Delivery:* TI delivers TI evaluation boards, kits, or modules, including any accompanying demonstration software, components, and/or documentation which may be provided together or separately (collectively, an "EVM" or "EVMs") to the User ("User") in accordance with the terms set forth herein. User's acceptance of the EVM is expressly subject to the following terms.
  - 1.1 EVMs are intended solely for product or software developers for use in a research and development setting to facilitate feasibility evaluation, experimentation, or scientific analysis of TI semiconductor products. EVMs have no direct function and are not finished products. EVMs shall not be directly or indirectly assembled as a part or subassembly in any finished product. For clarification, any software or software tools provided with the EVM ("Software") shall not be subject to the terms and conditions set forth herein but rather shall be subject to the applicable terms that accompany such Software
  - 1.2 EVMs are not intended for consumer or household use. EVMs may not be sold, sublicensed, leased, rented, loaned, assigned, or otherwise distributed for commercial purposes by Users, in whole or in part, or used in any finished product or production system.
2. *Limited Warranty and Related Remedies/Disclaimers:*
  - 2.1 These terms do not apply to Software. The warranty, if any, for Software is covered in the applicable Software License Agreement.
  - 2.2 TI warrants that the TI EVM will conform to TI's published specifications for ninety (90) days after the date TI delivers such EVM to User. Notwithstanding the foregoing, TI shall not be liable for a nonconforming EVM if (a) the nonconformity was caused by neglect, misuse or mistreatment by an entity other than TI, including improper installation or testing, or for any EVMs that have been altered or modified in any way by an entity other than TI, (b) the nonconformity resulted from User's design, specifications or instructions for such EVMs or improper system design, or (c) User has not paid on time. Testing and other quality control techniques are used to the extent TI deems necessary. TI does not test all parameters of each EVM. User's claims against TI under this Section 2 are void if User fails to notify TI of any apparent defects in the EVMs within ten (10) business days after delivery, or of any hidden defects with ten (10) business days after the defect has been detected.
  - 2.3 TI's sole liability shall be at its option to repair or replace EVMs that fail to conform to the warranty set forth above, or credit User's account for such EVM. TI's liability under this warranty shall be limited to EVMs that are returned during the warranty period to the address designated by TI and that are determined by TI not to conform to such warranty. If TI elects to repair or replace such EVM, TI shall have a reasonable time to repair such EVM or provide replacements. Repaired EVMs shall be warranted for the remainder of the original warranty period. Replaced EVMs shall be warranted for a new full ninety (90) day warranty period.
3. *Regulatory Notices:*
  - 3.1 *United States*
    - 3.1.1 *Notice applicable to EVMs not FCC-Approved:*

**FCC NOTICE:** This kit is designed to allow product developers to evaluate electronic components, circuitry, or software associated with the kit to determine whether to incorporate such items in a finished product and software developers to write software applications for use with the end product. This kit is not a finished product and when assembled may not be resold or otherwise marketed unless all required FCC equipment authorizations are first obtained. Operation is subject to the condition that this product not cause harmful interference to licensed radio stations and that this product accept harmful interference. Unless the assembled kit is designed to operate under part 15, part 18 or part 95 of this chapter, the operator of the kit must operate under the authority of an FCC license holder or must secure an experimental authorization under part 5 of this chapter.
    - 3.1.2 *For EVMs annotated as FCC – FEDERAL COMMUNICATIONS COMMISSION Part 15 Compliant:*

### CAUTION

This device complies with part 15 of the FCC Rules. Operation is subject to the following two conditions: (1) This device may not cause harmful interference, and (2) this device must accept any interference received, including interference that may cause undesired operation.

Changes or modifications not expressly approved by the party responsible for compliance could void the user's authority to operate the equipment.

### FCC Interference Statement for Class A EVM devices

*NOTE: This equipment has been tested and found to comply with the limits for a Class A digital device, pursuant to part 15 of the FCC Rules. These limits are designed to provide reasonable protection against harmful interference when the equipment is operated in a commercial environment. This equipment generates, uses, and can radiate radio frequency energy and, if not installed and used in accordance with the instruction manual, may cause harmful interference to radio communications. Operation of this equipment in a residential area is likely to cause harmful interference in which case the user will be required to correct the interference at his own expense.*

## **FCC Interference Statement for Class B EVM devices**

*NOTE: This equipment has been tested and found to comply with the limits for a Class B digital device, pursuant to part 15 of the FCC Rules. These limits are designed to provide reasonable protection against harmful interference in a residential installation. This equipment generates, uses and can radiate radio frequency energy and, if not installed and used in accordance with the instructions, may cause harmful interference to radio communications. However, there is no guarantee that interference will not occur in a particular installation. If this equipment does cause harmful interference to radio or television reception, which can be determined by turning the equipment off and on, the user is encouraged to try to correct the interference by one or more of the following measures:*

- *Reorient or relocate the receiving antenna.*
- *Increase the separation between the equipment and receiver.*
- *Connect the equipment into an outlet on a circuit different from that to which the receiver is connected.*
- *Consult the dealer or an experienced radio/TV technician for help.*

### **3.2 Canada**

3.2.1 *For EVMs issued with an Industry Canada Certificate of Conformance to RSS-210 or RSS-247*

#### **Concerning EVMs Including Radio Transmitters:**

This device complies with Industry Canada license-exempt RSSs. Operation is subject to the following two conditions:

(1) this device may not cause interference, and (2) this device must accept any interference, including interference that may cause undesired operation of the device.

#### **Concernant les EVMs avec appareils radio:**

Le présent appareil est conforme aux CNR d'Industrie Canada applicables aux appareils radio exempts de licence. L'exploitation est autorisée aux deux conditions suivantes: (1) l'appareil ne doit pas produire de brouillage, et (2) l'utilisateur de l'appareil doit accepter tout brouillage radioélectrique subi, même si le brouillage est susceptible d'en compromettre le fonctionnement.

#### **Concerning EVMs Including Detachable Antennas:**

Under Industry Canada regulations, this radio transmitter may only operate using an antenna of a type and maximum (or lesser) gain approved for the transmitter by Industry Canada. To reduce potential radio interference to other users, the antenna type and its gain should be so chosen that the equivalent isotropically radiated power (e.i.r.p.) is not more than that necessary for successful communication. This radio transmitter has been approved by Industry Canada to operate with the antenna types listed in the user guide with the maximum permissible gain and required antenna impedance for each antenna type indicated. Antenna types not included in this list, having a gain greater than the maximum gain indicated for that type, are strictly prohibited for use with this device.

#### **Concernant les EVMs avec antennes détachables**

Conformément à la réglementation d'Industrie Canada, le présent émetteur radio peut fonctionner avec une antenne d'un type et d'un gain maximal (ou inférieur) approuvé pour l'émetteur par Industrie Canada. Dans le but de réduire les risques de brouillage radioélectrique à l'intention des autres utilisateurs, il faut choisir le type d'antenne et son gain de sorte que la puissance isotrope rayonnée équivalente (p.i.r.e.) ne dépasse pas l'intensité nécessaire à l'établissement d'une communication satisfaisante. Le présent émetteur radio a été approuvé par Industrie Canada pour fonctionner avec les types d'antenne énumérés dans le manuel d'usage et ayant un gain admissible maximal et l'impédance requise pour chaque type d'antenne. Les types d'antenne non inclus dans cette liste, ou dont le gain est supérieur au gain maximal indiqué, sont strictement interdits pour l'exploitation de l'émetteur.

### **3.3 Japan**

3.3.1 *Notice for EVMs delivered in Japan:* Please see [http://www.tij.co.jp/lstds/ti\\_ja/general/eStore/notice\\_01.page](http://www.tij.co.jp/lstds/ti_ja/general/eStore/notice_01.page) 日本国内に輸入される評価用キット、ボードについては、次のところをご覧ください。  
[http://www.tij.co.jp/lstds/ti\\_ja/general/eStore/notice\\_01.page](http://www.tij.co.jp/lstds/ti_ja/general/eStore/notice_01.page)

3.3.2 *Notice for Users of EVMs Considered "Radio Frequency Products" in Japan:* EVMs entering Japan may not be certified by TI as conforming to Technical Regulations of Radio Law of Japan.

If User uses EVMs in Japan, not certified to Technical Regulations of Radio Law of Japan, User is required to follow the instructions set forth by Radio Law of Japan, which includes, but is not limited to, the instructions below with respect to EVMs (which for the avoidance of doubt are stated strictly for convenience and should be verified by User):

1. Use EVMs in a shielded room or any other test facility as defined in the notification #173 issued by Ministry of Internal Affairs and Communications on March 28, 2006, based on Sub-section 1.1 of Article 6 of the Ministry's Rule for Enforcement of Radio Law of Japan,
2. Use EVMs only after User obtains the license of Test Radio Station as provided in Radio Law of Japan with respect to EVMs, or
3. Use of EVMs only after User obtains the Technical Regulations Conformity Certification as provided in Radio Law of Japan with respect to EVMs. Also, do not transfer EVMs, unless User gives the same notice above to the transferee. Please note that if User does not follow the instructions above, User will be subject to penalties of Radio Law of Japan.

【無線電波を送信する製品の開発キットをお使いになる際の注意事項】 開発キットの中には技術基準適合証明を受けていないものがあります。技術適合証明を受けていないものご使用に際しては、電波法遵守のため、以下のいずれかの措置を取っていただく必要がありますのでご注意ください。

1. 電波法施行規則第6条第1項第1号に基づく平成18年3月28日総務省告示第173号で定められた電波暗室等の試験設備でご使用いただく。
2. 実験局の免許を取得後ご使用いただく。
3. 技術基準適合証明を取得後ご使用いただく。

なお、本製品は、上記の「ご使用にあたっての注意」を譲渡先、移転先に通知しない限り、譲渡、移転できないものとします。

上記を遵守頂けない場合は、電波法の罰則が適用される可能性があることをご留意ください。日本テキサス・インスツルメンツ株式会社  
東京都新宿区西新宿 6 丁目 2 4 番 1 号  
西新宿三井ビル

3.3.3 *Notice for EVMs for Power Line Communication:* Please see [http://www.tij.co.jp/lstds/ti\\_ja/general/eStore/notice\\_02.page](http://www.tij.co.jp/lstds/ti_ja/general/eStore/notice_02.page)  
電力線搬送波通信についての開発キットをお使いになる際の注意事項については、次のところをご覧ください。 [http://www.tij.co.jp/lstds/ti\\_ja/general/eStore/notice\\_02.page](http://www.tij.co.jp/lstds/ti_ja/general/eStore/notice_02.page)

#### 3.4 *European Union*

##### 3.4.1 *For EVMs subject to EU Directive 2014/30/EU (Electromagnetic Compatibility Directive):*

This is a class A product intended for use in environments other than domestic environments that are connected to a low-voltage power-supply network that supplies buildings used for domestic purposes. In a domestic environment this product may cause radio interference in which case the user may be required to take adequate measures.

#### 4 *EVM Use Restrictions and Warnings:*

4.1 EVMS ARE NOT FOR USE IN FUNCTIONAL SAFETY AND/OR SAFETY CRITICAL EVALUATIONS, INCLUDING BUT NOT LIMITED TO EVALUATIONS OF LIFE SUPPORT APPLICATIONS.

4.2 User must read and apply the user guide and other available documentation provided by TI regarding the EVM prior to handling or using the EVM, including without limitation any warning or restriction notices. The notices contain important safety information related to, for example, temperatures and voltages.

##### 4.3 *Safety-Related Warnings and Restrictions:*

4.3.1 User shall operate the EVM within TI's recommended specifications and environmental considerations stated in the user guide, other available documentation provided by TI, and any other applicable requirements and employ reasonable and customary safeguards. Exceeding the specified performance ratings and specifications (including but not limited to input and output voltage, current, power, and environmental ranges) for the EVM may cause personal injury or death, or property damage. If there are questions concerning performance ratings and specifications, User should contact a TI field representative prior to connecting interface electronics including input power and intended loads. Any loads applied outside of the specified output range may also result in unintended and/or inaccurate operation and/or possible permanent damage to the EVM and/or interface electronics. Please consult the EVM user guide prior to connecting any load to the EVM output. If there is uncertainty as to the load specification, please contact a TI field representative. During normal operation, even with the inputs and outputs kept within the specified allowable ranges, some circuit components may have elevated case temperatures. These components include but are not limited to linear regulators, switching transistors, pass transistors, current sense resistors, and heat sinks, which can be identified using the information in the associated documentation. When working with the EVM, please be aware that the EVM may become very warm.

4.3.2 EVMs are intended solely for use by technically qualified, professional electronics experts who are familiar with the dangers and application risks associated with handling electrical mechanical components, systems, and subsystems. User assumes all responsibility and liability for proper and safe handling and use of the EVM by User or its employees, affiliates, contractors or designees. User assumes all responsibility and liability to ensure that any interfaces (electronic and/or mechanical) between the EVM and any human body are designed with suitable isolation and means to safely limit accessible leakage currents to minimize the risk of electrical shock hazard. User assumes all responsibility and liability for any improper or unsafe handling or use of the EVM by User or its employees, affiliates, contractors or designees.

4.4 User assumes all responsibility and liability to determine whether the EVM is subject to any applicable international, federal, state, or local laws and regulations related to User's handling and use of the EVM and, if applicable, User assumes all responsibility and liability for compliance in all respects with such laws and regulations. User assumes all responsibility and liability for proper disposal and recycling of the EVM consistent with all applicable international, federal, state, and local requirements.

5. *Accuracy of Information:* To the extent TI provides information on the availability and function of EVMs, TI attempts to be as accurate as possible. However, TI does not warrant the accuracy of EVM descriptions, EVM availability or other information on its websites as accurate, complete, reliable, current, or error-free.

6. *Disclaimers:*

6.1 EXCEPT AS SET FORTH ABOVE, EVMS AND ANY MATERIALS PROVIDED WITH THE EVM (INCLUDING, BUT NOT LIMITED TO, REFERENCE DESIGNS AND THE DESIGN OF THE EVM ITSELF) ARE PROVIDED "AS IS" AND "WITH ALL FAULTS." TI DISCLAIMS ALL OTHER WARRANTIES, EXPRESS OR IMPLIED, REGARDING SUCH ITEMS, INCLUDING BUT NOT LIMITED TO ANY EPIDEMIC FAILURE WARRANTY OR IMPLIED WARRANTIES OF MERCHANTABILITY OR FITNESS FOR A PARTICULAR PURPOSE OR NON-INFRINGEMENT OF ANY THIRD PARTY PATENTS, COPYRIGHTS, TRADE SECRETS OR OTHER INTELLECTUAL PROPERTY RIGHTS.

6.2 EXCEPT FOR THE LIMITED RIGHT TO USE THE EVM SET FORTH HEREIN, NOTHING IN THESE TERMS SHALL BE CONSTRUED AS GRANTING OR CONFERRING ANY RIGHTS BY LICENSE, PATENT, OR ANY OTHER INDUSTRIAL OR INTELLECTUAL PROPERTY RIGHT OF TI, ITS SUPPLIERS/LICENSORS OR ANY OTHER THIRD PARTY, TO USE THE EVM IN ANY FINISHED END-USER OR READY-TO-USE FINAL PRODUCT, OR FOR ANY INVENTION, DISCOVERY OR IMPROVEMENT, REGARDLESS OF WHEN MADE, CONCEIVED OR ACQUIRED.

7. *USER'S INDEMNITY OBLIGATIONS AND REPRESENTATIONS.* USER WILL DEFEND, INDEMNIFY AND HOLD TI, ITS LICENSORS AND THEIR REPRESENTATIVES HARMLESS FROM AND AGAINST ANY AND ALL CLAIMS, DAMAGES, LOSSES, EXPENSES, COSTS AND LIABILITIES (COLLECTIVELY, "CLAIMS") ARISING OUT OF OR IN CONNECTION WITH ANY HANDLING OR USE OF THE EVM THAT IS NOT IN ACCORDANCE WITH THESE TERMS. THIS OBLIGATION SHALL APPLY WHETHER CLAIMS ARISE UNDER STATUTE, REGULATION, OR THE LAW OF TORT, CONTRACT OR ANY OTHER LEGAL THEORY, AND EVEN IF THE EVM FAILS TO PERFORM AS DESCRIBED OR EXPECTED.

8. *Limitations on Damages and Liability:*

8.1 *General Limitations.* IN NO EVENT SHALL TI BE LIABLE FOR ANY SPECIAL, COLLATERAL, INDIRECT, PUNITIVE, INCIDENTAL, CONSEQUENTIAL, OR EXEMPLARY DAMAGES IN CONNECTION WITH OR ARISING OUT OF THESE TERMS OR THE USE OF THE EVMS, REGARDLESS OF WHETHER TI HAS BEEN ADVISED OF THE POSSIBILITY OF SUCH DAMAGES. EXCLUDED DAMAGES INCLUDE, BUT ARE NOT LIMITED TO, COST OF REMOVAL OR REINSTALLATION, ANCILLARY COSTS TO THE PROCUREMENT OF SUBSTITUTE GOODS OR SERVICES, RETESTING, OUTSIDE COMPUTER TIME, LABOR COSTS, LOSS OF GOODWILL, LOSS OF PROFITS, LOSS OF SAVINGS, LOSS OF USE, LOSS OF DATA, OR BUSINESS INTERRUPTION. NO CLAIM, SUIT OR ACTION SHALL BE BROUGHT AGAINST TI MORE THAN TWELVE (12) MONTHS AFTER THE EVENT THAT GAVE RISE TO THE CAUSE OF ACTION HAS OCCURRED.

8.2 *Specific Limitations.* IN NO EVENT SHALL TI'S AGGREGATE LIABILITY FROM ANY USE OF AN EVM PROVIDED HEREUNDER, INCLUDING FROM ANY WARRANTY, INDEMNITY OR OTHER OBLIGATION ARISING OUT OF OR IN CONNECTION WITH THESE TERMS, EXCEED THE TOTAL AMOUNT PAID TO TI BY USER FOR THE PARTICULAR EVM(S) AT ISSUE DURING THE PRIOR TWELVE (12) MONTHS WITH RESPECT TO WHICH LOSSES OR DAMAGES ARE CLAIMED. THE EXISTENCE OF MORE THAN ONE CLAIM SHALL NOT ENLARGE OR EXTEND THIS LIMIT.

9. *Return Policy.* Except as otherwise provided, TI does not offer any refunds, returns, or exchanges. Furthermore, no return of EVM(s) will be accepted if the package has been opened and no return of the EVM(s) will be accepted if they are damaged or otherwise not in a resalable condition. If User feels it has been incorrectly charged for the EVM(s) it ordered or that delivery violates the applicable order, User should contact TI. All refunds will be made in full within thirty (30) working days from the return of the components(s), excluding any postage or packaging costs.

10. *Governing Law:* These terms and conditions shall be governed by and interpreted in accordance with the laws of the State of Texas, without reference to conflict-of-laws principles. User agrees that non-exclusive jurisdiction for any dispute arising out of or relating to these terms and conditions lies within courts located in the State of Texas and consents to venue in Dallas County, Texas. Notwithstanding the foregoing, any judgment may be enforced in any United States or foreign court, and TI may seek injunctive relief in any United States or foreign court.

## IMPORTANT NOTICE FOR TI DESIGN INFORMATION AND RESOURCES

Texas Instruments Incorporated ("TI") technical, application or other design advice, services or information, including, but not limited to, reference designs and materials relating to evaluation modules, (collectively, "TI Resources") are intended to assist designers who are developing applications that incorporate TI products; by downloading, accessing or using any particular TI Resource in any way, you (individually or, if you are acting on behalf of a company, your company) agree to use it solely for this purpose and subject to the terms of this Notice.

TI's provision of TI Resources does not expand or otherwise alter TI's applicable published warranties or warranty disclaimers for TI products, and no additional obligations or liabilities arise from TI providing such TI Resources. TI reserves the right to make corrections, enhancements, improvements and other changes to its TI Resources.

You understand and agree that you remain responsible for using your independent analysis, evaluation and judgment in designing your applications and that you have full and exclusive responsibility to assure the safety of your applications and compliance of your applications (and of all TI products used in or for your applications) with all applicable regulations, laws and other applicable requirements. You represent that, with respect to your applications, you have all the necessary expertise to create and implement safeguards that (1) anticipate dangerous consequences of failures, (2) monitor failures and their consequences, and (3) lessen the likelihood of failures that might cause harm and take appropriate actions. You agree that prior to using or distributing any applications that include TI products, you will thoroughly test such applications and the functionality of such TI products as used in such applications. TI has not conducted any testing other than that specifically described in the published documentation for a particular TI Resource.

You are authorized to use, copy and modify any individual TI Resource only in connection with the development of applications that include the TI product(s) identified in such TI Resource. NO OTHER LICENSE, EXPRESS OR IMPLIED, BY ESTOPPEL OR OTHERWISE TO ANY OTHER TI INTELLECTUAL PROPERTY RIGHT, AND NO LICENSE TO ANY TECHNOLOGY OR INTELLECTUAL PROPERTY RIGHT OF TI OR ANY THIRD PARTY IS GRANTED HEREIN, including but not limited to any patent right, copyright, mask work right, or other intellectual property right relating to any combination, machine, or process in which TI products or services are used. Information regarding or referencing third-party products or services does not constitute a license to use such products or services, or a warranty or endorsement thereof. Use of TI Resources may require a license from a third party under the patents or other intellectual property of the third party, or a license from TI under the patents or other intellectual property of TI.

TI RESOURCES ARE PROVIDED "AS IS" AND WITH ALL FAULTS. TI DISCLAIMS ALL OTHER WARRANTIES OR REPRESENTATIONS, EXPRESS OR IMPLIED, REGARDING TI RESOURCES OR USE THEREOF, INCLUDING BUT NOT LIMITED TO ACCURACY OR COMPLETENESS, TITLE, ANY EPIDEMIC FAILURE WARRANTY AND ANY IMPLIED WARRANTIES OF MERCHANTABILITY, FITNESS FOR A PARTICULAR PURPOSE, AND NON-INFRINGEMENT OF ANY THIRD PARTY INTELLECTUAL PROPERTY RIGHTS.

TI SHALL NOT BE LIABLE FOR AND SHALL NOT DEFEND OR INDEMNIFY YOU AGAINST ANY CLAIM, INCLUDING BUT NOT LIMITED TO ANY INFRINGEMENT CLAIM THAT RELATES TO OR IS BASED ON ANY COMBINATION OF PRODUCTS EVEN IF DESCRIBED IN TI RESOURCES OR OTHERWISE. IN NO EVENT SHALL TI BE LIABLE FOR ANY ACTUAL, DIRECT, SPECIAL, COLLATERAL, INDIRECT, PUNITIVE, INCIDENTAL, CONSEQUENTIAL OR EXEMPLARY DAMAGES IN CONNECTION WITH OR ARISING OUT OF TI RESOURCES OR USE THEREOF, AND REGARDLESS OF WHETHER TI HAS BEEN ADVISED OF THE POSSIBILITY OF SUCH DAMAGES.

You agree to fully indemnify TI and its representatives against any damages, costs, losses, and/or liabilities arising out of your non-compliance with the terms and provisions of this Notice.

This Notice applies to TI Resources. Additional terms apply to the use and purchase of certain types of materials, TI products and services. These include; without limitation, TI's standard terms for semiconductor products (<http://www.ti.com/sc/docs/stdterms.htm>), [evaluation modules](#), and [samples](http://www.ti.com/sc/docs/sampterm.htm) (<http://www.ti.com/sc/docs/sampterm.htm>).

Mailing Address: Texas Instruments, Post Office Box 655303, Dallas, Texas 75265  
Copyright © 2018, Texas Instruments Incorporated