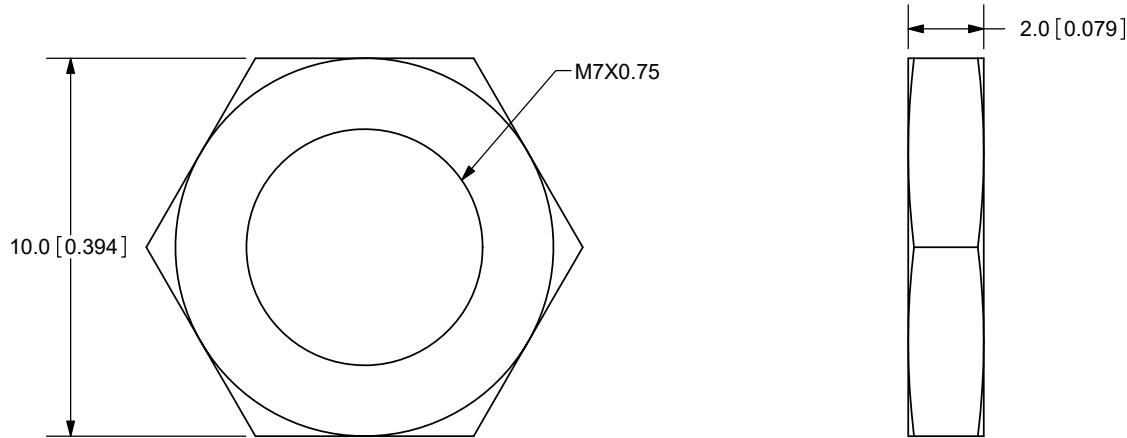


REV.	DESCRIPTION	DATE
A	NEW DRAWING	11/11/2009
B	LOGO, BRAND UPDATE	09/22/2022



TOLERANCE:  
±0.1mm UNLESS OTHERWISE  
SPECIFIED



  
**CUI DEVICES**  
 6405 SW Rosewood St, Suite C  
 Lake Oswego, OR 97035  
 Phone: 877-323-3576  
 Website: [www.cuidevices.com](http://www.cuidevices.com)

TITLE: M7X0.75 NUT		REV: <b>B</b>
PART NO. SJ5-43502PM-nut	UNITS: <b>MM [INCHES]</b>	
DRAWN BY: RDS	APPROVED BY:	SCALE: 5:1

PC FILE NAME:  
SJ5-43502PM-nut

COPYRIGHT 2022 BY CUI DEVICES

	MATERIAL	PLATING	COLOR
BODY	Steel	Nickel	Silver