



Series 805 "Mighty Mouse" Triple-Start

Series 805 Receptacles



**Series 805 Triple-Start
Jam Nut Connector**

Three Shell Mounting Options:
Jam nut with o-ring for rear panel mounting, square flange for front or rear panel mounting, or in-line receptacles for free-hanging cables.

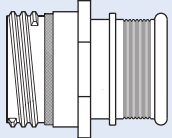
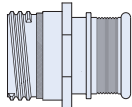
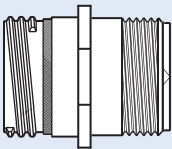
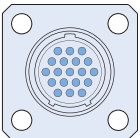
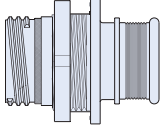
Two Shell Styles: Choose *integral band platform* for direct attachment of a cable shield. Install a boot, or overmold a boot over the band platform.

An *accessory thread* is available for attaching strain reliefs and backshells.

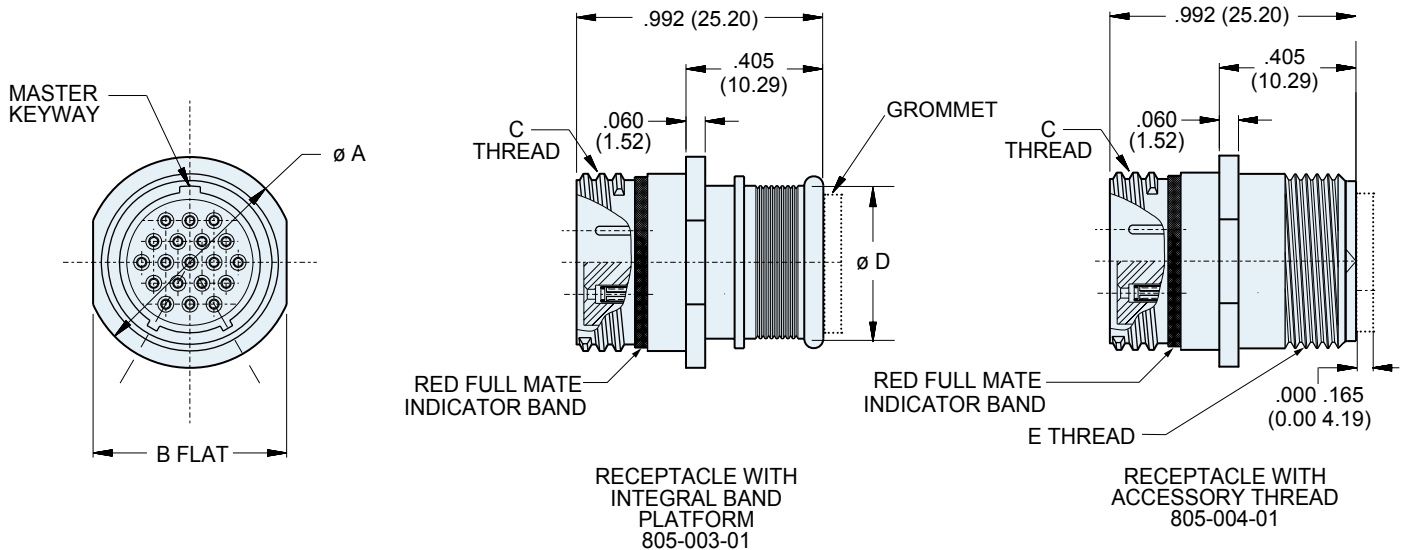
Gold-Plated Crimp Contacts are held in place with beryllium copper retention clips. Contacts are removable.

HOW TO ORDER

Sample Part Number

| 805-004 | -02 | NF | 9-10 | P | A |
|---|---|---|---|--|--|
| Series | Shell Style | Shell Material / Finish | Shell Size- Insert Arrangement | Contact Type | Shell Key Position |
|  <p>805-003 Receptacle with Banding Platform</p> |  <p>-01 In-Line</p> | <p>C Aluminum / Black Anodize</p> <p>M Aluminum / Electroless Nickel</p> <p>NF Aluminum / Cadmium with Olive Drab Chromate</p> <p>ZN Aluminum / Zinc-Nickel with Olive Drab Chromate</p> <p>ZNU Aluminum / Zinc-Nickel with Black Chromate</p> <p>Z1 Stainless Steel / Passivated</p> | <p>8-1 1 #16 Contact 8-4 4 #23 Contacts 8-7 7 #23 Contacts 9-1 1 #12 Contact 9-10 10 #23 Contacts 10-13 13 #23 Contacts 11-4 4 #16 Contacts 11-19 19 #23 Contacts 12-26 26 #23 Contacts 15-2 2 #12 Contacts 15-37 37 #23 Contacts 18-55 55 #23 Contacts 19-85 85 #23 Contacts</p> <p>Size #23 contacts are supplied with connectors. Other contact sizes are ordered separately.</p> | <p>Standard #23 contacts accept #22 through #28 AWG wire. Use the following contact codes to specify these contacts:</p> <p>P Pin</p> <p>S Socket</p> <p>Special contacts for #26 to #30 AWG are also available. Use the following contact codes to specify these contacts:</p> <p>G Pin</p> <p>H Socket</p> | <p>A Position A (Normal)</p> <p>B Position B</p> <p>C Position C</p> <p>D Position D</p> |
|  <p>805-004 Receptacle with Accessory Thread</p> |  <p>-02 Square Flange</p>  <p>-07 Jam Nut for Rear Panel Mounting</p> | | | | |

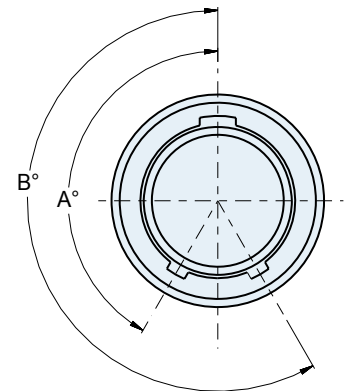
Series 805 In-Line Receptacles



DIMENSIONS

| Shell Size | Ø A | | B | | C Threads | Ø D | | E Threads Accessory |
|------------|-------|-------|-------|-------|----------------------|------|-------|---------------------|
| | In. | mm. | In. | mm. | | In. | mm. | |
| 8 | .540 | 13.72 | .510 | 12.95 | .5000-.1P-.3L-TS-2A | .317 | 8.05 | .3750-32 UNEF-2A |
| 9 | .605 | 15.37 | .575 | 14.61 | .5625-.1P-.3L-TS-2A | .397 | 10.08 | .4375-28 UNEF-2A |
| 10 | .668 | 16.96 | .638 | 16.21 | .6250-.1P-.3L-TS-2A | .473 | 12.01 | .5000-28 UNEF-2A |
| 11 | .730 | 18.54 | .700 | 17.78 | .6875-.1P-.3L-TS-2A | .519 | 13.18 | .5625-24 UNEF-2A |
| 12 | .793 | 20.14 | .763 | 19.38 | .7500-.1P-.3L-TS-2A | .585 | 14.86 | .6250-24 UNEF-2A |
| 15 | .980 | 24.89 | .950 | 24.13 | .9375-.1P-.3L-TS-2A | .687 | 17.45 | .7500-20 UNEF-2A |
| 18 | 1.165 | 29.59 | 1.135 | 28.83 | 1.1250-.1P-.3L-TS-2A | .884 | 22.45 | .9375-20 UNEF-2A |
| 19 | 1.235 | 31.37 | 1.205 | 30.61 | 1.1875-.1P-.3L-TS-2A | .884 | 22.45 | .9375-20 UNEF-2A |

SERIES 805 KEY POSITIONS



Key Rotation

| Key Position | Key Rotation | |
|--------------|--------------|------|
| | A | B |
| Normal (A) | 150° | 210° |
| B | 75° | 210° |
| C | 95° | 230° |
| D | 140° | 275° |

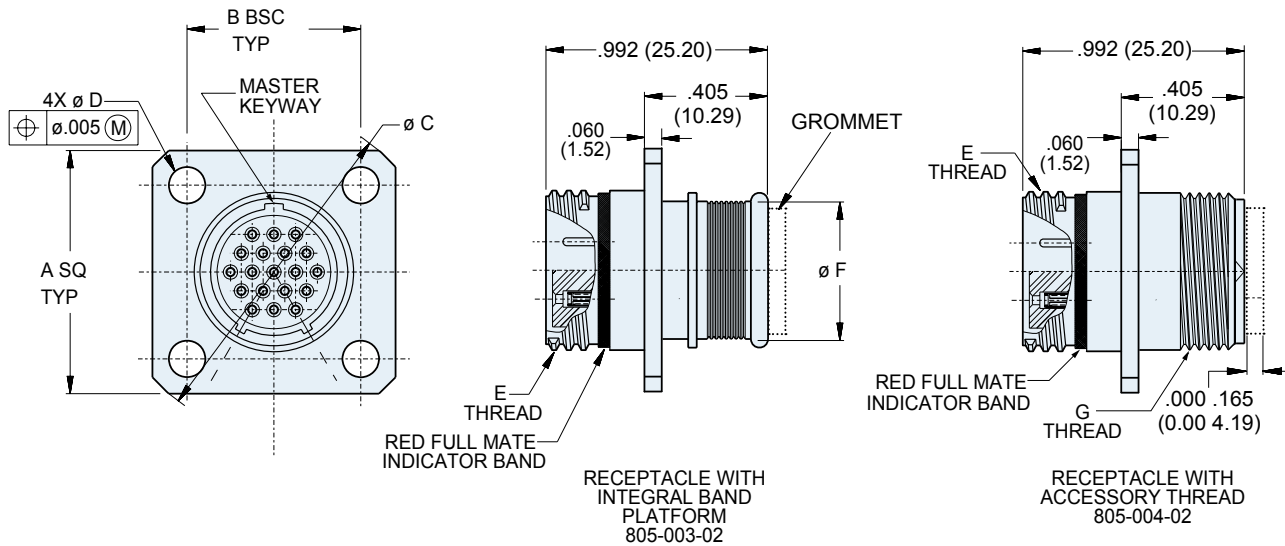
PERFORMANCE SPECIFICATIONS

| | |
|-----------------------|---|
| DWV | 500 VAC Sea level |
| Insulation Resistance | 5000 Megohms Minimum |
| Contact Resistance | 8 Milliohms Maximum |
| Operating Temperature | -55° C. to +150° C. |
| Immersion | MIL-STD-810 Method 512. One Meter for One Hour. |
| EMI | 60 dB Minimum from 100 MHz. to 10 GHz. |

MATERIALS AND FINISHES

| | |
|-----------------------|---|
| Connector Shell | Aluminum or Stainless Steel |
| Insulator | Liquid Crystal Polymer (LCP) |
| Seals | Fluorosilicone Rubber, Blue |
| Pin Contact | Beryllium Copper, Gold over Nickel Plating |
| Socket Contact | Beryllium Copper, Gold over Nickel Plating, with SST Hood |
| Contact Retainer Clip | Beryllium Copper, Unplated |

Series 805 Square Flange Receptacles



DIMENSIONS

| Shell Size | A | | B | | øC | | øD | | E Threads | øF | | G Threads Accessory |
|------------|-------|-------|-------|-------|-------|-------|------------|-----------|---------------------|------|-------|---------------------|
| | In. | mm. | In. | mm. | In. | mm. | In. ± .003 | mm. ± .08 | | In. | mm. | |
| 8 | .850 | 21.59 | .660 | 16.76 | 1.150 | 29.21 | .094 | 2.39 | .5000-1P-.3L-TS-2A | .317 | 8.05 | .3750-32 UNEF-2A |
| 9 | .913 | 23.19 | .723 | 18.36 | 1.230 | 31.24 | .094 | 2.39 | .5625-1P-.3L-TS-2A | .397 | 10.08 | .4375-28 UNEF-2A |
| 10 | .975 | 24.77 | .785 | 19.94 | 1.330 | 33.78 | .094 | 2.39 | .6250-1P-.3L-TS-2A | .473 | 12.01 | .5000-28 UNEF-2A |
| 11 | 1.039 | 26.39 | .848 | 21.54 | 1.410 | 35.81 | .094 | 2.39 | .6875-1P-.3L-TS-2A | .519 | 13.18 | .5625-24 UNEF-2A |
| 12 | 1.099 | 27.91 | .909 | 23.09 | 1.500 | 38.10 | .094 | 2.39 | .7500-1P-.3L-TS-2A | .585 | 14.86 | .6250-24 UNEF-2A |
| 15 | 1.288 | 32.74 | 1.058 | 26.87 | 1.750 | 44.45 | .128 | 3.25 | .9375-1P-.3L-TS-2A | .687 | 17.45 | .7500-20 UNEF-2A |
| 18 | 1.475 | 37.47 | 1.255 | 31.88 | 2.000 | 50.80 | .128 | 3.25 | 1.1250-1P-.3L-TS-2A | .884 | 22.45 | .9375-20 UNEF-2A |
| 19 | 1.537 | 71.06 | 1.327 | 33.71 | 2.094 | 53.19 | .128 | 3.25 | 1.1875-1P-.3L-TS-2A | .884 | 22.45 | .9375-20 UNEF-2A |

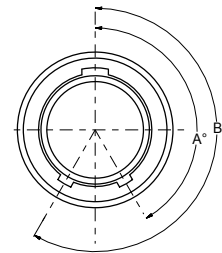
PERFORMANCE SPECIFICATIONS

| | |
|-----------------------|---|
| DWV | 500 VAC Sea level |
| Insulation Resistance | 5000 Megohms Minimum |
| Contact Resistance | 8 Milliohms Maximum |
| Operating Temperature | -55° C. to +150° C. |
| Immersion | MIL-STD-810 Method 512. One Meter for One Hour. |
| EMI | 60 dB Minimum from 100 MHz. to 10 GHz. |

MATERIALS AND FINISHES

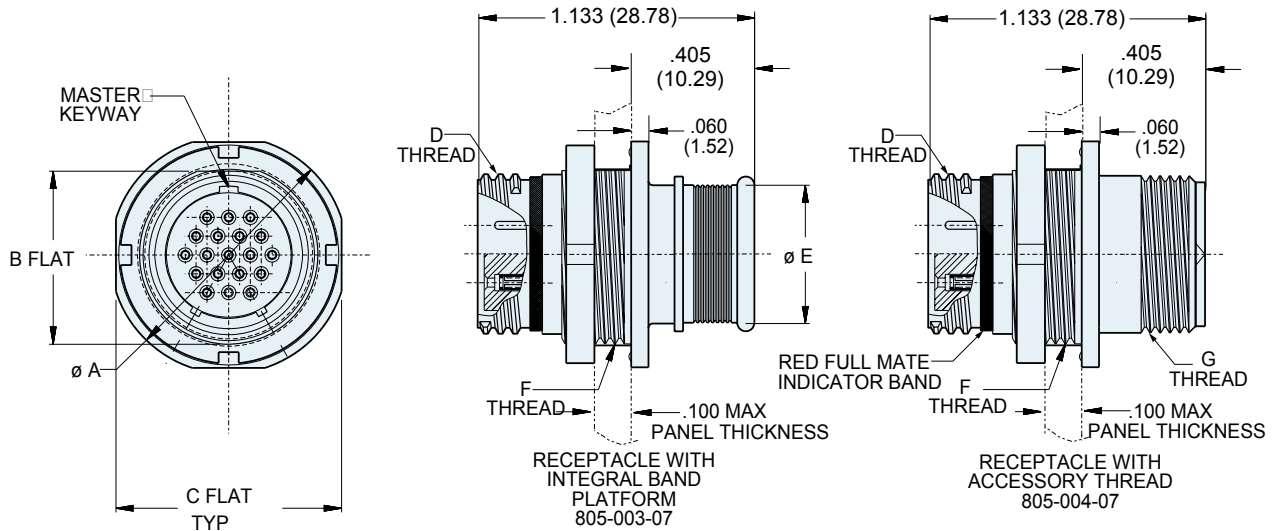
| | |
|-----------------------|---|
| Connector Shell | Aluminum or Stainless Steel |
| Insulator | Liquid Crystal Polymer (LCP) |
| Seals | Fluorosilicone Rubber, Blue |
| Pin Contact | Beryllium Copper, Gold over Nickel Plating |
| Socket Contact | Beryllium Copper, Gold over Nickel Plating, with SST Hood |
| Contact Retainer Clip | Beryllium Copper, Unplated |

SERIES 805 KEY POSITIONS



| Key Position | Key Rotation | |
|--------------|--------------|------|
| | A | B |
| Normal (A) | 150° | 210° |
| B | 75° | 210° |
| C | 95° | 230° |
| D | 140° | 275° |

Series 805 Jam Nut Receptacles



DIMENSIONS

| Shell Size | Ø A | | B | | C | | D Threads | Ø E | | F Threads | G Threads Accessory |
|------------|-------|-------|-------|-------|-------|-------|----------------------|------|-------|------------------|---------------------|
| | In. | mm. | In. | mm. | In. | mm. | | In. | mm. | | |
| 8 | .760 | 19.30 | .535 | 13.59 | .730 | 18.54 | .5000-.1P-.3L-TS-2A | .317 | 8.05 | .5625-28 UNEF-2A | .3750-32 UNEF-2A |
| 9 | .880 | 22.35 | .661 | 16.79 | .850 | 21.59 | .5625-.1P-.3L-TS-2A | .397 | 10.08 | .6875-28 UN-2A | .4375-28 UNEF-2A |
| 10 | .880 | 22.35 | .661 | 16.79 | .850 | 21.59 | .6250-.1P-.3L-TS-2A | .473 | 12.01 | .6875-28 UN-2A | .5000-28 UNEF-2A |
| 11 | .955 | 24.26 | .721 | 18.31 | .925 | 23.50 | .6875-.1P-.3L-TS-2A | .519 | 13.18 | .7500-28 UN-2A | .5625-24 UNEF-2A |
| 12 | 1.060 | 26.92 | .784 | 19.91 | 1.035 | 26.29 | .7500-.1P-.3L-TS-2A | .585 | 14.86 | .8125-28 UN-2A | .6250-24 UNEF-2A |
| 15 | 1.203 | 30.56 | .970 | 24.64 | 1.173 | 29.79 | .9375-.1P-.3L-TS-2A | .687 | 17.45 | 1.0000-28 UN-2A | .7500-20 UNEF-2A |
| 18 | 1.389 | 35.28 | 1.147 | 29.13 | 1.359 | 34.52 | 1.1250-.1P-.3L-TS-2A | .884 | 22.45 | 1.1875-28 UN-2A | .9375-20 UNEF-2A |
| 19 | 1.450 | 36.83 | 1.221 | 31.01 | 1.420 | 36.07 | 1.1875-.1P-.3L-TS-2A | .884 | 22.45 | 1.2500-28 UN-2A | .9375-20 UNEF-2A |

PANEL CUTOUTS

| Shell Size | A | | Ø B | |
|------------|------------|------------|-------------|-------------|
| | In. ± .002 | mm. ± 0.05 | In. | mm. |
| 8 | .545 | 13.84 | .575/.571 | 14.61/14.50 |
| 9 | .671 | 17.04 | .700/.696 | 17.78/17.68 |
| 10 | .671 | 17.04 | .700/.696 | 17.78/17.68 |
| 11 | .731 | 18.57 | .762/.758 | 19.35/19.25 |
| 12 | .794 | 20.17 | .825/.821 | 20.96/20.85 |
| 15 | .980 | 24.89 | 1.012/1.008 | 25.70/25.60 |
| 18 | 1.157 | 29.39 | 1.200/1.196 | 30.48/30.38 |
| 19 | 1.231 | 31.27 | 1.262/1.258 | 32.05/31.95 |

SERIES 805 KEY POSITIONS

| Key Position | Key Rotation | |
|--------------|--------------|------|
| | A | B |
| Normal (A) | 150° | 210° |
| B | 75° | 210° |
| C | 95° | 230° |
| D | 140° | 275° |