

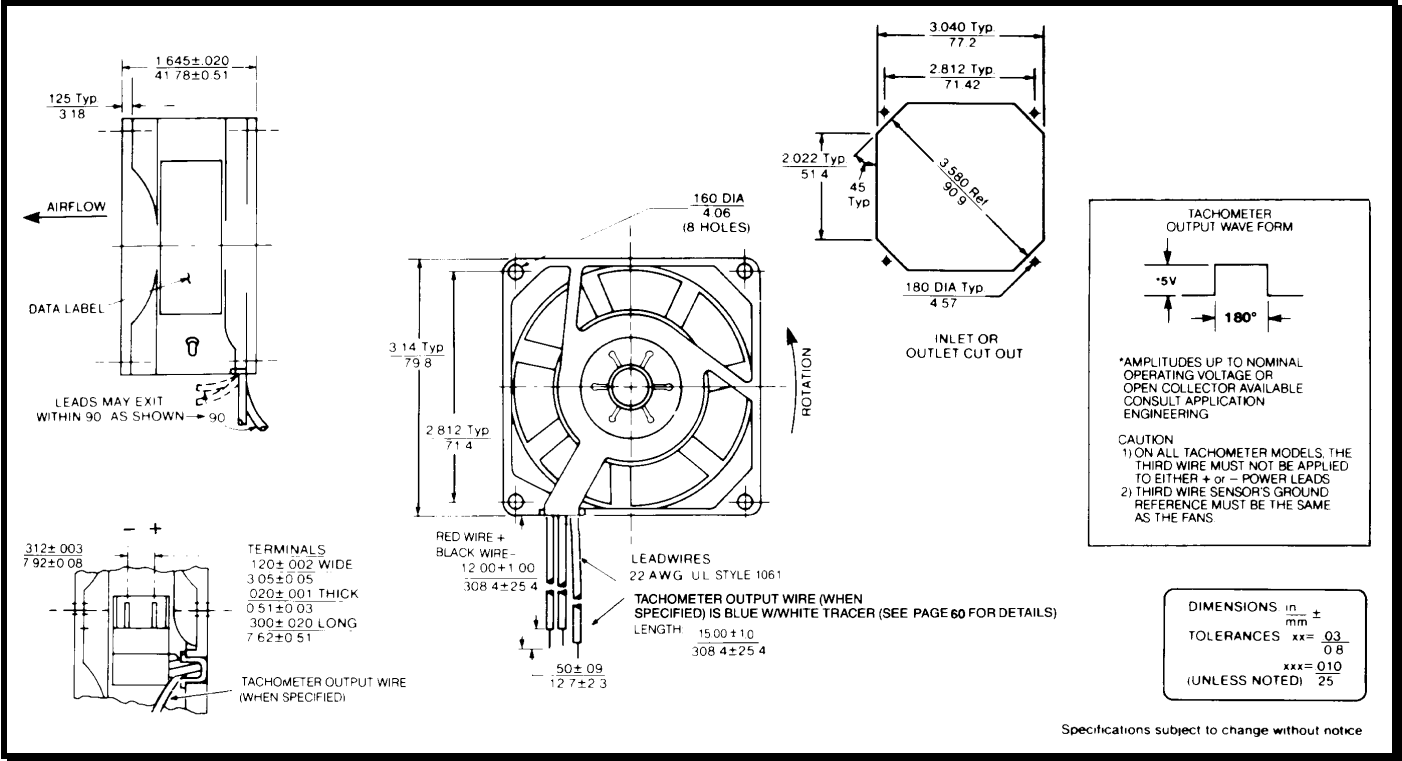
SPECIFICATIONS



Model Number: SD48B5
Part Number: 19030769A

December 16, 2004

Mechanical Drawing:



Motor:

Nominal Voltage = 48 vdc
 Operating Voltage Range = 24 – 56 vdc
 Nominal Running Current = 0.065 amps
 Locked Rotor Current = 0.250 amps
 Running Power = 3.1 watts
 Average Speed = 3500 RPM
 Bearings = Ball
 Airflow = 35 CFM
 Acoustic = 47.6 dBA

Construction:

Venturi: Single Piece Die-Cast Zinc Alloy, Black
 Propeller: Plastic, Black, UL 94V-0

Agency Approvals:

UL, CE

Life Expectancy:

This fan is designed for continuous duty life of 83,000 hours at 40°C.

Additional Features:

Brushless DC Motor
 Automatic Restart Capability
 Locked Rotor Protection
 Polarity Protected
 Operating Temperature: -10°C to 70°C
 Storage Temperature: -40°C to 85°C

Tachometer:

Output: 5 Vdc TTL Compatible
 I_c: 5 mA Typical
 Isolated: No
 Pulses per Revolution: 1

Termination:

12" Length, AWG 22, UL 1061
 Red = Power (+)
 Black = Return (-)
 Blue/White = Tachometer (Output)