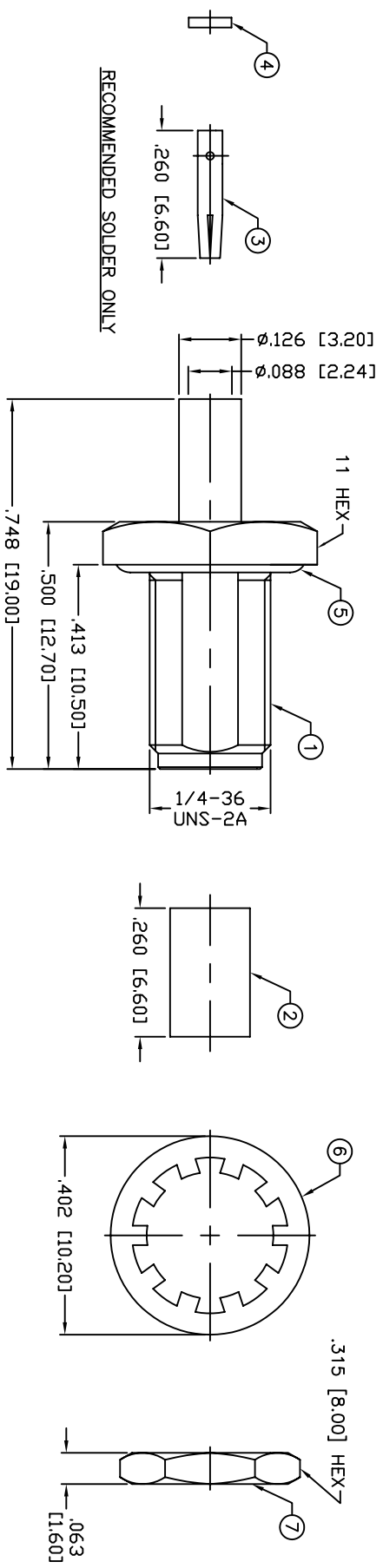


THIS DRAWING CONTAINS INFORMATION PROPRIETARY TO RF INDUSTRIES.
 ANY UNAUTHORIZED USE OF THIS DRAWING IS EXPRESSLY PROHIBITED
 WITHOUT WRITTEN PERMISSION FROM RF INDUSTRIES.
 ANY VIOLATION IS PUNISHABLE UNDER U.S. COPYRIGHT LAWS.

PART NO.		RSA-3560-1-047	
REV	DESCRIPTION	DWN	DATE
-	ENGINEERING RELEASE	CZS	6/23/98
			APPROVED
			JDMc



RECOMMENDED SOLDER ONLY

MAXIMUM PANEL THICKNESS: .095"



RECOMMENDED STRIPPING DIMENSION



SPECIFICATIONS:

IMPEDANCE: 50 Ohms
 FREQUENCY RANGE: 0-18 GHz
 INSERTION LOSS(DB): 0.03 x f(GHZ)
 VSWR: 1.3 MAX.
 WORKING VOLTAGE: 500 V rms Max. @ Sea Level
 INSULATION RESISTANCE: 5k M Ohms min.
 TEMPERATURE RANGE: -65°C TO 85°C
 FOR .047 SEMI RIGID, M17/151

UNLESS OTHERWISE SPECIFIED:

1. REMOVE ALL BURRS
2. BREAK ALL CORNERS & EDGES .005 R. MAX.
3. CHAMFER 1ST & LAST THREADS 45°
4. SURFACE ROUGHNESS 63 FINISH MIL-STD-10
5. DIAMETERS ON COMMON CENTERS TO BE CONCENTRIC WITHIN .002 T.I.R.
6. ALL DIMENSIONS ARE AFTER PLATING.

1	BODY	1	BRASS	GOLD, 3μ"	008974	DRAWN C. ZUNIGA	07/23/08
2	INSULATOR	1	PTFE	---		CHECKED	
3	CONTACT	1	BcCu	GOLD, 50μ"		ORJ DRAWN C. ZUNIGA	07/23/08
4	INSULATOR	1	PTFE	---			
5	GASKET	1	SILICONE	---			
6	LOCK WASHER	1	BRASS	GOLD, 3μ"			
7	HEX NUT	1	BRASS	GOLD, 3μ"			
8	SOLDER INSERT	1	BRASS	GOLD, 3μ"			
9							
10							
11							
12							
13							
14							
#	DESCRIPTION	QTY	MATERIAL	FINISH	APPROVALS	DATE	

SMA JACK, BULKHEAD

RF connectors
 DIVISION OF RF INDUSTRIES, LTD.
 7610 MIRAMAR RD
 SAN DIEGO, CA 92126
 (858) 549-6340
 (858) 549-6345 FAX

SIZE	CABLE GROUP	DWG NO.	REV
A	SRO	RSA-3560-1-047	-
SCALE:	NTS	CAD FILE	OUTLINE
SHEET	1	OF	1