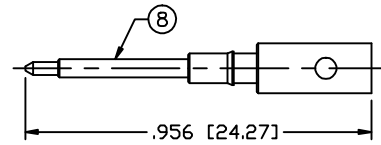
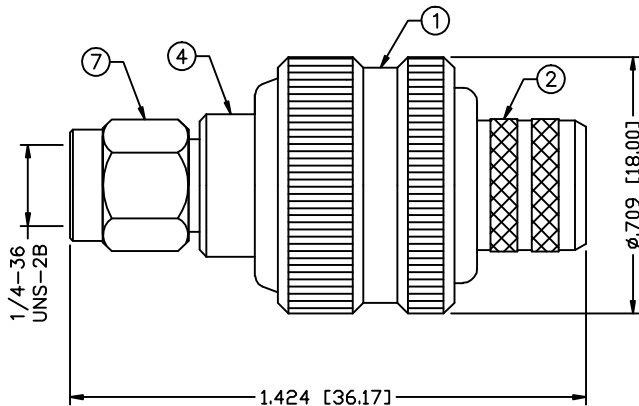


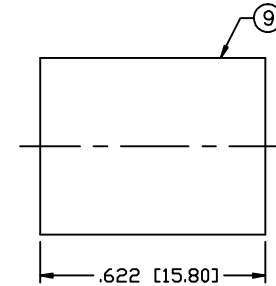
THIS DRAWING CONTAINS INFORMATION PROPRIETARY TO RF INDUSTRIES,
 ANY UNAUTHORIZED USE OF THIS DRAWING IS EXPRESSLY PROHIBITED
 WITHOUT WRITTEN PERMISSION FROM RF INDUSTRIES.
 ANY VIOLATION IS PUNISHABLE UNDER U.S. COPYRIGHT LAWS.

ALL DIMENSIONS ARE REFERENCE ONLY

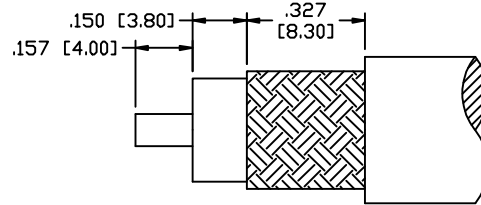
PART NO.		RSA-3000-12		
REV	DESCRIPTION	DWN	DATE	APPROVED
-	ENGINEERING RELEASE	JDM	5/3/11	JDMc



RECOMMENDED CRIMP DIE SIZE: .118"/.128"



RECOMMENDED CRIMP DIE SIZE: .429"



RECOMMENDED STRIPPING DIMENSIONS

SPECIFICATIONS:

IMPEDANCE: 50 Ohms
 FREQUENCY RANGE: 0-12.4 GHz
 INSERTION LOSS(dB): $0.03 \times \sqrt{f(\text{GHz})}$
 VSWR: 1.3 MAX.
 WORKING VOLTAGE: 500 V rms Max. @ Sea Level
 INSULATION RESISTANCE: 5k M Ohms min.
 TEMPERATURE RANGE: -65°C TO 85°C
 FOR LMR-400-LLPL

1	BODY	1	BRASS	NICKEL, 100μ"	008974	DRAWN JDM 5/3/11
2	FERRULE STUD	1	BRASS	NICKEL, 100μ"		
3	INSULATOR	1	PTFE	----		
4	SMA BODY	1	BRASS	NICKEL, 100μ"		
5	RETAINING RING	1	Be. Cu.	----		
6	GASKET	1	SILICONE	----		
7	SHELL	1	BRASS	NICKEL, 100μ"		
8	PIN 009-30M-022-BG	1	BRASS	GOLD, 50μ"		
9	FERRULE	1	BRASS	NICKEL, 100μ"		
10					CHECKED	
11						
12						
13					ORJ DRAWN	5/3/11
14					JDM	
#	DESCRIPTION	QTY	MATERIAL	FINISH	APPROVALS	DATE

UNLESS OTHERWISE SPECIFIED:
 1. REMOVE ALL BURRS
 2. BREAK ALL CORNERS & EDGES .005 R. MAX.
 3. CHAMFER 1ST & LAST THREADS 45°
 4. SURFACE ROUGHNESS 63 FINISH MIL-STD-10
 5. DIAMETERS ON COMMON CENTERS TO BE CONCENTRIC WITHIN .002 T.I.R.
 6. ALL DIMENSIONS ARE AFTER PLATING.

DIMENSIONS ARE IN INCHES AND [MILLIMETERS]
 UNLESS OTHERWISE NOTED TOLERANCES ARE:

DECIMALS	DIAMETER
.xxx±.003 [.08]	.xxx±.001 [.03]
.xx±.005 [.13]	.xx±.003 [.08]



7610 MIRAMAR RD
 SAN DIEGO, CA 92126
 (858) 549-6340
 (858) 549-6345 FAX

SMA PLUG, CRIMP

SIZE A	CABLE GROUP 12	DWG NO. RSA-3000-12	REV -
SCALE: NTS		CAD FILE OUTLINE	SHEET 1 OF 1