

## 0.8% ACCURACY 0.7V OUTPUT 400mA LDO REGULATOR

NO.EA-281-170126

### OUTLINE

The RP116Z Series are low voltage 400mA voltage regulator. These ICs had been further improved of low-voltage capability compared with previous low-voltage product.

The input voltage is as low as Min. 1.0V and the output voltage can be set from 0.7V. The output voltage accuracy has been improved to  $\pm 0.8\%$  and due to a built-in transistor with low on-resistance of  $0.55\Omega$  (at  $V_{OUT}=1.5V$ ).

Each of these ICs consists of a voltage reference unit, an error amplifier, a resistor-net for voltage setting, and a current limit circuits for over-current for the destruction prevention by the over-current.

The CE pin can switch the regulator to standby mode.

The RP116Z is available in the small and thin WLCSP-4-P7 package (0.69mm square, 0.36mm thickness and 0.4mm pitch), consequently providing a high density mounting.

### FEATURES

- Supply Current ..... Typ.  $48\mu A$
- Standby Current ..... Typ.  $0.1\mu A$
- Ripple Rejection ..... Typ. 60dB ( $f=10kHz$ )
- Input Voltage Range ..... 1.0V to 3.6V
- Output Voltage Range ..... 0.7V to 1.8V (0.1V steps)  
(For other voltages, please refer to MARK INFORMATIONS.)
- Output Voltage Accuracy .....  $\pm 0.8\%$  ( $V_{OUT} \geq 1.0V$ ,  $T_{opt}=25^\circ C$ )
- Temperature-Drift Coefficient of Output Voltage ... Typ.  $\pm 60ppm/^\circ C$
- Dropout Voltage ..... Typ. 0.22V ( $V_{OUT}=1.5V$ )
- Line Regulation ..... Typ. 0.10%/V
- Package ..... WLCSP-4-P7
- Built-in Fold Back Protection Circuit ..... Typ. 110mA (Current at short mode)
- Built-in Constant Slope Circuit
- Ceramic capacitors are recommended to be used with this IC .....  $1.0\mu F$  or more

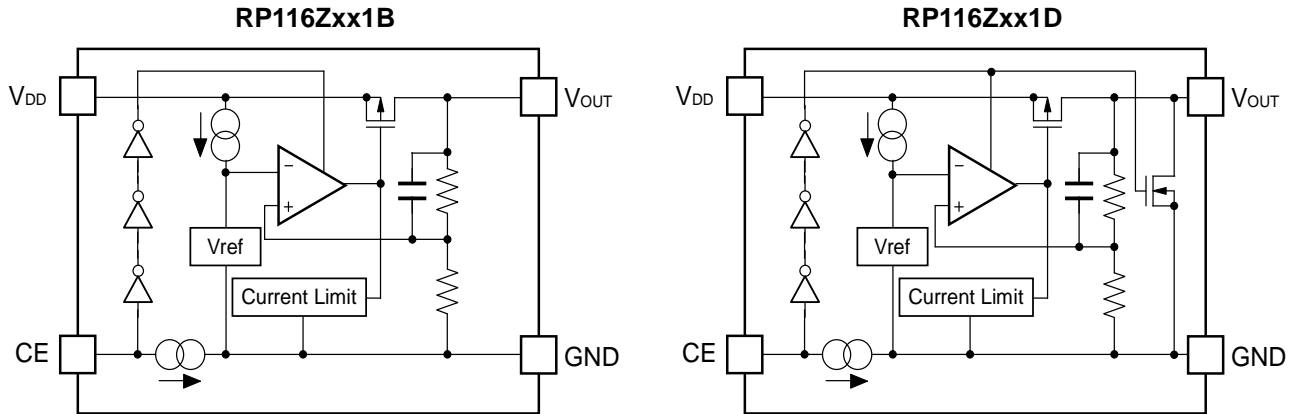
### APPLICATIONS

- Power source for portable communication equipment.
- Power source for electrical appliances such as cameras, VCRs and camcorders.
- Power source for battery-powered equipment.

# RP116Z

NO.EA-281-170126

## BLOCK DIAGRAMS



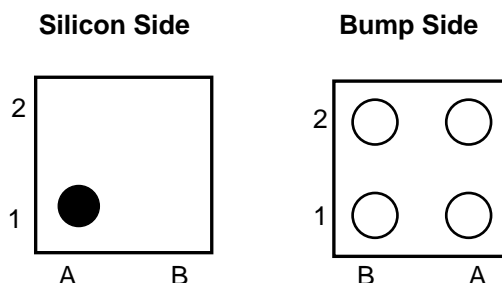
## SELECTION GUIDE

The output voltage, auto discharge function for the ICs can be selected at the user's request.

Product Name	Package	Quantity per Reel	Pb Free	Halogen Free
RP116Zxx1*-TR-F	WLCSP-4-P7	5,000 pcs	Yes	Yes
<p>xx: Setting Output Voltage (<math>V_{OUT}</math>) :</p> <p>Fixed Type: 07 to 18 Stepwise setting with 0.1V increment in the range from 0.7V to 1.8V</p> <p>Exception: 1.25V=RP116Z121x5-TR-F</p> <p>1.85V=RP116Z181x5-TR-F</p> <p>* : Designation of Active Type:</p> <p>B : "H" Active, without auto discharge function at off state.</p> <p>D : "H" Active, with auto discharge function at off state.</p>				

## PIN CONFIGURATIONS

• WLCSP-4-P7



## PIN DESCRIPTIONS

• WLCSP-4-P7

Pin No	Symbol	Pin Description
A1	V <sub>DD</sub>	Input Pin
A2	V <sub>OUT</sub>	Output Pin
B1	CE	Chip Enable Pin ("H" Active)
B2	GND	Ground Pin

## ABSOLUTE MAXIMUM RATINGS

Symbol	Item	Rating	Unit
V <sub>IN</sub>	Input Voltage	4.0	V
V <sub>CE</sub>	Input Voltage (CE Pin)	-0.3 to 4.0	V
V <sub>OUT</sub>	Output Voltage	-0.3 to V <sub>IN</sub> +0.3	V
I <sub>OUT</sub>	Output Current	500	mA
P <sub>D</sub>	Power Dissipation (WLCSP-4-P7)*	278	mW
T <sub>opt</sub>	Operating Temperature Range	-40 to 85	°C
T <sub>stg</sub>	Storage Temperature Range	-55 to 125	°C

\*) For Power Dissipation, please refer to PACKAGE INFORMATION.

### ABSOLUTE MAXIMUM RATINGS

Electronic and mechanical stress momentarily exceeded absolute maximum ratings may cause the permanent damages and may degrade the life time and safety for both device and system using the device in the field. The functional operation at or over these absolute maximum ratings is not assured.

**RP116Z**

NO.EA-281-170126

**ELECTRICAL CHARACTERISTICS**• **RP116Z** $V_{IN}=\text{Set } V_{OUT}+1V, I_{OUT}=1mA, C_{IN}=C_{OUT}=1\mu F$ , unless otherwise noted.The specifications surrounded by  $\square$  are guaranteed by Design Engineering at  $-40^{\circ}\text{C} \leq T_a \leq 85^{\circ}\text{C}$ .

(Ta=25°C)

Symbol	Item	Conditions	Min.	Typ.	Max.	Unit	
$V_{OUT}$	Output Voltage	Ta=25°C	$V_{OUT} \geq 1.0V$	x 0.992		x 1.008	V
			$V_{OUT} < 1.0V$	-8		+8	mV
		$-40^{\circ}\text{C} \leq T_a \leq 85^{\circ}\text{C}$	$V_{OUT} \geq 1.0V$	$\square$ 0.983		$\square$ 1.017	V
			$V_{OUT} < 1.0V$	$\square$ -17		$\square$ +17	mV
$I_{OUT}$	Output Current		$\square$ 400			mA	
$\frac{\Delta V_{OUT}}{\Delta I_{OUT}}$	Load Regulation	$1mA \leq I_{OUT} \leq 400mA$		25	$\square$ 45	mV	
$V_{DIF}$	Dropout Voltage	Please see the table on next page					
$I_{SS}$	Supply Current	$I_{OUT}=0mA$		48	75	$\mu A$	
Istandby	Supply Current (Standby)	$V_{CE}=0V$		0.1	8.0	$\mu A$	
$\frac{\Delta V_{OUT}}{\Delta V_{IN}}$	Line Regulation	Set $V_{OUT}+0.5V \leq V_{IN} \leq 3.6V$ In case Set $V_{OUT}<0.8V$ , $1.3V \leq V_{IN} \leq 3.6V$		0.10	$\square$ 0.25	%/V	
RR	Ripple Rejection	f=10kHz Ripple 0.2Vp-p $V_{IN}=\text{Set } V_{OUT}+1.0V$ $I_{OUT}=30mA$		60		dB	
$V_{IN}$	Input Voltage		$\square$ 1.0		$\square$ 3.6	V	
$\frac{\Delta V_{OUT}}{\Delta T_a}$	Output Voltage Temperature Coefficient	$-40^{\circ}\text{C} \leq T_a \leq 85^{\circ}\text{C}$		$\pm 60$		ppm/ °C	
$I_{SC}$	Short Current Limit	$V_{OUT}=0V$		110		mA	
$I_{PD}$	CE Pull-down Current			0.38	$\square$ 0.7	$\mu A$	
$V_{CEH}$	CE Input Voltage "H"		$\square$ 0.9			V	
$V_{CEL}$	CE Input Voltage "L"				$\square$ 0.4	V	
en	Output Noise	BW=10Hz to 100kHz $I_{OUT}=30mA$ $V_{OUT}=0.7V$		30		$\mu V_{rms}$	
$R_{LOW}$	Low Output Nch Tr. ON Resistance (D version Only)	$V_{IN}=2.0V$ $V_{CE}=0V$		43		$\Omega$	

All test items listed under Electrical Characteristics are done under the pulse load condition ( $T_J \approx T_a = 25^{\circ}\text{C}$ ) except Output Noise, Ripple Rejection and Output Voltage Temperature Coefficient items.

The specifications surrounded by   are guaranteed by Design Engineering at  $-40^{\circ}\text{C} \leq T_a \leq 85^{\circ}\text{C}$ .

• Dropout Voltage by Output Voltage

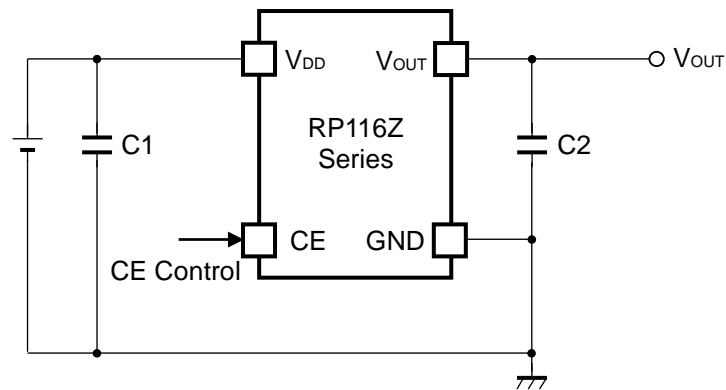
( $T_a=25^{\circ}\text{C}$ )

Output Voltage $V_{\text{OUT}}$ (V)	Dropout Voltage $V_{\text{DIF}}$ (V)		
	Condition	Typ.	Max.
$0.7 \leq V_{\text{OUT}} < 0.8$	$I_{\text{OUT}}=400\text{mA}$	0.48	0.62
$0.8 \leq V_{\text{OUT}} < 0.9$		0.40	0.54
$0.9 \leq V_{\text{OUT}} < 1.0$		0.36	0.47
$1.0 \leq V_{\text{OUT}} < 1.2$		0.32	0.45
$1.2 \leq V_{\text{OUT}} < 1.5$		0.28	0.38
$1.5 \leq V_{\text{OUT}}$		0.22	0.31

**RECOMMENDED OPERATING CONDITIONS (ELECTRICAL CHARACTERISTICS)**

All of electronic equipment should be designed that the mounted semiconductor devices operate within the recommended operating conditions. The semiconductor devices cannot operate normally over the recommended operating conditions, even if when they are used over such conditions by momentary electronic noise or surge. And the semiconductor devices may receive serious damage when they continue to operate over the recommended operating conditions.

## TYPICAL APPLICATION



(External Components)

C1, C2 Ceramic 1.0 $\mu$ F MURATA: GRM155B31A105KE15

## TECHNICAL NOTES

When using these ICs, consider the following points:

### Phase Compensation

In these ICs, phase compensation is made for securing stable operation even if the load current is varied. For this purpose, use a capacitor C2 with 1.0 $\mu$ F or more.

If a tantalum capacitor is used, and its ESR (Equivalent Series Resistance) of C2 is large, the loop oscillation may result. Because of this, select C2 carefully considering its frequency characteristics.

### PCB Layout

Make  $V_{DD}$  and GND lines sufficient. If their impedance is high, noise pickup or unstable operation may result. Connect a capacitor C1 with a capacitance value as much as 1.0 $\mu$ F or more between  $V_{DD}$  and GND pin, and as close as possible to the pins.

Set external components, especially the output capacitor C2, as close as possible to the ICs, and make wiring as short as possible.

### Impedance of Input pin

CE pull-down constant current circuit is built in the RP116Z.

However, if the CE pin is floating and the wiring is long, the malfunction may occur by noise. Therefore, fully evaluation on the actual PCB is necessary.

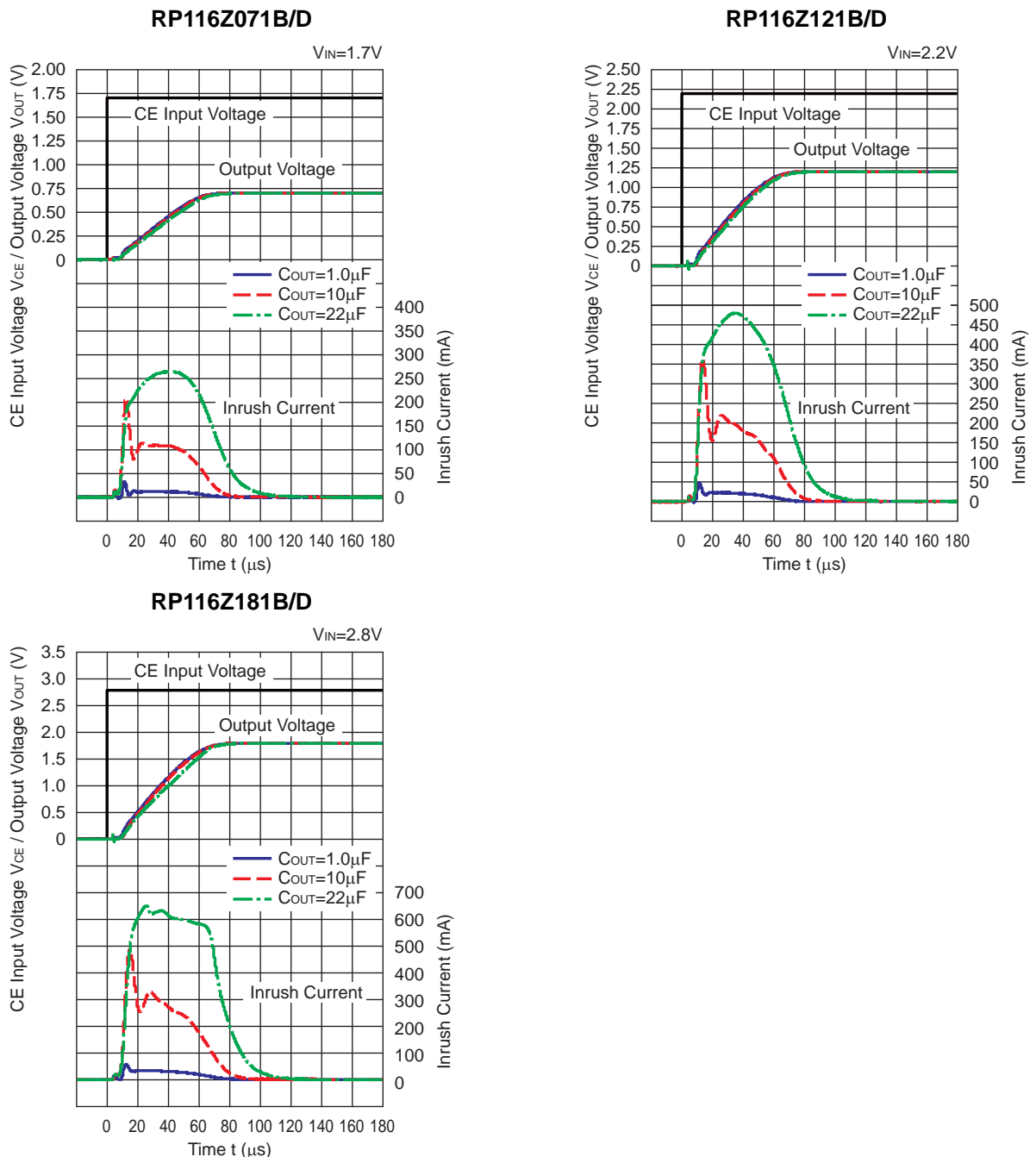
## CONSTANT SLOPE CIRCUITS

The RP116Z Series is equipped with a constant slope circuit as a soft-start circuit, which allows the output voltage to start up gradually when the CE is turned on.

The constant slope circuit minimizes the inrush current at the start-up and also prevents the overshoot of the output voltage.

The capacitor to create the start-up slope is built in the IC that does not require any external components. The start-up time and the start-up slope angle are fixed inside the IC. For more details, please refer to the graph 15 of "Inrush Current Characteristics Example".

**Inrush Current Characteristics Example (C1=1.0μF, Topt=25°C)**



## PACKAGE INFORMATION

### • Power Dissipation (WLCSP-4-P7)

Power Dissipation ( $P_D$ ) depends on conditions of mounting on board. This specification is based on the measurement at the condition below:

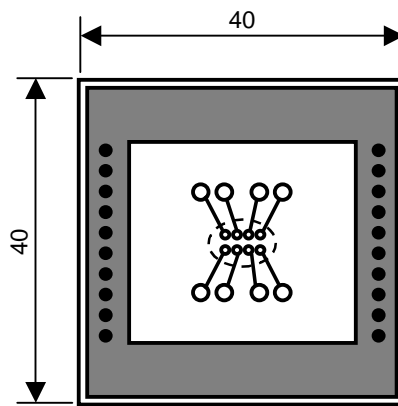
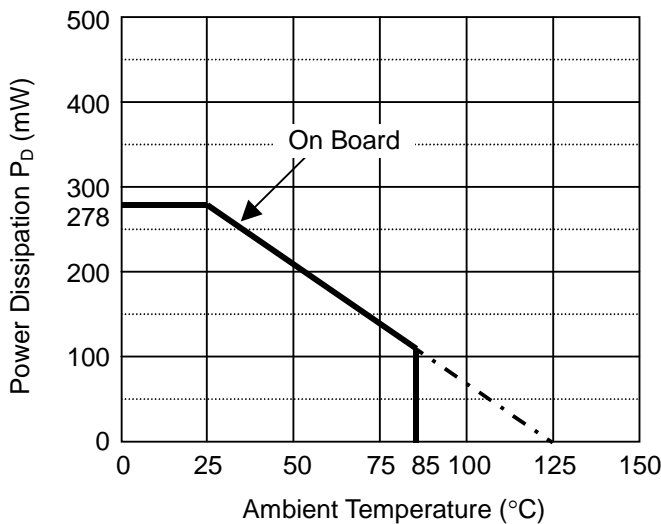
#### Measurement Conditions

	Standard Land Pattern
Environment	Mounting on Board (Wind velocity=0m/s)
Board Material	Glass cloth epoxy plastic (Double sided)
Board Dimensions	40mm x 40mm x 1.6mm
Copper Ratio	Top side : Approx. 50% , Back side : Approx. 50%
Through-hole	$\phi$ 0.5mm x 28pcs

#### Measurement Result

( $T_a=25^\circ\text{C}$ ,  $T_{j\text{max}}=125^\circ\text{C}$ )

	Standard Land Pattern
Power Dissipation	278mW
Thermal Resistance	$\theta_{ja}=(125-25^\circ\text{C})/0.278\text{W}=360^\circ\text{C/W}$
	$\theta_{jc}=46^\circ\text{C/W}$

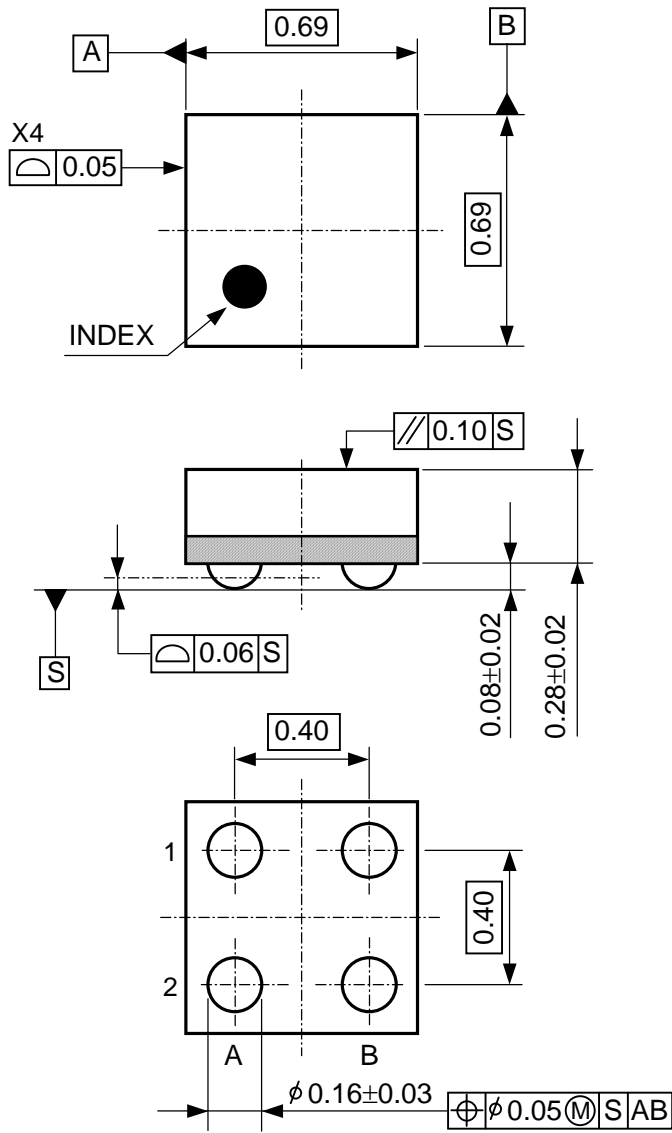


Measurement Board Pattern

IC Mount Area (Unit : mm)



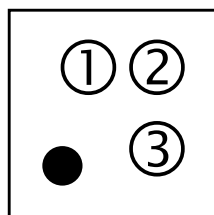
• Package Dimensions (WLCSP-4-P7)



Unit: mm

• Mark Specifications (WLCSP-4-P7)

- ① : Product Code ... **A**
- ②③ : Lot No ... Alphanumeric serial number.



---

**RP116Z**

---

NO.EA-281-170126

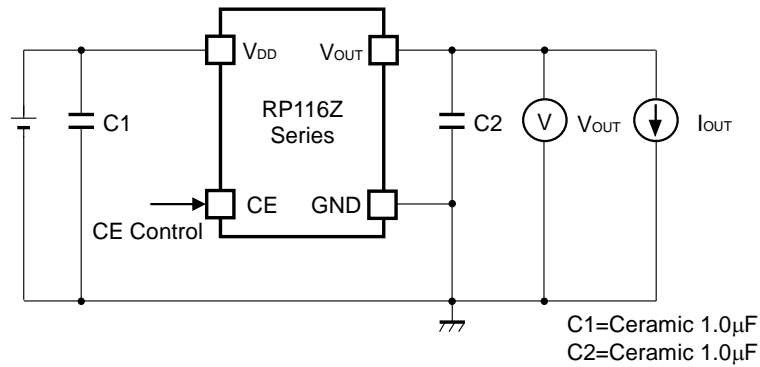
**● RP116Z Series marking list table (WLCSP-4-P7)****●RP116Zxx1B**

<b>Product Name</b>	<b>V<sub>SET</sub></b>
RP116Z071B	0.7V
RP116Z081B	0.8V
RP116Z091B	0.9V
RP116Z101B	1.0V
RP116Z111B	1.1V
RP116Z121B	1.2V
RP116Z131B	1.3V
RP116Z141B	1.4V
RP116Z151B	1.5V
RP116Z161B	1.6V
RP116Z171B	1.7V
RP116Z181B	1.8V
RP116Z121B5	1.25V
RP116Z181B5	1.85V

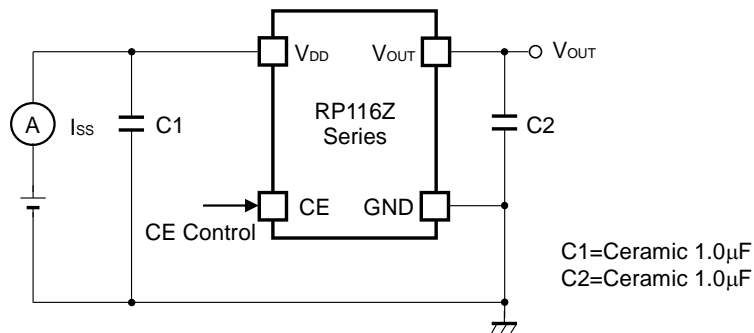
**●RP116Zxx1D**

<b>Product Name</b>	<b>V<sub>SET</sub></b>
RP116Z071D	0.7V
RP116Z081D	0.8V
RP116Z091D	0.9V
RP116Z101D	1.0V
RP116Z111D	1.1V
RP116Z121D	1.2V
RP116Z131D	1.3V
RP116Z141D	1.4V
RP116Z151D	1.5V
RP116Z161D	1.6V
RP116Z171D	1.7V
RP116Z181D	1.8V
RP116Z121D5	1.25V
RP116Z181D5	1.85V

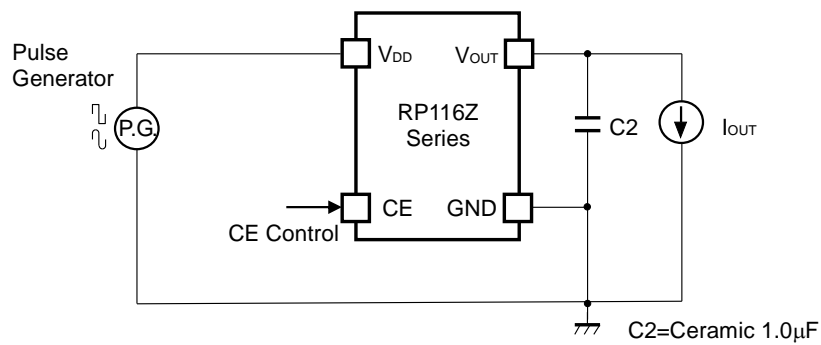
TEST CIRCUITS



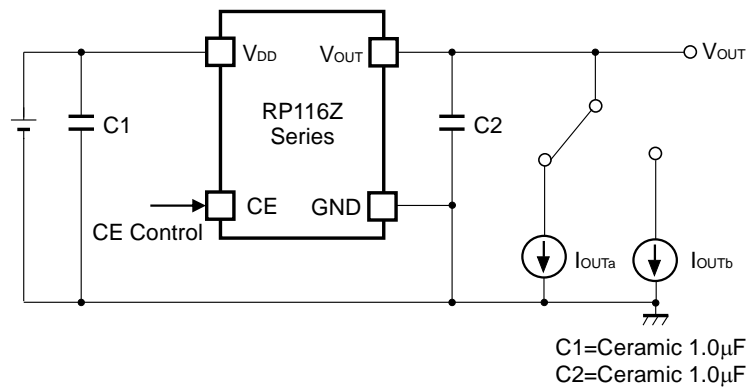
Basic Test Circuit



Supply Current Test Circuit



Ripple Rejection Test Circuit

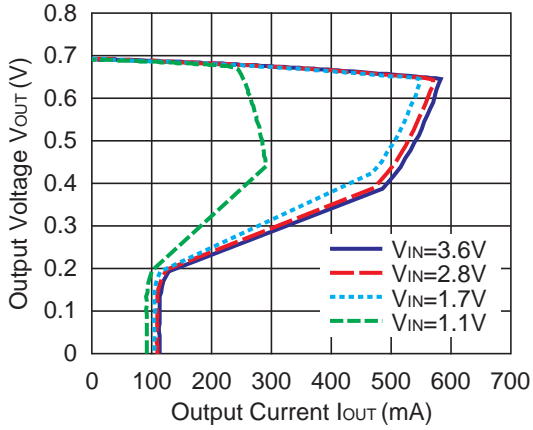


Load Transient Response Test Circuit

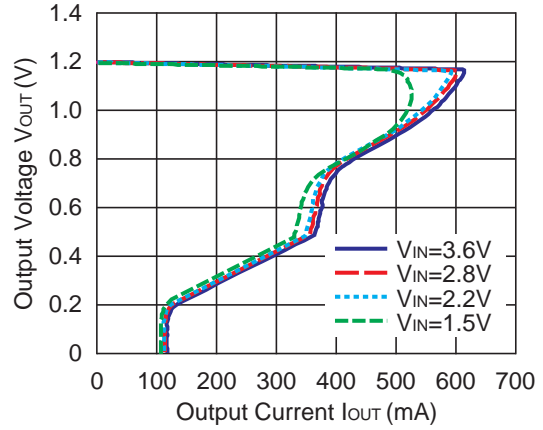
## TYPICAL CHARACTERISTICS

### 1) Output Voltage vs. Output Current ( $T_{opt}=25^{\circ}\text{C}$ )

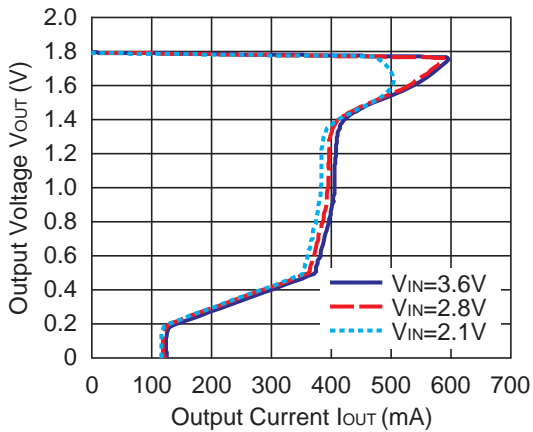
RP116Z071x



RP116Z121x

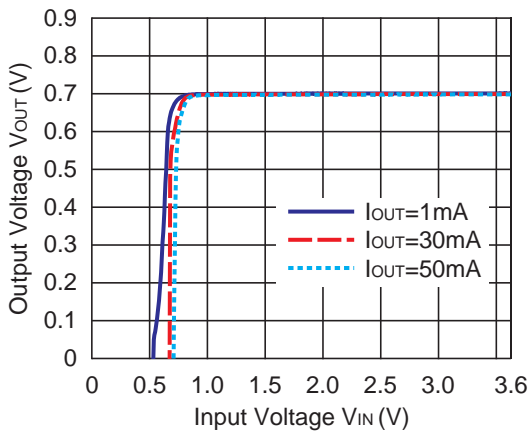


RP116Z181x

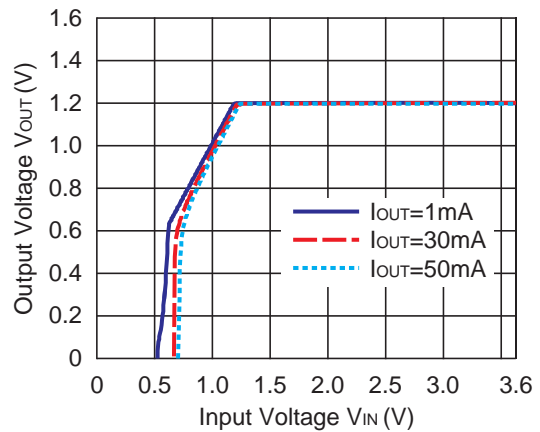


### 2) Output Voltage vs. Input Voltage ( $T_{opt}=25^{\circ}\text{C}$ )

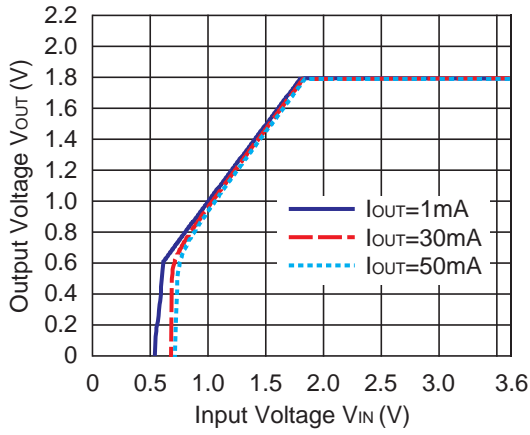
RP116Z071x



RP116Z121x

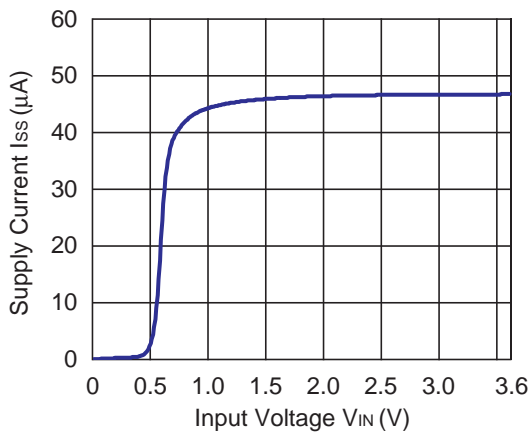


RP116Z181x

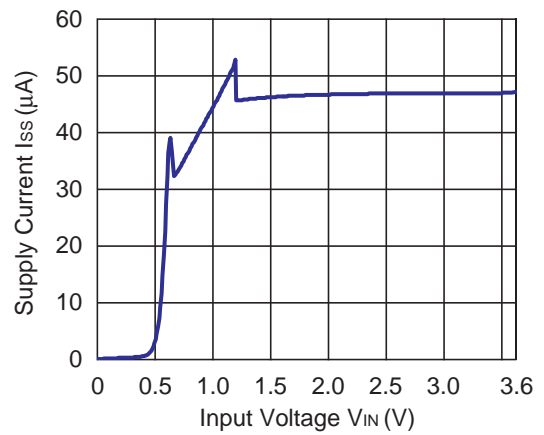


3) Supply Current vs. Input Voltage ( $T_{opt}=25^{\circ}C$ )

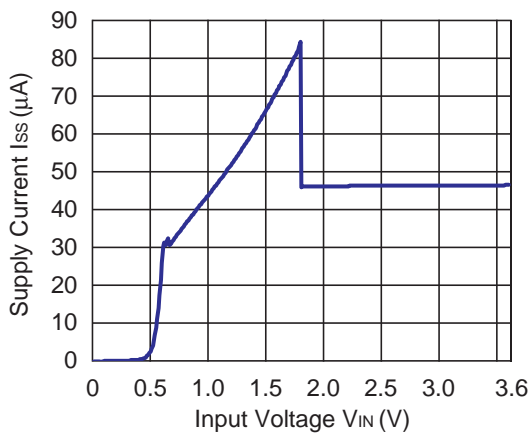
RP116Z071x



RP116Z121x



RP116Z181x



---

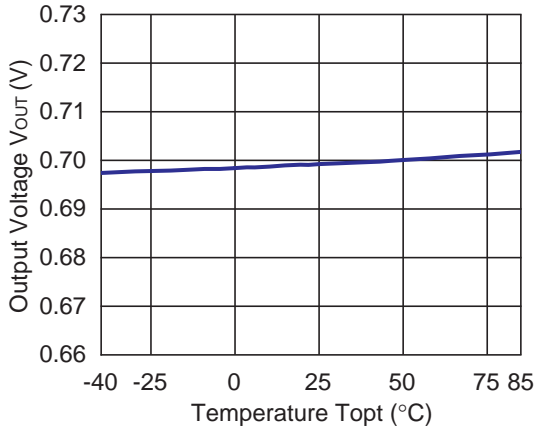
# RP116Z

---

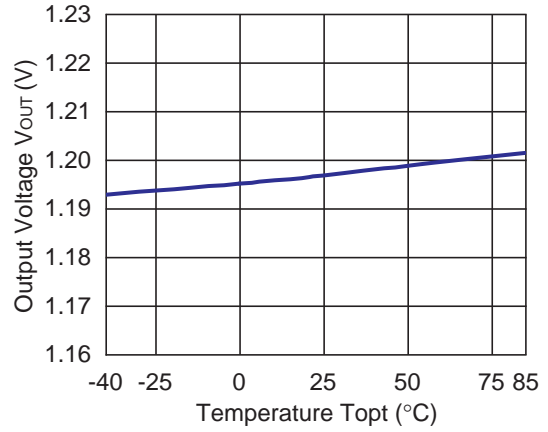
NO.EA-281-170126

## 4) Output Voltage vs. Temperature

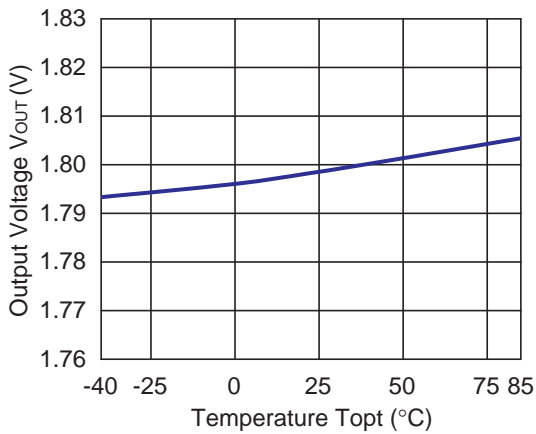
RP116Z071x



RP116Z121x

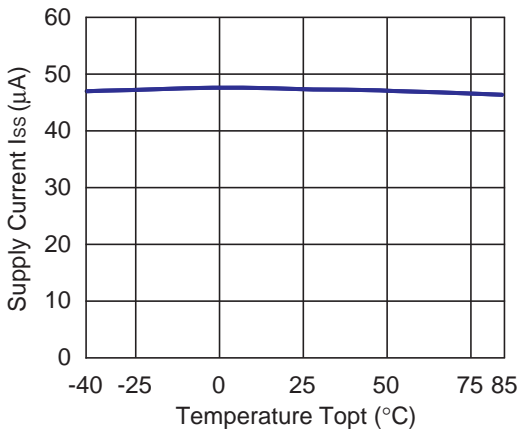


RP116Z181x

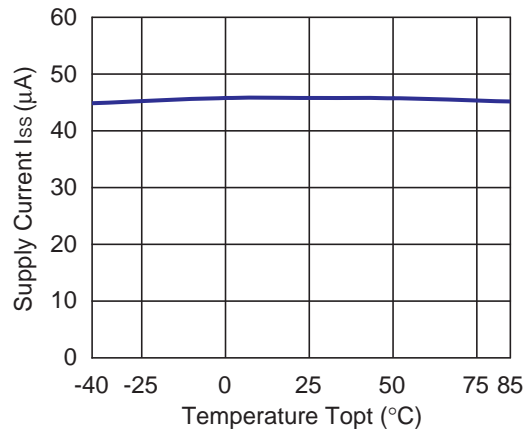


## 5) Supply Current vs. Temperature

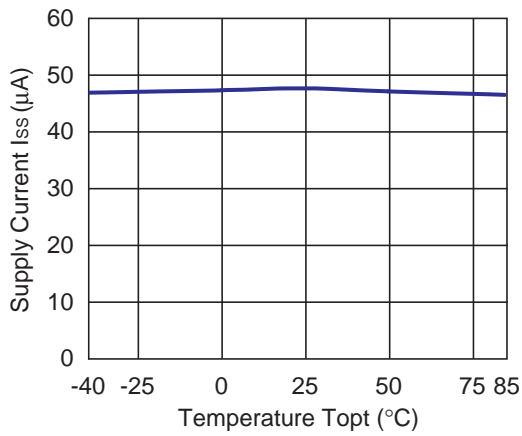
RP116Z071x



RP116Z121x

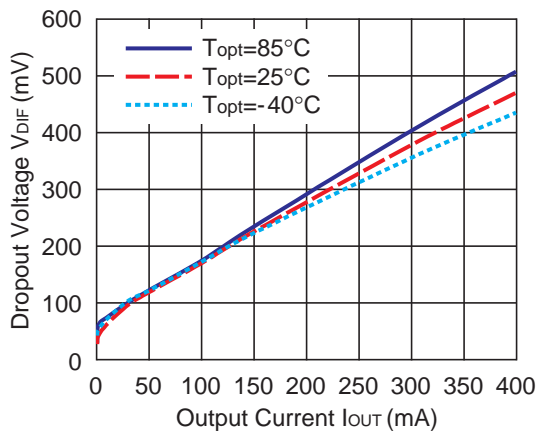


RP116Z181x

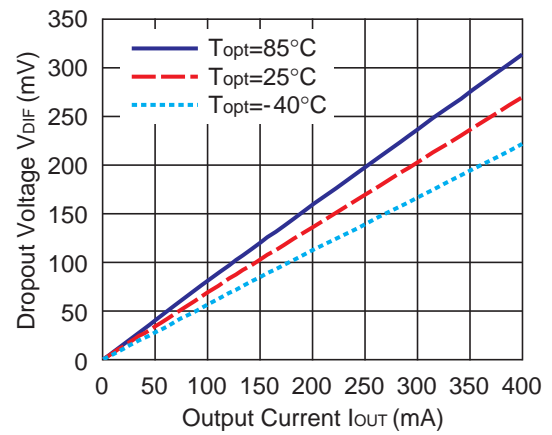


6) Dropout Voltage vs. Output Current

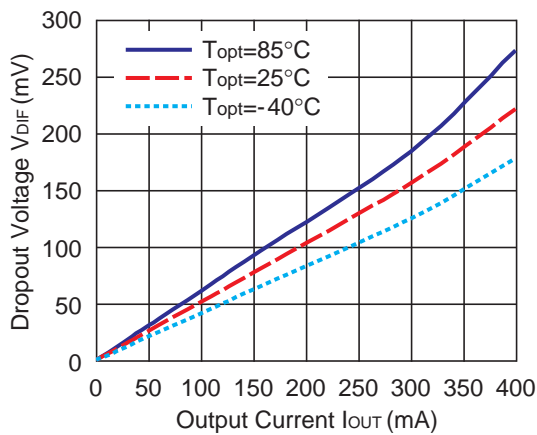
RP116Z071x



RP116Z121x



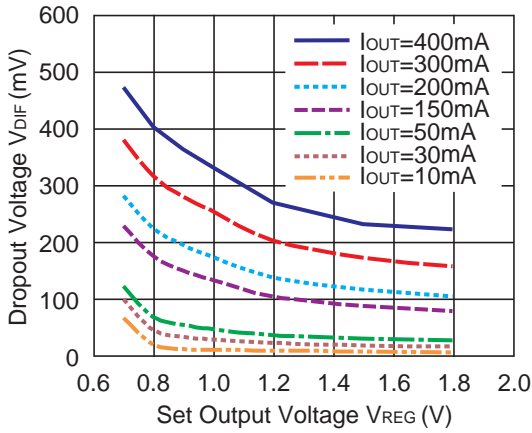
RP116Z181x



# RP116Z

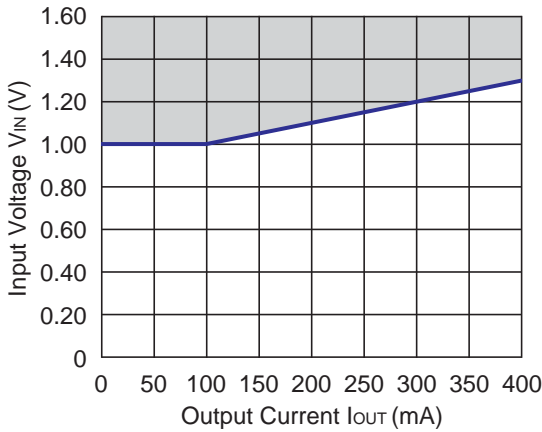
NO.EA-281-170126

## 7) Dropout Voltage vs Set Output Voltage ( $T_{opt}=25^{\circ}C$ )



## 8) Minimum Operating Voltage

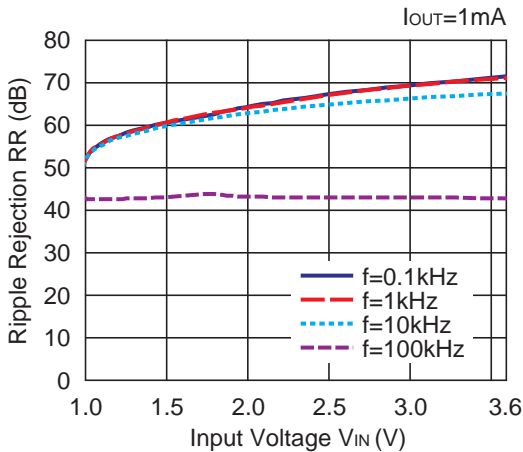
RP116Z071x



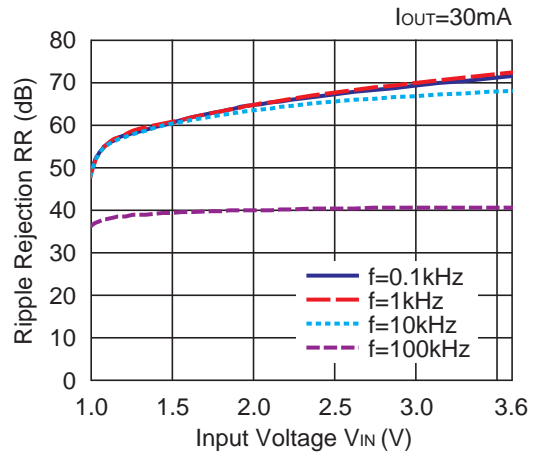
Hatched area is available for 0.7V output

## 9) Ripple Rejection vs. Input Bias Voltage ( $C_1=none, C_2=1.0\mu F, Ripple=0.2Vp-p, T_{opt}=25^{\circ}C$ )

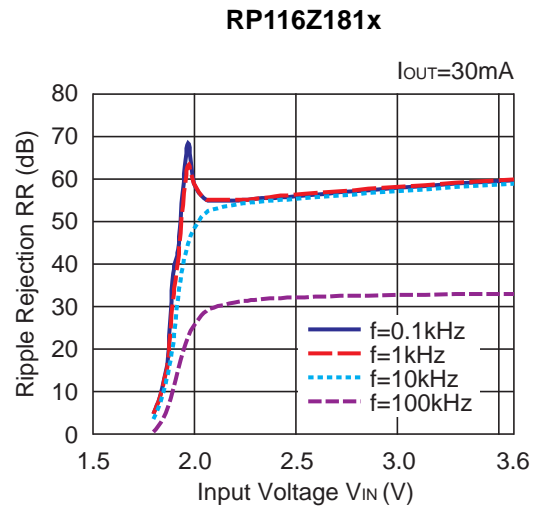
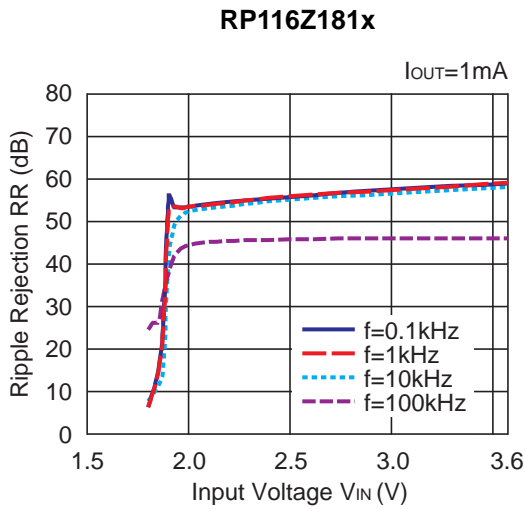
RP116Z071x



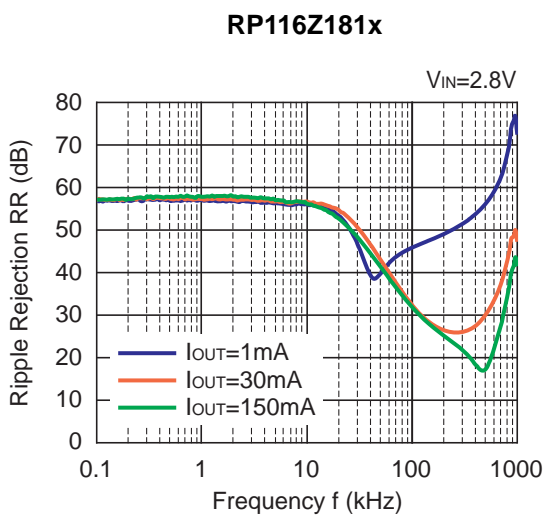
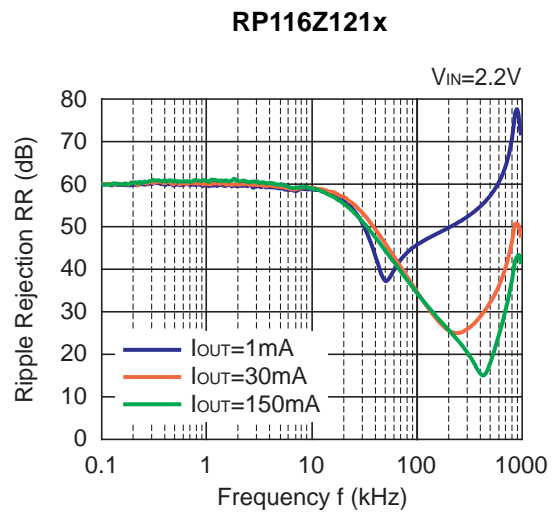
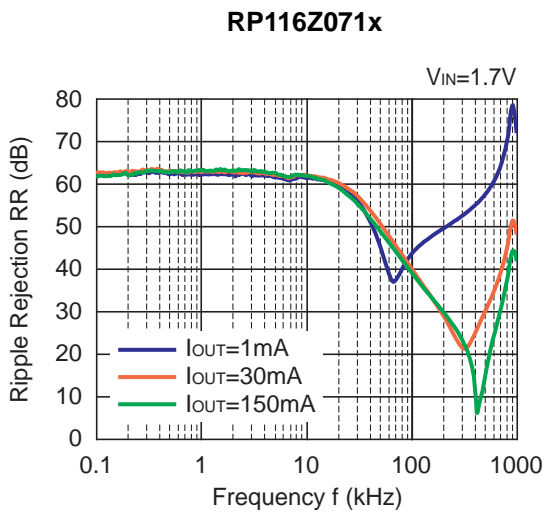
RP116Z071x







**10) Ripple Rejection vs. Frequency ( $C1=none$ ,  $C2=1.0\mu F$ , Ripple=0.1Vp-p,  $T_{opt}=25^{\circ}C$ )**

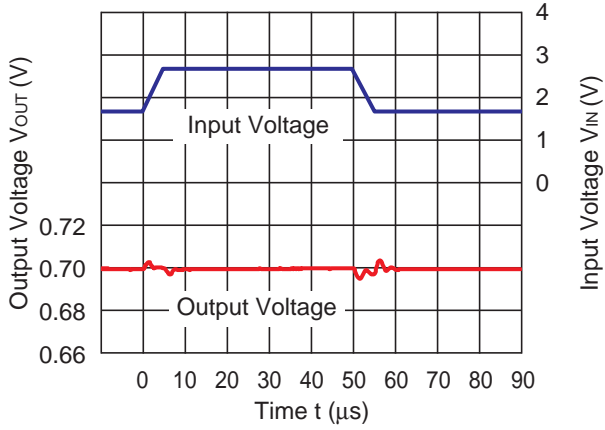


# RP116Z

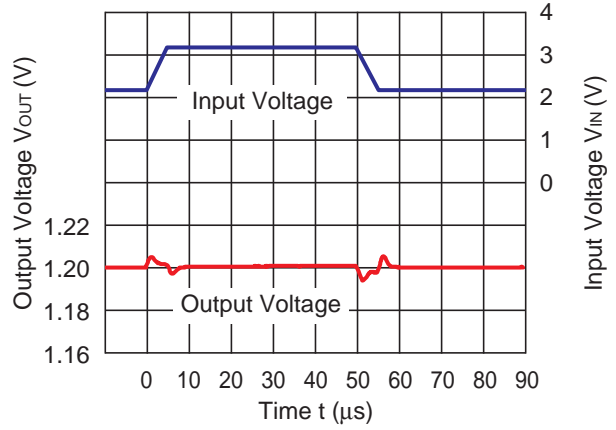
NO.EA-281-170126

## 11) Input Transient Response ( $C1=none$ , $C2=1.0\mu F$ , $I_{OUT}=30mA$ , $t_r=t_f=5\mu s$ , $T_{opt}=25^\circ C$ )

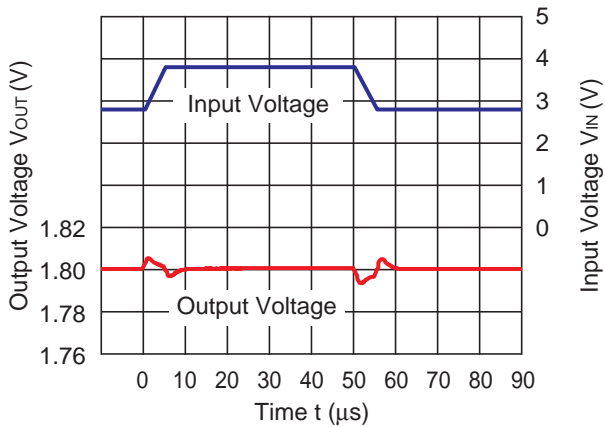
RP116Z071x



RP116Z121x

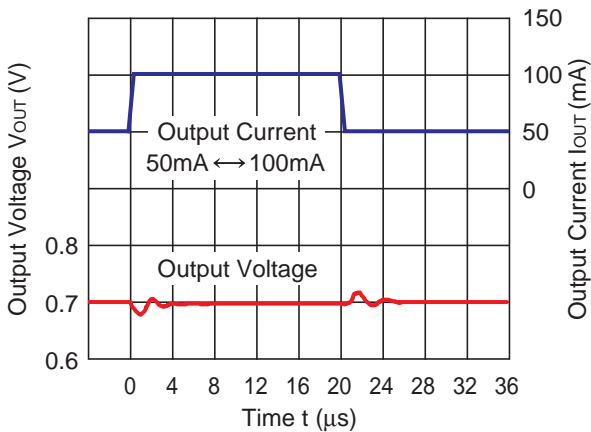


RP116Z181x

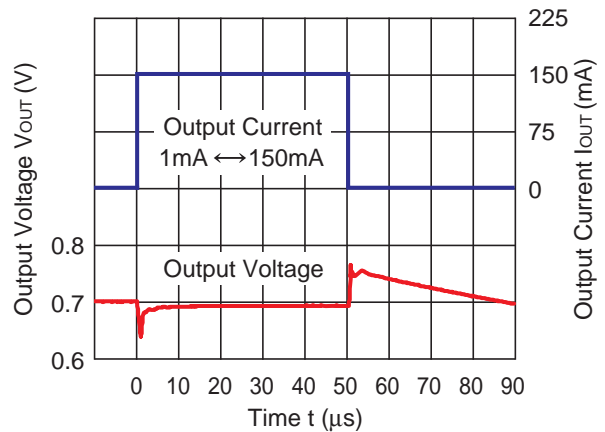


## 12) Load Transient Response ( $C1=C2=1.0\mu F$ , $t_r=t_f=5\mu s$ , $T_{opt}=25^\circ C$ )

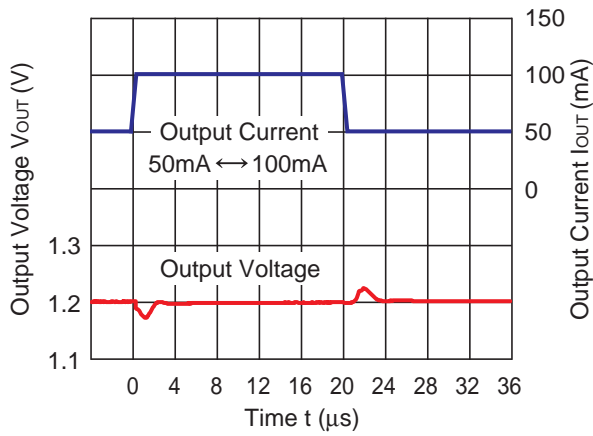
RP116Z071x



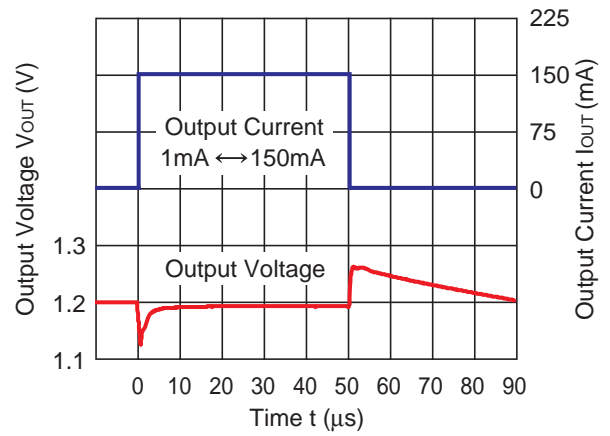
RP116Z071x



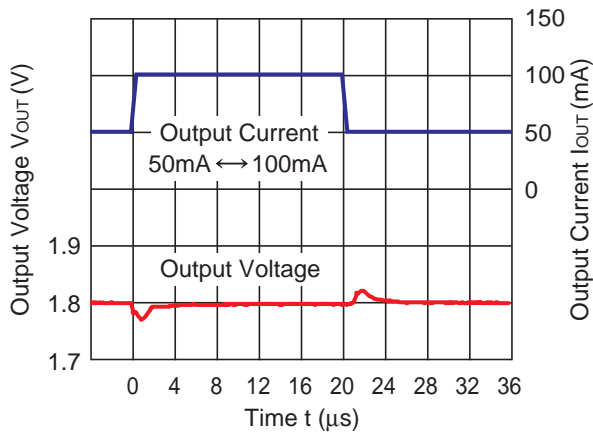
RP116Z121x



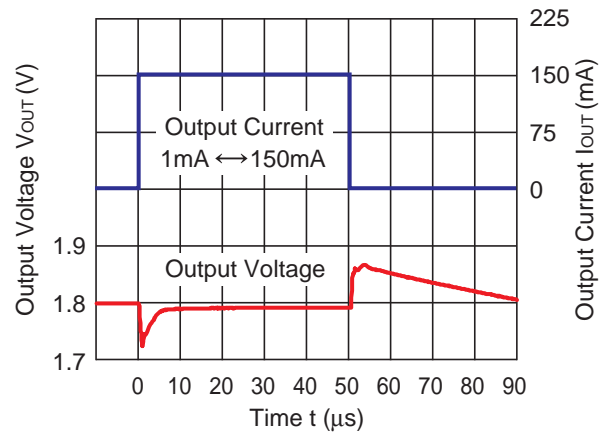
RP116Z121x



RP116Z181x

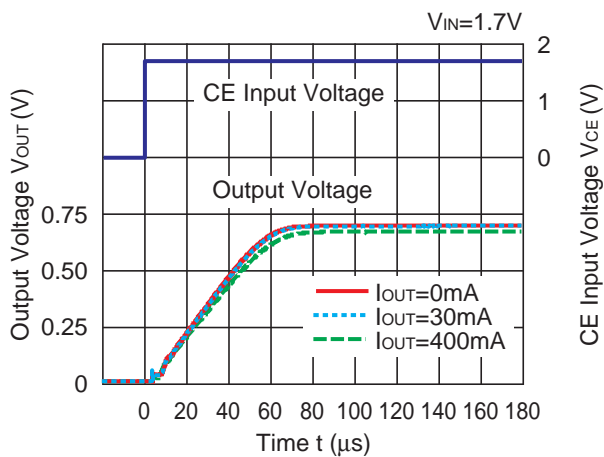


RP116Z181x

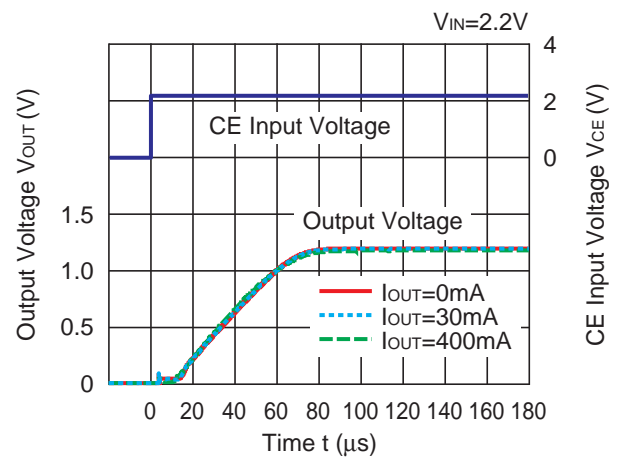


13) Turn On Speed with CE pin ( $C1=C2=1.0\mu F$ ,  $T_{opt}=25^{\circ}C$ )

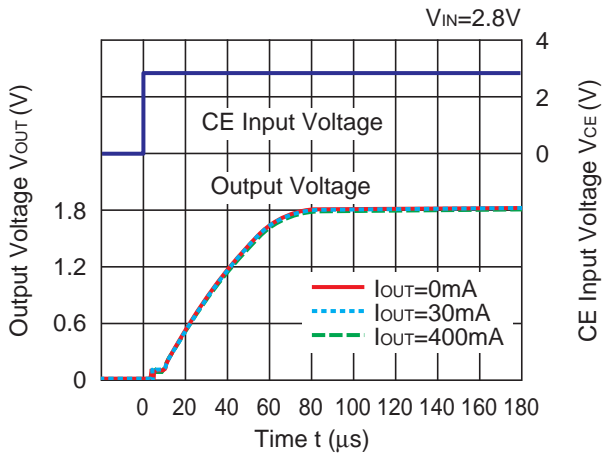
RP116Z071x



RP116Z121x

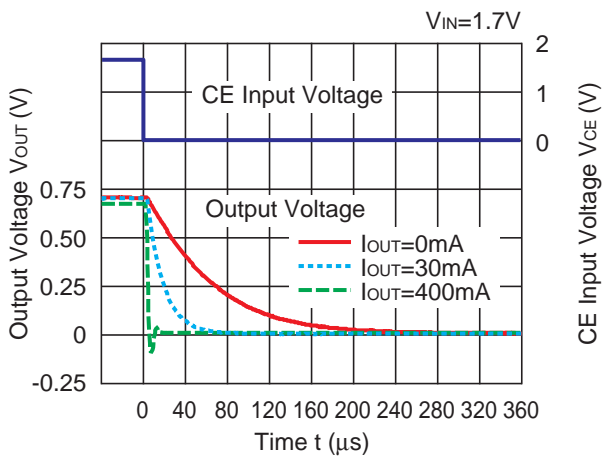


RP116Z181x

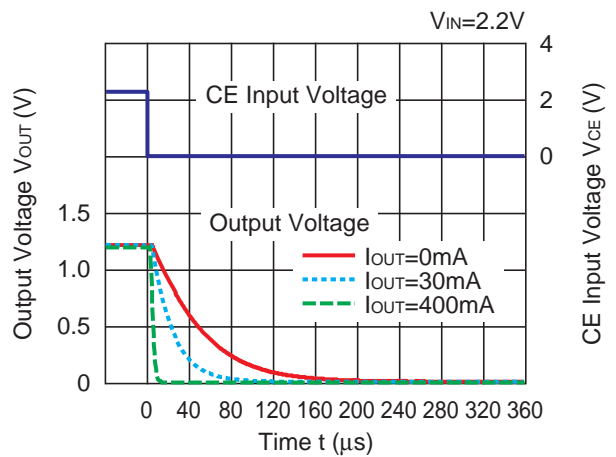


14) Turn Off Speed with CE pin ( $C1=C2=1.0\mu F$ ,  $T_{opt}=25^{\circ}C$ )

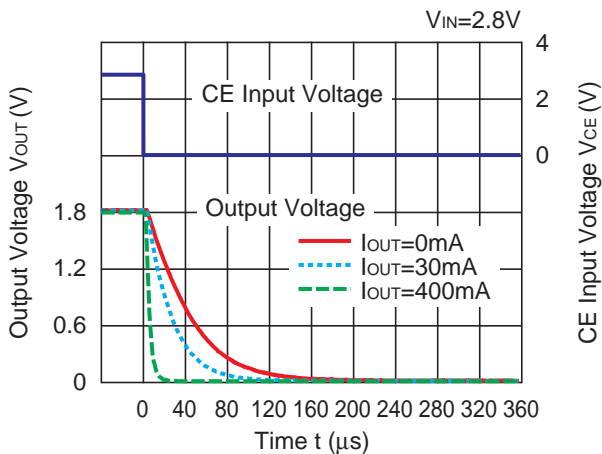
RP116Z071x



RP116Z121x

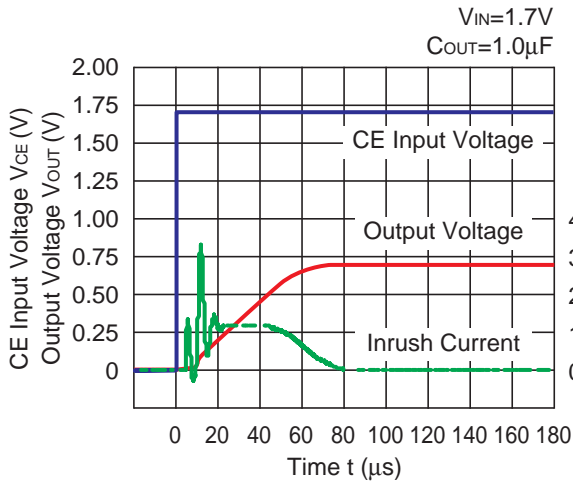


RP116Z181x

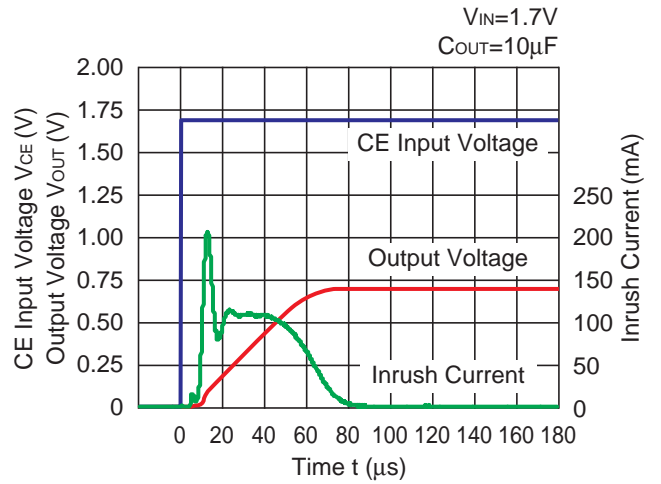


15) Inrush Current at Start up ( $C_1=1.0\mu\text{F}$ ,  $T_{opt}=25^\circ\text{C}$ )

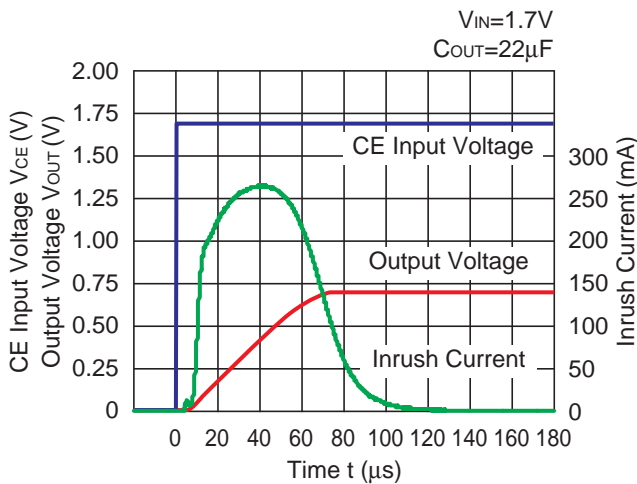
RP116Z071x



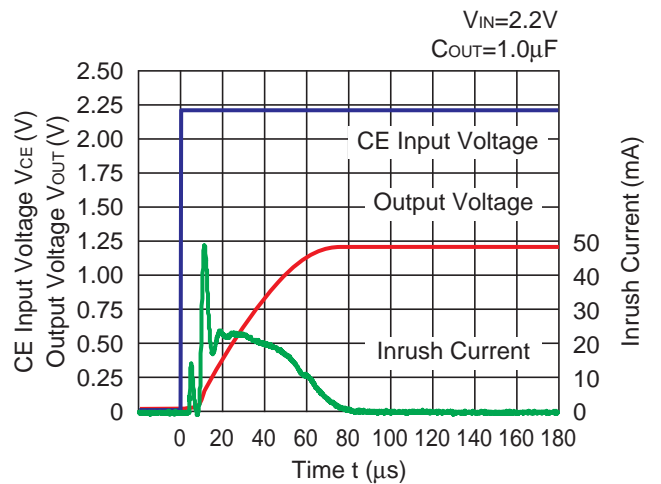
RP116Z071x



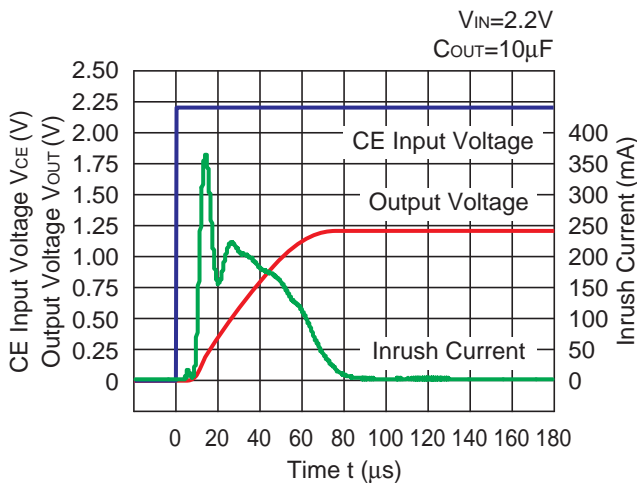
RP116Z071x



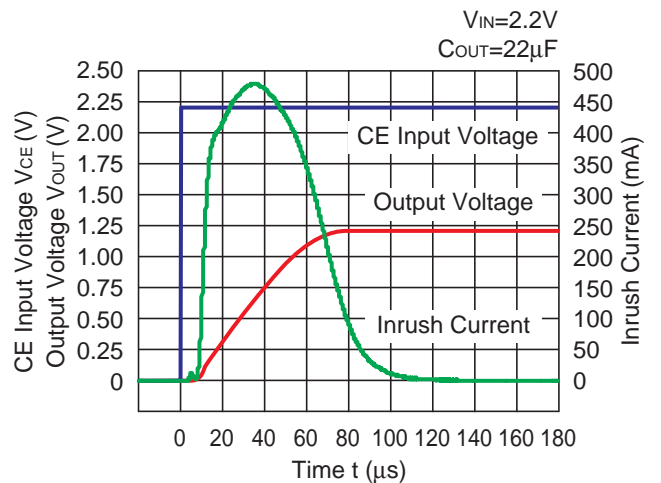
RP116Z121x



RP116Z121x



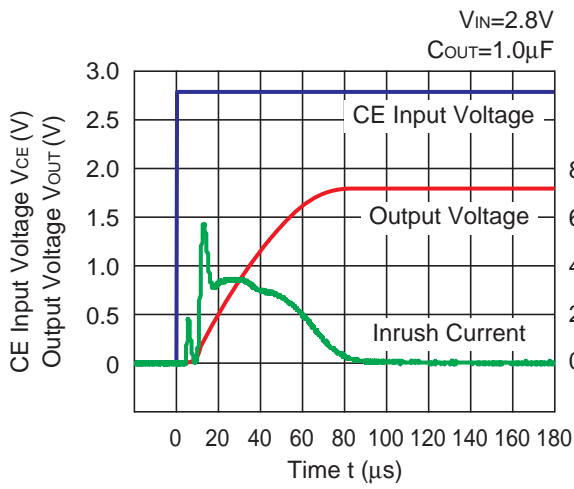
RP116Z121x



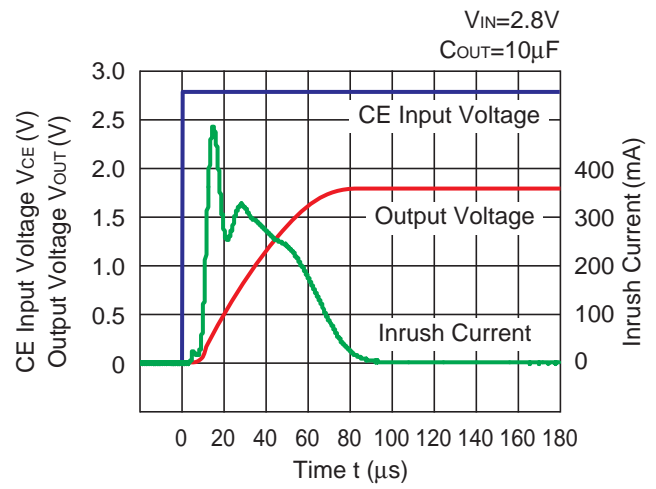
# RP116Z

NO.EA-281-170126

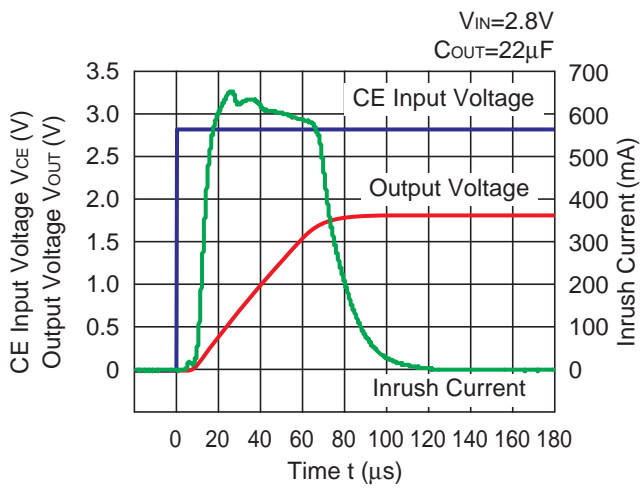
### RP116Z181x



### RP116Z181x



### RP116Z181x



## ESR vs. Output Current

When using these ICs, consider the following points:

The relations between  $I_{OUT}$  (Output Current) and ESR of an output capacitor are shown below.

The conditions when the white noise level is under  $40\mu V$  (Avg.) are marked as the hatched area in the graph.

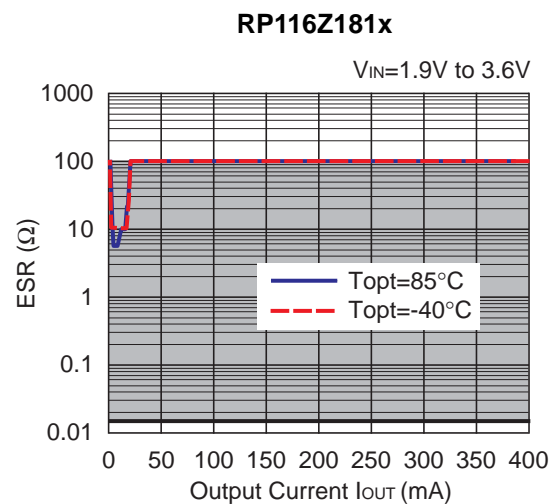
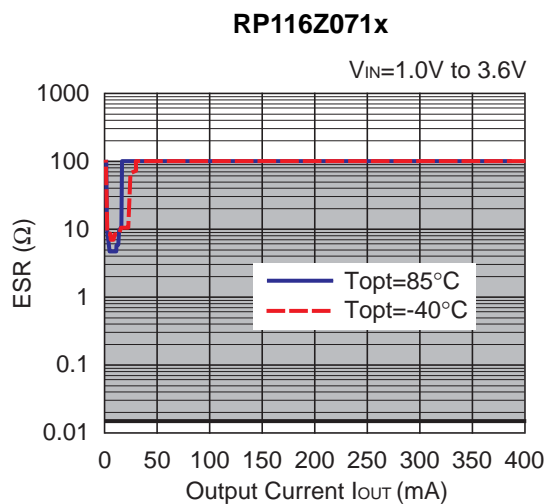
### Measurement conditions

Frequency Band: 10Hz to 3MHz

Temperature :  $-40^{\circ}C$  to  $85^{\circ}C$

C1, C2 :  $1.0\mu F$  MURATA GRM155B31A105KE15

If other than ceramic capacitors such as tantalum, the ESR of the capacitor might be higher than expected. This graph shows the stable area with ESR limit. In the actual evaluation, we used Murata GRM155B31A105KE15, therefore, bias characteristics of the same kind of ceramic capacitors are considered.





1. The products and the product specifications described in this document are subject to change or discontinuation of production without notice for reasons such as improvement. Therefore, before deciding to use the products, please refer to our sales representatives for the latest information thereon.
2. The materials in this document may not be copied or otherwise reproduced in whole or in part without prior written consent of our company.
3. Please be sure to take any necessary formalities under relevant laws or regulations before exporting or otherwise taking out of your country the products or the technical information described herein.
4. The technical information described in this document shows typical characteristics of and example application circuits for the products. The release of such information is not to be construed as a warranty of or a grant of license under our company's or any third party's intellectual property rights or any other rights.
5. The products listed in this document are intended and designed for use as general electronic components in standard applications (office equipment, telecommunication equipment, measuring instruments, consumer electronic products, amusement equipment etc.). Those customers intending to use a product in an application requiring extreme quality and reliability, for example, in a highly specific application where the failure or misoperation of the product could result in human injury or death (aircraft, spacevehicle, nuclear reactor control system, traffic control system, automotive and transportation equipment, combustion equipment, safety devices, life support system etc.) should first contact us.
6. We are making our continuous effort to improve the quality and reliability of our products, but semiconductor products are likely to fail with certain probability. In order to prevent any injury to persons or damages to property resulting from such failure, customers should be careful enough to incorporate safety measures in their design, such as redundancy feature, fire containment feature and fail-safe feature. We do not assume any liability or responsibility for any loss or damage arising from misuse or inappropriate use of the products.
7. Anti-radiation design is not implemented in the products described in this document.
8. The X-ray exposure can influence functions and characteristics of the products. Confirm the product functions and characteristics in the evaluation stage.
9. WLCSP products should be used in light shielded environments. The light exposure can influence functions and characteristics of the products under operation or storage.
10. There can be variation in the marking when different AOI (Automated Optical Inspection) equipment is used. In the case of recognizing the marking characteristic with AOI, please contact our sales or our distributor before attempting to use AOI.
11. Please contact our sales representatives should you have any questions or comments concerning the products or the technical information.



**Nisshinbo Micro Devices Inc.**

**Official website**

<https://www.nisshinbo-microdevices.co.jp/en/>

**Purchase information**

<https://www.nisshinbo-microdevices.co.jp/en/buy/>

