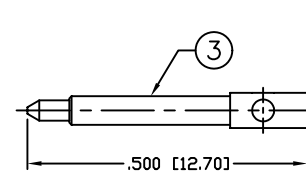
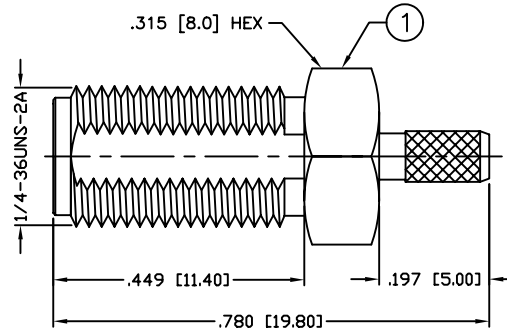
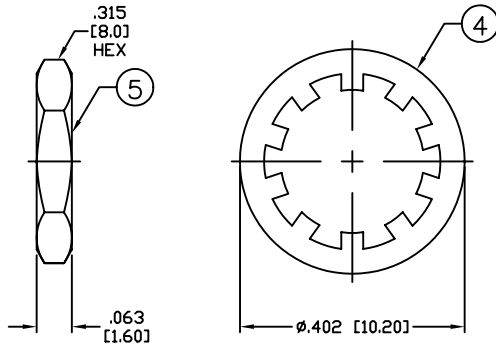


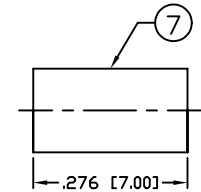
THIS DRAWING CONTAINS INFORMATION PROPRIETARY TO RF INDUSTRIES,
 ANY UNAUTHORIZED USE OF THIS DRAWING IS EXPRESSLY PROHIBITED
 WITHOUT WRITTEN PERMISSION FROM RF INDUSTRIES.
 ANY VIOLATION IS PUNISHABLE UNDER U.S. COPYRIGHT LAWS.

ALL DIMENSIONS ARE REFERENCE ONLY

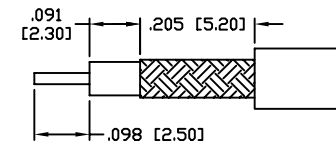
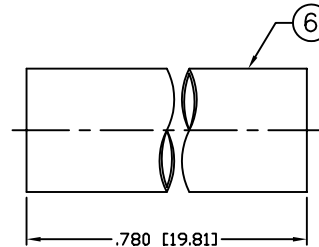
| | | | | |
|----------|---------------------|--------------------|----------|----------|
| PART NO. | | RP-3252-1B1 | | |
| REV | DESCRIPTION | DWN | DATE | APPROVED |
| - | ENGINEERING RELEASE | CZS | 08/27/99 | JDMc |
| | | | | |
| | | | | |



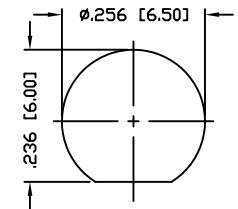
RECOMMENDED SOLDER ONLY



RECOMMENDED CRIMP DIE: 130"



RECOMMENDED STRIPPING DIMENSIONS



RECOMMENDED MOUNTING HOLE

SPECIFICATIONS:

IMPEDANCE: 50 Ohms
 FREQUENCY RANGE: 0-12.4 GHz
 INSERTION LOSS(dB): 0.06 x √f(GHz)
 VSWR: 1.3 MAX.
 WORKING VOLTAGE: 375 V rms Max. @ Sea Level
 INSULATION RESISTANCE: 5k M Ohms min.
 TEMPERATURE RANGE: -65°C TO 165°C
 FOR RG-316/U DOUBLE SHIELD CABLE

| | | | | | | |
|----|-------------|-----|-------------|------------|-----------|------|
| 1 | BODY | 1 | BRASS | GOLD, 3μ" | 008974 | |
| 2 | INSULATOR | 1 | PTFE | --- | | |
| 3 | CONTACT | 1 | BRASS | GOLD, 50μ" | | |
| 4 | LOCK WASHER | 1 | BRASS | GOLD, 3μ" | | |
| 5 | HEX NUT | 1 | BRASS | GOLD, 3μ" | | |
| 6 | TUBING | 1 | HEAT SHRINK | --- | | |
| 7 | FERRULE | 1 | COPPER | GOLD, 3μ" | | |
| 8 | | | | | | |
| 9 | | | | | | |
| 10 | | | | | DRAWN | |
| 11 | | | | | C. ZUNIGA | |
| 12 | | | | | 5/2/06 | |
| 13 | | | | | CHECKED | |
| 14 | | | | | | |
| | | | | | ORJ DRAWN | |
| | | | | | C. ZUNIGA | |
| | | | | | 5/2/06 | |
| # | DESCRIPTION | QTY | MATERIAL | FINISH | APPROVALS | DATE |

UNLESS OTHERWISE SPECIFIED:
 1. REMOVE ALL BURRS
 2. BREAK ALL CORNERS & EDGES .005 R. MAX.
 3. CHAMFER 1ST & LAST THREADS 45°
 4. SURFACE ROUGHNESS 63 FINISH MIL-STD-10
 5. DIAMETERS ON COMMON CENTERS TO BE CONCENTRIC WITHIN .002 T.I.R.
 6. ALL DIMENSIONS ARE AFTER PLATING.

DIMENSIONS ARE IN INCHES AND [MILLIMETERS]
 UNLESS OTHERWISE NOTED TOLERANCES ARE:

| | |
|-----------------|-----------------|
| DECIMALS | DIAMETER |
| .XXX±.003 [.08] | .XXX±.001 [.03] |
| .XX±.005 [.13] | .XX±.003 [.08] |

RF

7610 MIRAMAR RD
 SAN DIEGO, CA 92126
 (858) 549-6340
 DIVISION OF RF INDUSTRIES, LTD. (858) 549-6345 FAX

SMA JACK, CRIMP

REVERSE POLARITY, BULKHEAD

| | | | |
|------|-------------|-------------|-----|
| SIZE | CABLE GROUP | DWG NO. | REV |
| A | B1 | RP-3252-1B1 | - |

SCALE: NTS CAD FILE OUTLINE SHEET 1 OF 1