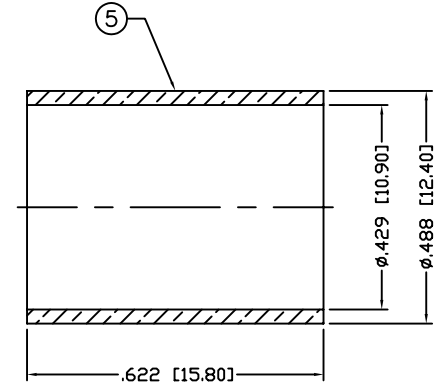
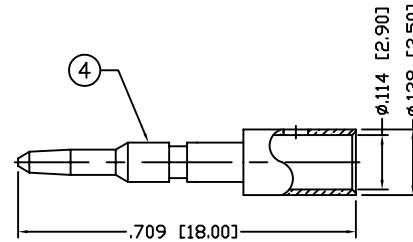
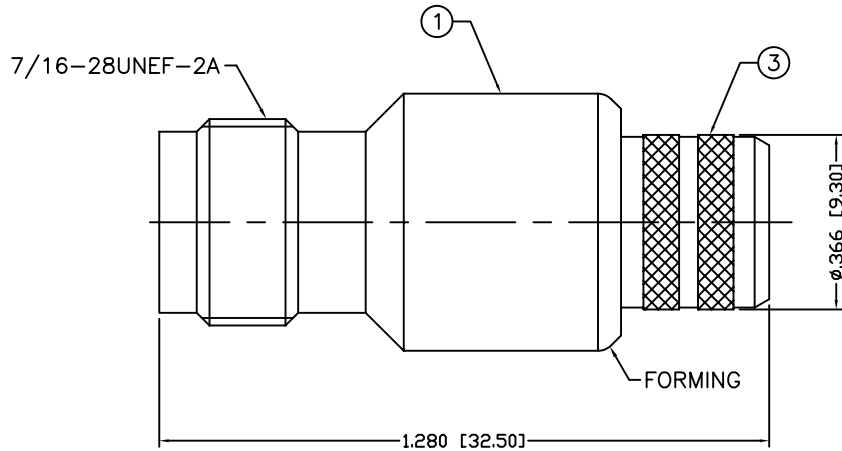


THIS DRAWING CONTAINS INFORMATION PROPRIETARY TO RF INDUSTRIES.  
 ANY UNAUTHORIZED USE OF THIS DRAWING IS EXPRESSLY PROHIBITED  
 WITHOUT WRITTEN PERMISSION FROM RF INDUSTRIES.  
 ANY VIOLATION IS PUNISHABLE UNDER U.S. COPYRIGHT LAWS.

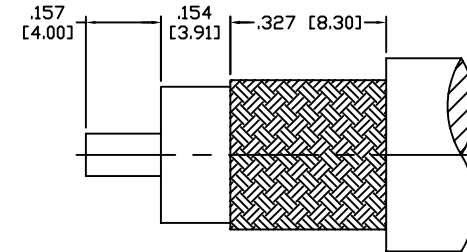
PART NO.

**RP-1216-1**

REV	DESCRIPTION	DWN	DATE	APPROVED
-	ENGINEERING RELEASE	CZS	9/25/00	JDMc



1. CRIMPED FERRULE  
HEX CRIMP SIZE .429"
2. CRIMPED CONTACT PIN  
HEX CRIMP SIZE .118"



RECOMMENDED  
STRIPPING DIMENSIONS

**SPECIFICATIONS:**

IMPEDANCE: 50 OHMS  
 FOR BELDEN 8214, 9913, 9913F, 9914,  
 CAROL C1180, TIMES AA-5886 & LMR-400 CABLE

ALL DIMENSIONS ARE REFERENCE ONLY

1	BODY	1	BRASS	NICKEL, 100 MICRO	008974	UNLESS OTHERWISE SPECIFIED: 1. REMOVE ALL BURRS 2. BREAK ALL CORNERS & EDGES .005 R. MAX. 3. CHAMFER 1ST & LAST THREADS 45° 4. SURFACE ROUGHNESS 63 FINISH MIL-STD-10 5. DIAMETERS ON COMMON CENTERS TO BE CONCENTRIC WITHIN .002 T.I.R. 6. ALL DIMENSIONS ARE AFTER PLATING.
2	INSULATOR	1	PTFE	----		
3	FERRULE STUD	1	BRASS	NICKEL, 100 MICRO		
4	CONTACT	1	BRASS	GOLD, 3 MICRO		
5	FERRULE	1	COPPER	NICKEL, 100 MICRO		
6						
7						
8						
9						
10					DRAWN	
11					C. ZUNIGA	9/25/00
12					CHECKED	
13					ORJ DRAWN	
14					008974	12/01/99
#	DESCRIPTION	QTY	MATRL	FINISH	APPROVALS	DATE

DIMENSIONS ARE IN INCHES AND [MILLIMETERS]	
DECIMALS	DIAMETER
.xxx±.003 [.08]	.xxx±.001 [.03]
.xx±.005 [.13]	.xx±.003 [.08]

**RFconnectors**  
 DIVISION OF RF INDUSTRIES, LTD.

7610 MIRAMAR RD  
 SAN DIEGO, CA 92126  
 (858) 549-6340  
 (858) 549-6345 FAX

**TNC CRIMP JACK**

REVERSE POLARITY

SIZE	CABLE GROUP	DWG NO.	REV
A	I	RP-1216-1	-
SCALE: NTS		CAD FILE OUTLINE	SHEET 1 OF 1