

1. Scope

The present specifications shall apply to a RO2Z.

2. Outline

High Frequency Rectification

Type	Silicon Diode
Structure	Resin Molded
Applications	Commercial Frequency Rectification

3. Flammability

UL94V-0(Equivalent)

Not Recommended for New Designs

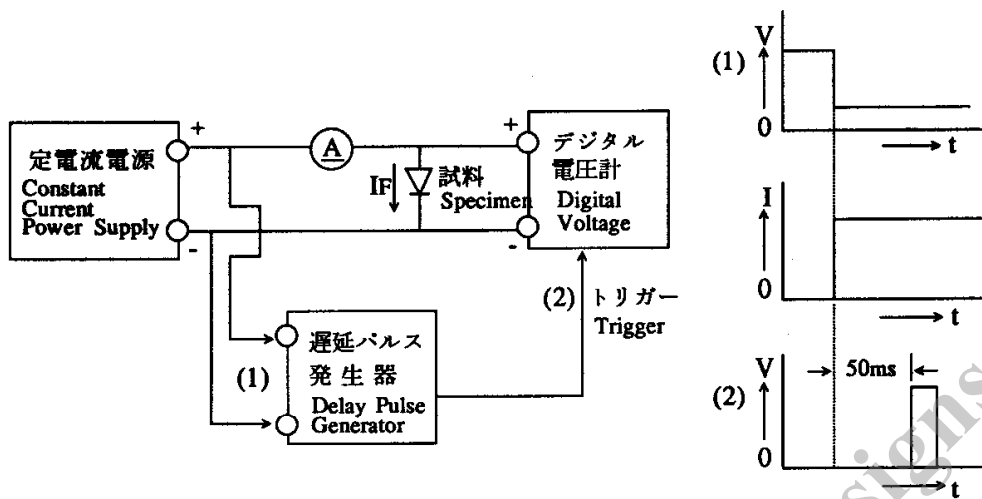
4. Absolute maximum ratings

No.	Item	Symbol	Unit	Rating	Conditions
1	Transient Peak Reverse Voltage	V_{RSM}	V	250	
2	Peak Reverse Voltage	V_{RM}	V	200	
3	DC Blocking Voltage	V_{DC}	V	140	
4	Average Forward Current	$I_{F(AV)}$	A	1.2	Refer to Derating of 7
5	Peak Surge Forward Current	I_{FSM}	A	80	10msec. Half sinewave, one shot
6	Junction Temperature	T_j	°C	-40~+150	
7	Storage Temperature	T_{stg}	°C	-40~+150	

5. Electrical characteristics

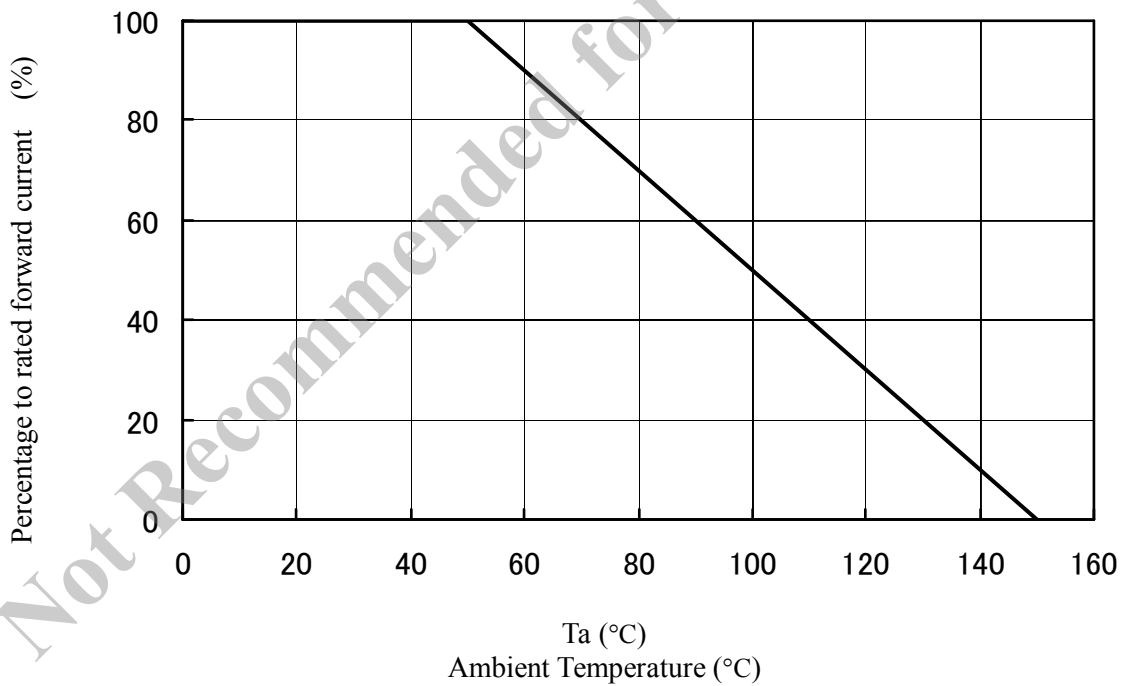
No.	Item	Symbol	Unit	Value	Conditions
1	Forward Voltage Drop	V_F	V	0.93 max.	$I_F=1.5A$
2	Reverse Leakage Current	I_R	uA	10 max.	$V_R=V_{RM}$
3	Reverse Leakage Current Under High Temperature	$H \cdot I_R$	uA	50 max.	$V_R=V_{RM}, T_a=100^\circ C$
4	Breakdown Voltage	V_B	V	250 min.	$5 \times I_R$
5	Thermal Resistance	$R_{th(j-l)}$	°C/W	12 max.	Between Junction and Lead

6. VF Test and Test Circuit



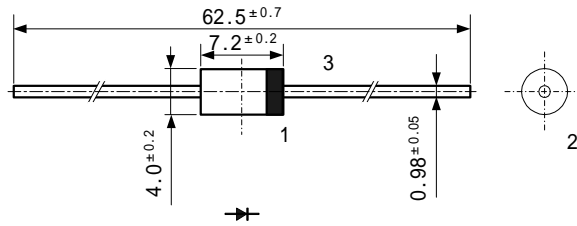
7. Derating

Deratings to the ambient temperature
 Power loss generated by voltage is not taken into consideration



8. Package information

8-1 Package type, physical dimensions and material



- 1 The allowance position of Body against the center of whole lead wire is 0.5mm(max.)
- 2 The centric allowance of lead wire against center of physical body is 0.3mm(max.)
- 3 The burr may exit up to 2mm from the body of lead

Dimensions in mm

8-2 Appearance

The body shall be clean and shall not bear any stain, rust or flaw.

8-3 Marking

Type number RO2Z

Lot number 1

First digit: Last digit of Year

Second digit: Month

From 1 to 9 for Jan. to Sep.

O for Oct., N for Nov., and D for Dec.

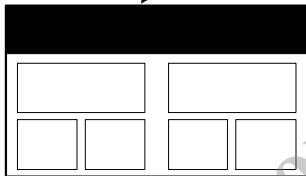
Lot number 2 (ten days)

• : Top of the month

•• : Middle of month

••• : End of month

カソード表示
Cathode Band



Not Recommended for New Designs