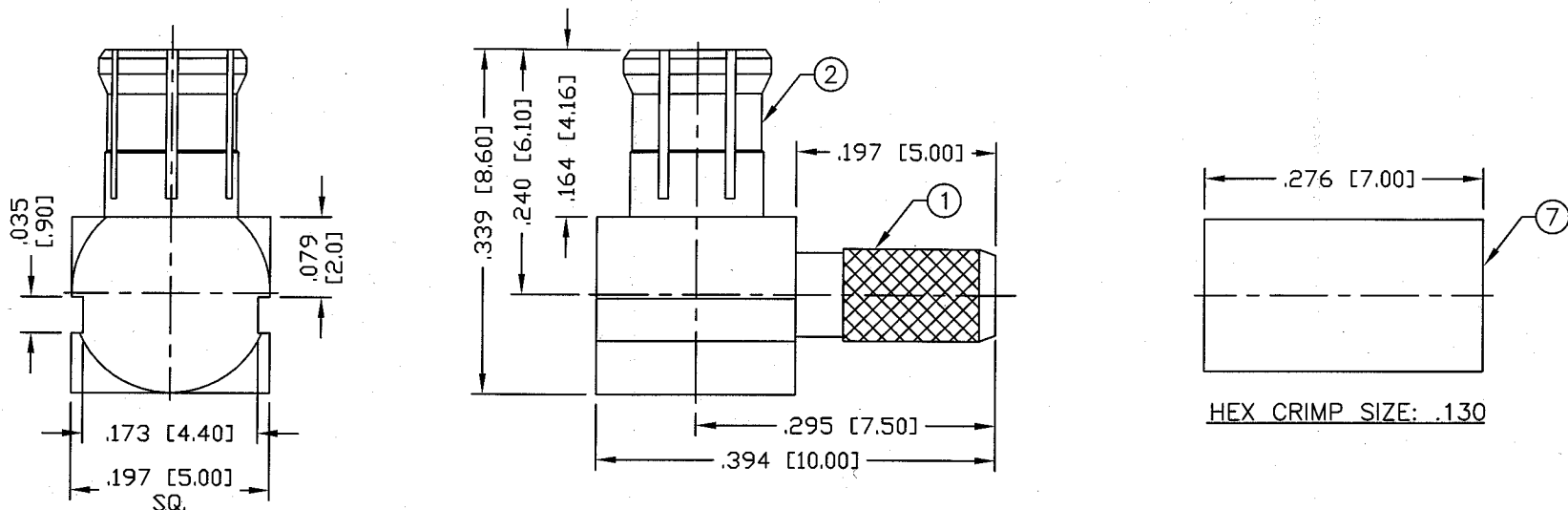


THIS DRAWING CONTAINS INFORMATION PROPRIETARY TO RF INDUSTRIES.  
 ANY UNAUTHORIZED USE OF THIS DRAWING IS EXPRESSLY PROHIBITED  
 WITHOUT WRITTEN PERMISSION FROM RF INDUSTRIES.  
 ANY VIOLATION IS PUNISHABLE UNDER U.S. COPYRIGHT LAWS.

ALL DIMENSIONS ARE REFERENCE ONLY

PART NO.		<b>RMX-8010-B</b>		
REV	DESCRIPTION	DWN	DATE	APPROVED
A	ENGINEERING RELEASE	CZS	11/10/97	R. RICE
B	P/N WAS RFX-8010-B - NOW RMX-8010-B	KMM	3/6/99	R. RICE
C	UPDATE DRAWING	CZS	8/23/00	JDMc



HEX CRIMP SIZE: .130

DIRECT SOLDER CONDUCTOR TO CAPTIVE CONTACT  
 RECOMMENDED STRIPPING DIMENSIONS

**SPECIFICATIONS:**

IMPEDANCE: 50 Ohms  
 FREQUENCY RANGE: 0-6 GHz  
 WORKING VOLTAGE: 335 VRMS MAX. AT SEA LEVEL  
 VSWR: 1.4 MAX.  
 TEMPERATURE RANGE: -65 C. TO +165 C.

FOR RG-174, 188, 188A, 316/U, ALPHA 9174, 9316,  
 BELDEN 8216, 83269, 83284, 84316 & TIMES LMR-100A CABLE

1	BODY	1	BRASS	NICKEL, 100μ
2	BNC BODY	1	Be. Cu.	NICKEL, 100μ
3	INSULATOR	1	PTFE	----
4	PIN	1	BRASS	GOLD, 30μ
5	INSULATOR	1	DELTRIN	----
6	PRESS CAP	1	BRASS	NICKEL, 100μ
7	FERRULE	1	COPPER	NICKEL, 100μ
8				
9				
10				
11				
12				
13				
14				

008974	
DRAWN	C. ZUNIGA
CHECKED	[Signature] 4/26/01
ORJ DRAWN	C. ZUNIGA
DATE	4/26/01

UNLESS OTHERWISE SPECIFIED:

- REMOVE ALL BURRS
- BREAK ALL CORNERS & EDGES .005 R. MAX.
- CHAMFER 1ST & LAST THREADS 45°
- SURFACE ROUGHNESS 63 FINISH MIL-STD-10
- DIAMETERS ON COMMON CENTERS TO BE CONCENTRIC WITHIN .002 T.I.R.
- ALL DIMENSIONS ARE AFTER PLATING.

DIMENSIONS ARE IN INCHES AND [MILLIMETERS]  
 UNLESS OTHERWISE NOTED TOLERANCES ARE:

DECIMALS	DIAMETER
.xxx±.003 [.08]	.xxx±.001 [.03]
.xx±.005 [.13]	.xx±.003 [.08]

**RF connectors**  
 DIVISION OF RF INDUSTRIES, LTD.

7610 MIRAMAR RD  
 SAN DIEGO, CA 92126  
 (858) 549-6340  
 (858) 549-6345 FAX

**MCX PLUG, CRIMP**  
 RIGHT ANGLE

SIZE	CABLE GROUP	DWG NO.	REV
A	B	RMX-8010-B	C
SCALE: NTS		CAD FILE OUTLINE	SHEET 1 OF 1