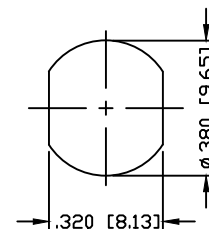
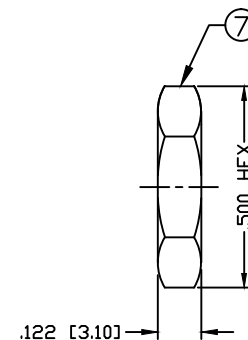
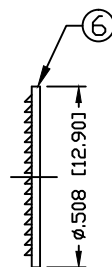
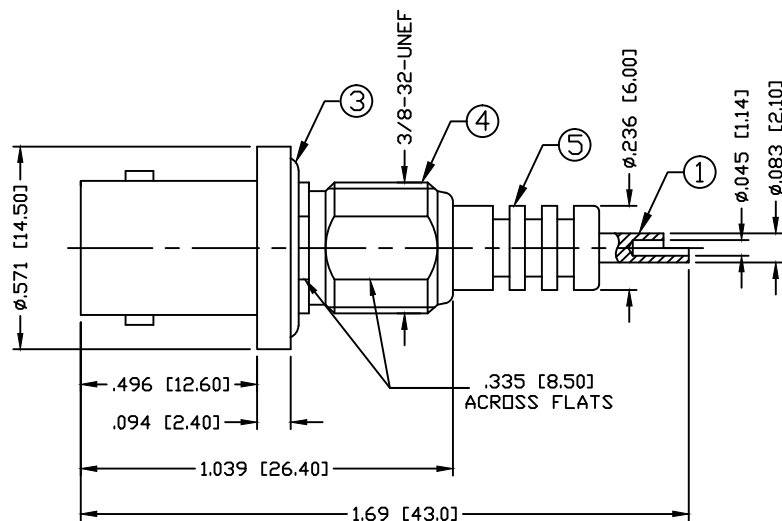


PART NO.

RHV-116

REV	DESCRIPTION	DWN	DATE	APPROVED
A	UPDATED DWG FROMAT	CZS	01/17/17	JDMc



RECOMMENDED MOUNTING HOLE

SPECIFICATIONS:

IMPEDANCE: NON CONSTANT
 WORKING VOLTAGE: 5000 V rms @ sea level (mated)
 TEMPERATURE RANGE: -65°C TO 85°C
 INSULATION RESISTANCE: 5k M Ohms min.

#	DESCRIPTION	QTY	MATERIAL	FINISH
7	HEX NUT	1	BRASS	NICKEL, 100 μ "
6	WASHER	1	IRON	NICKEL, 100 μ "
5	INSULATOR	1	PTFE	----
4	BODY	1	BRASS	NICKEL, 100 μ "
3	O-RING	1	RUBBER	----
2	INSULATOR	1	PTFE	----
1	CONTACT	1	BRASS	GOLD, 3 μ "

CUSTOMER
OUTLINE DRAWINGALL DIMENSIONS
ARE REFERENCE ONLYUNLESS OTHERWISE SPECIFIED:
DIMENSIONS ARE IN INCHES
AND [MILLIMETERS]

DRAWN	C. ZUNIGA	01/17/17
CHECKED		
ORJ DRAWN	C. ZUNIGA	12/12/01

**RoHS
COMPLIANT**

PROPRIETARY AND CONFIDENTIAL
 THIS DRAWING CONTAINS
 INFORMATION PROPRIETARY TO
 RF INDUSTRIES. ANY
 UNAUTHORIZED USE OF THIS
 DRAWING IS EXPRESSLY
 PROHIBITED WITHOUT WRITTEN
 PERMISSION FROM RF
 INDUSTRIES. ANY VIOLATION IS
 PUNISHABLE UNDER U.S.
 COPYRIGHT LAWS.

RFconnectors

DIVISION OF RF INDUSTRIES, LTD.

7610 MIRAMAR RD.
SAN DIEGO, CA 92126
(858) 549-6340
(858) 549-6345 FAX**MHV JACK**
BULKHEAD, FRONT MOUNT

SIZE	CABLE GROUP	DWG NO.	REV
A	N/A	RHV-116	A
SCALE:	ENGINEERING ID:	000000	SHEET 1 OF 1
NTS			