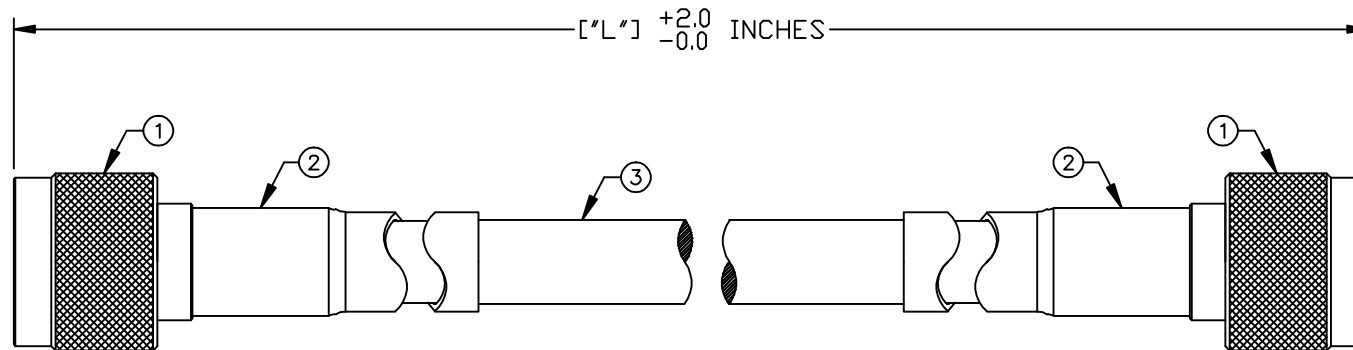


PART NO.

RFW-12602-XX

REV	DESCRIPTION	DWN	DATE	APPROVED
-	ENGINEERING RELEASE	CZS	3/11/20	JDMc

SPECIFICATIONS:

IMPEDANCE: 50 Ohms
 VELOCITY of PROPAGATION: 82%
 CAPACITANCE: 23.8 pF/FT
 ATTENUATION 5800 MHz: 35.5 dB/100M
 INNER CONDUCTOR: BCCAL
 DIELECTRIC: FOAM PE
 SHIELDING: ALUMINUM TAPE (BONDED)
 OUTER CONDUCTOR: TC WIRE BRAID
 JACKET: PE (OUTER DIAMETER 0.405")
 RoHS COMPLIANT

RFW-12602-XX

[\"L\"] LENGTH IN INCHES
 CONFIGURATION ID
 CABLE ASSEMBLY DESIGNATOR

STANDARD CABLE LENGTHS [\"L\"]:

-12 [1 FOOT]
 -24 [2 FEET]
 -36 [3 FEET]
 -48 [4 FEET]
 -60 [5 FEET]
 -72 [6 FEET]

FOR CUSTOM LENGTHS REPLACE XX
 FOR NUMBER OF INCHES

CUSTOMER
OUTLINE DRAWING

ALL DIMENSIONS
 ARE REFERENCE ONLY

UNLESS OTHERWISE SPECIFIED:
 DIMENSIONS ARE IN INCHES
 AND [MILLIMETERS]

DRAWN
 D. McREYNOLDS 3/11/20
 CHECKED

ORJ DRAWN
 C. ZUNIGA 08/27/19

PROPRIETARY AND CONFIDENTIAL

THIS DRAWING CONTAINS
 INFORMATION PROPRIETARY
 TO RF INDUSTRIES, ANY
 UNAUTHORIZED USE OF
 THIS DRAWING IS
 EXPRESSLY PROHIBITED
 WITHOUT WRITTEN
 PERMISSION FROM RF
 INDUSTRIES. ANY
 VIOLATION IS PUNISHABLE
 UNDER U.S. COPYRIGHT
 LAWS.

RFconnectors
 DIVISION OF RF INDUSTRIES, LTD.

7610 MIRAMAR RD.
 SAN DIEGO, CA 92126
 (858) 549-6340
 (858) 549-6345 FAX

**N MALE TO N MALE
 CU400 CABLE ASSEMBLY**

SIZE CABLE GROUP DWG NO. REVISION
 A N/A RFW-12602-XX —

SCALE: ENGINEERING ID: SHEET 1 OF 1
 NTS 000000

3	CBL-CU400	1	COAXIAL CABLE	BLACK
2	ST-3P500A-K	2	HEAT SHRINK	BLACK
1	RFN-1006-3I	2	N MALE CONNECTOR	SILVER
#	PART NUMBER	QTY	DESCRIPTION	FINISH