

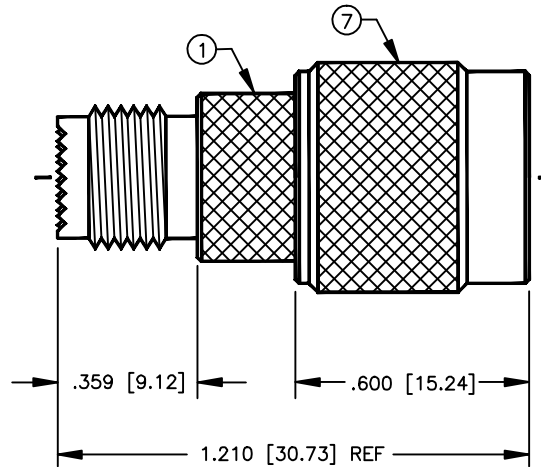
SPECIFICATION CONTROL DRAWING

THIS DRAWING CONTAINS INFORMATION PROPRIETARY TO RF INDUSTRIES, LTD. ANY UNAUTHORIZED USE OF THIS DRAWING IS EXPRESSLY PROHIBITED. ANY VIOLATION IS PUNISHABLE UNDER U.S. COPYRIGHT LAWS.

| REV | DESCRIPTION | DWN | DATE | APPROVED |
|-----|--|-----|---------|----------|
| A2 | CHG PIN PLATING TO GOLD / RPLS DWG 7830 | PB | 1/14/93 | J. BENZ |
| B | STANDARDIZE / REMOVE PRESS FIT WASHER ON MINI UHF SIDE | KMM | 7/14/94 | R. RICE |
| C | CHG GASKET CALL OUT / SEPARATE BODY VIEW / UPDATE DWG | CZS | 4/21/98 | R. RICE |
| D | STANDARDIZE DIE / REMOVE P/N FROM CONNECTOR | CZS | 4/6/99 | R. RICE |

000000

ALL DIMENSIONS ARE REFERENCE ONLY



SPECIFICATIONS:

IMPEDANCE: 50 OHMS
 WORKING VOLTAGE: 335 VRMS @ SEA LEVEL
 FREQUENCY RANGE: 0-2.5 GHz
 INTERFACE PER MIL-STD-348A, SECTION 313.1

DIMENSIONS ARE IN INCHES AND [MILLIMETERS]

UNLESS OTHERWISE NOTED TOLERANCES ARE:
 DECIMALS DIAMETER

| | |
|--------------------|---------|
| DRAWN C. ZUNIGA | 4/6/99 |
| CHECKED | |
| ORJ DRAWN --- | 8/20/95 |

RFconnectors
 DIVISION OF RF INDUSTRIES, LTD.

7610 MIRAMAR RD
 SAN DIEGO, CA 92126
 (619)549-6340
 (619)549-6345 FAX

RFU-628

MINI UHF FEMALE TO TNC MALE ADAPTER

| | | | |
|------------|--------------------|------------------|--------------|
| SIZE A | CABLE GROUP N/A | DWG NO. 7920 | REV D |
| SCALE: 2:1 | | CAD FILE 13ARC B | SHEET 1 OF 1 |

| ITEM | DESCRIPTION | QTY | MATERIAL | FINISH |
|------|----------------|-----|-------------|--------|
| 7 | SHELL | 1 | BRASS | NICKEL |
| 6 | RETAINING RING | 1 | BRASS | NICKEL |
| 5 | GASKET | 1 | S.I. RUBBER | RED |
| 4 | DIELECTRIC | 1 | PTFE | NONE |
| 3 | DIELECTRIC | 1 | PTFE | NONE |
| 2 | CONTACT | 1 | BRASS | GOLD |
| 1 | BODY | 1 | BRASS | NICKEL |

| APPROVALS | DATE |
|-----------|------|
|-----------|------|