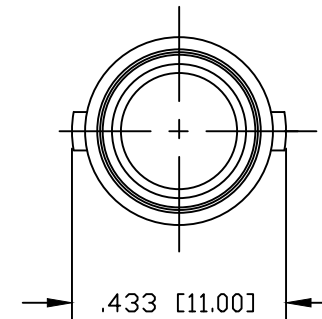
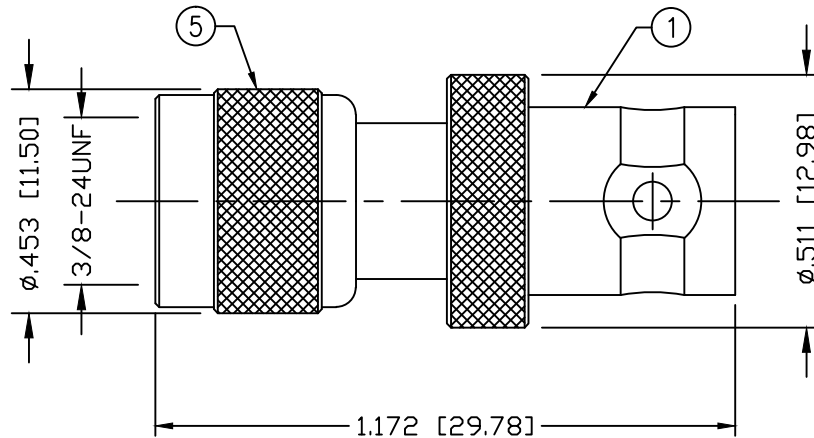


PART NO.

RFU-622

REV	DESCRIPTION	DWN	DATE	APPROVED
K	UPDATED CONNECTOR DESIGN AND DRAWING	CZS	01/06/17	JDMc

**SPECIFICATIONS:**

IMPEDANCE: 50 Ohms
 FREQUENCY RANGE: 0–2.5 GHz
 WORKING VOLTAGE: 335 V rms Max. @ Sea Level
 INSULATION RESISTANCE: 5k M Ohms min.
 TEMPERATURE RANGE: –65°C TO 165°C

#	DESCRIPTION	QTY	MATERIAL	FINISH
5	SHELL	1	BRASS	NICKEL, 100 μ "
4	PRESS FIT WASHER	1	BRASS	NICKEL, 100 μ "
3	CONTACT	1	BRASS	GOLD, 3 μ "
2	INSULATOR	1	PTFE	---
1	BODY	1	BRASS	NICKEL, 100 μ "

CUSTOMER
OUTLINE DRAWINGALL DIMENSIONS
ARE REFERENCE ONLYUNLESS OTHERWISE SPECIFIED:
DIMENSIONS ARE IN INCHES
AND [MILLIMETERS]

DRAWN	C. ZUNIGA	01/06/17
CHECKED		
ORJ DRAWN	C. ZUNIGA	8/25/85

**RoHS
COMPLIANT**

PROPRIETARY AND CONFIDENTIAL
 THIS DRAWING CONTAINS
 INFORMATION PROPRIETARY TO
 RF INDUSTRIES. ANY
 UNAUTHORIZED USE OF THIS
 DRAWING IS EXPRESSLY
 PROHIBITED WITHOUT WRITTEN
 PERMISSION FROM RF
 INDUSTRIES. ANY VIOLATION IS
 PUNISHABLE UNDER U.S.
 COPYRIGHT LAWS.

RFconnectors
 DIVISION OF RF INDUSTRIES, LTD.

7610 MIRAMAR RD.
 SAN DIEGO, CA 92126
 (858) 549-6340
 (858) 549-6345 FAX

**MINI UHF MALE TO
BNC FEMALE ADAPTER**

SIZE	CABLE GROUP	DWG NO.	REV
A	N/A	RFU-622	—
SCALE:	ENGINEERING ID:	000000	SHEET 1 OF 1
NTS			