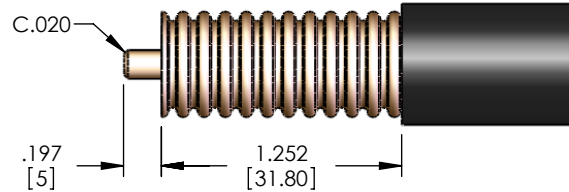
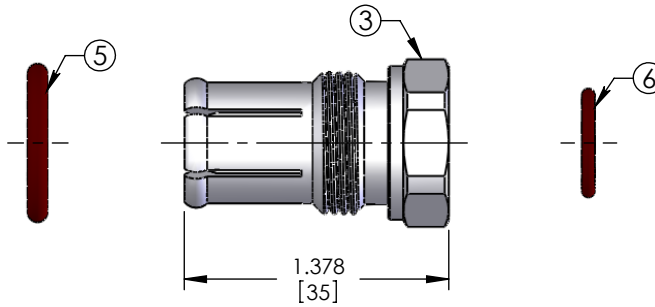
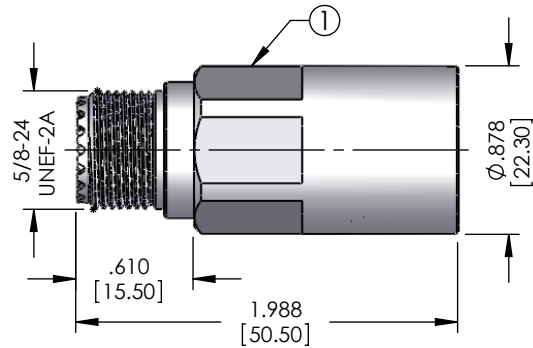
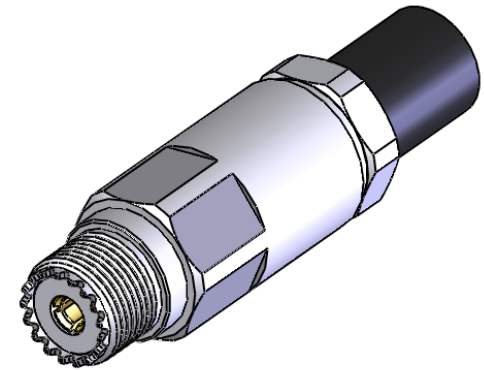


RFU-520-H1

REV	DESCRIPTION	DATE	APPR
-	ENGINEERING RELEASE	11/20/08	JDM



RECOMMENDED STRIPPING DIMENSIONS



SPECIFICATIONS:

IMPEDANCE: NON CONSTANT
 FREQUENCY RANGE: 0-300 MHz
 WORKING VOLTAGE: 500 V rms Max. @ Sea Level
 FOR ANDREW LDF4-50A & LDF4RN-50A, CELWAVE 810918-001
 CABLEWAVE FLC12-50J & EUPEN 5128 CABLE

NOTE: SILICONE LUBRICATOR INCLUDED (NOT SHOWN)

#	DESCRIPTION	PART NUMBER	MATERIAL	FINISH	QTY.
7	LUBE	NONE	SILICONE	NONE	1
6	O-RING	023-10X-002-LR	SILICONE RUBBER	NONE	1
5	O-RING	023-10X-001-LR	SILICONE RUBBER	NONE	1
4	INSULATOR	010-06X-001-TX	PTFE	NONE	1
3	SPRING CLAMP	003-06X-001-BT	Brass	WHITE BRONZE	1
2	CONTACT	008-06F-006-PT	PHOSPHOR BRONZE	SILVER	1
1	BODY	001-06F-001-BT	Brass	WHITE BRONZE	1

ROHS COMPLIANT	UNLESS OTHERWISE SPECIFIED:
	DIMENSIONS ARE IN INCHES
	ALL DIMENSIOS ARE FOR REFERENCE ONLY
	CABLE GROUP H1
CODE	008974

NAME	C. ZUNIGA	DATE	11/20/08
DRAWN			
CHECKED			
ENG APPR.			
PROPRIETARY AND CONFIDENTIAL			
THE INFORMATION CONTAINED IN THIS DRAWING IS THE SOLE PROPERTY OF RF INDUSTRIES. ANY REPRODUCTION IN PART OR AS A WHOLE WITHOUT THE WRITTEN PERMISSION OF RF INDUSTRIES IS STRICTLY PROHIBITED.			

RF INDUSTRIES 7610 MIRAMAR RD. SAN DIEGO, CA. 92126 858-549-6340 FAX 858-549-6345		
TITLE: UHF JACK, CLAMP		
SIZE A	DWG. NO. RFU-520-H1	REV -
SCALE: NTS	NOTES:	SHEET 1 OF 1