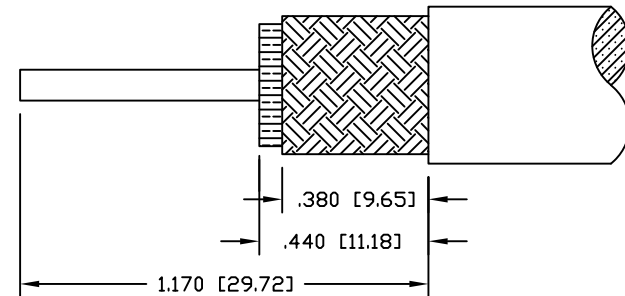
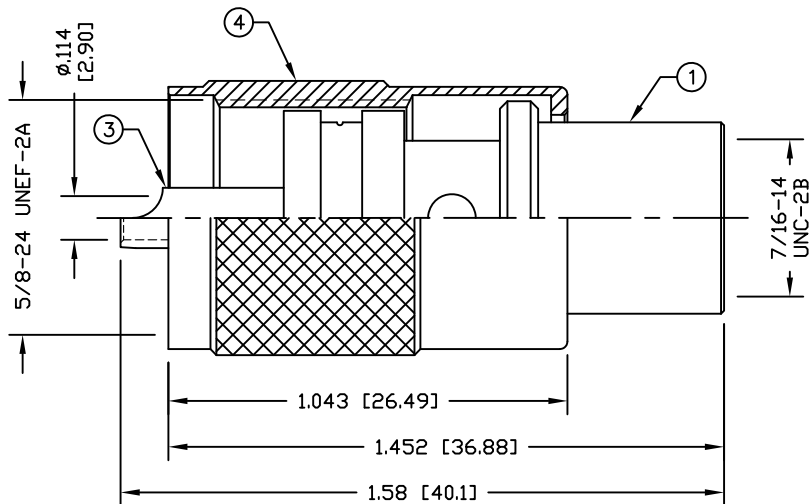


PART NO.

RFU-501

REV	DESCRIPTION	DWN	DATE	APPROVED
J	UPDATED DRAWING	CZS	11/01/21	JDMc

RECOMMENDED STRIPPING INSTRUCTIONS**SPECIFICATIONS:**

IMPEDANCE: NON CONSTANT
 FREQUENCY RANGE: 0-300 MHz
 VOLTAGE RATING: 500 VOLTS RMS

(E) FOR RG-8, 8A, 213/U

(F) FOR RG-9, 9A, 9B, 214/U

(I) FOR BELDEN 9913, 9914, RG-8/U TYPE, RG-393/U & TIMES LMR-400

W/RFU-530-S REDUCER

(C) FOR RG-58, 58A, 58C, 141, 141A, 400/U

(C1) FOR RG-55, 55A, 55B, 142, 142A, 142B & 223/U

(C2) FOR TIMES LMR-200, ALPHA 9848 & MSI-22

W/RFU-531-S REDUCER

(D) FOR RG-59, 59A, 59B, 62, 62A, 62C 71, 140 & 210/U

(P) FOR ANTENNA SPECIALIST K214 & PRO-FLEX 800, TIMES AA3096 & COMM/SCOPE 2278 & 2279 CABLE

(X) FOR RG-8/X & 30/U, BELDEN 9258, TIMES LMR-240 & LMR-240 ULTRAFLEX

4	SHELL	1	BRASS	SILVER
3	PIN	1	BRASS	SILVER
2	INSULATOR	1	PTFE	NATURAL
1	BODY	1	BRASS	SILVER
#	DESCRIPTION	QTY	MATERIAL	FINISH

CUSTOMER
OUTLINE DRAWINGALL DIMENSIONS
ARE REFERENCE ONLYUNLESS OTHERWISE SPECIFIED:
DIMENSIONS ARE IN INCHES
AND [MILLIMETERS]DRAWN
C. ZUÑIGA 11/01/21

CHECKED

ORJ DRAWN
S. SMITH 07/17/90**RoHS
COMPLIANT**

PROPRIETARY AND CONFIDENTIAL
 THIS DRAWING CONTAINS
 INFORMATION PROPRIETARY TO
 RF INDUSTRIES, ANY
 UNAUTHORIZED USE OF THIS
 DRAWING IS EXPRESSLY
 PROHIBITED WITHOUT WRITTEN
 PERMISSION FROM RF
 INDUSTRIES. ANY VIOLATION IS
 PUNISHABLE UNDER U.S.
 COPYRIGHT LAWS.

RFconnectors

RFINDUSTRIES.COM
 7610 MIRAMAR RD.
 SAN DIEGO, CA 92126
 (858) 549-6340
 DIVISION OF RF INDUSTRIES, LTD. (858) 549-6345 FAX

UHF PLUG, SOLDER

PL-259

DWG #

RFU-501

CABLE GROUP	CONTROL #	SCALE	FORMAT	SHEET	REVISION
MULTIPLE	000494	NTS	A	1 OF 1	J