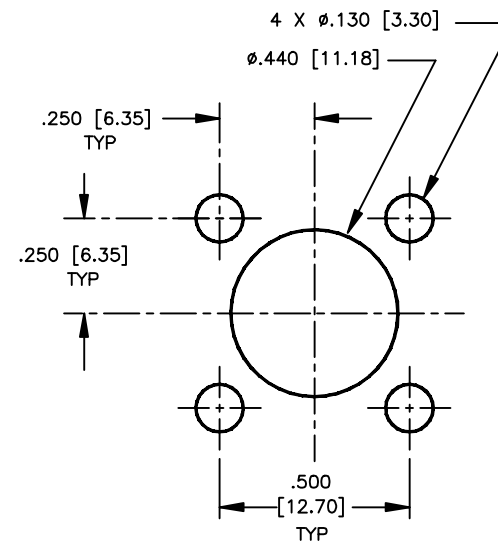
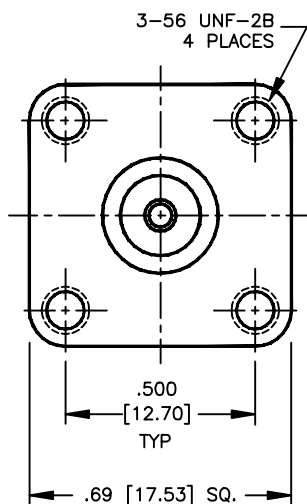
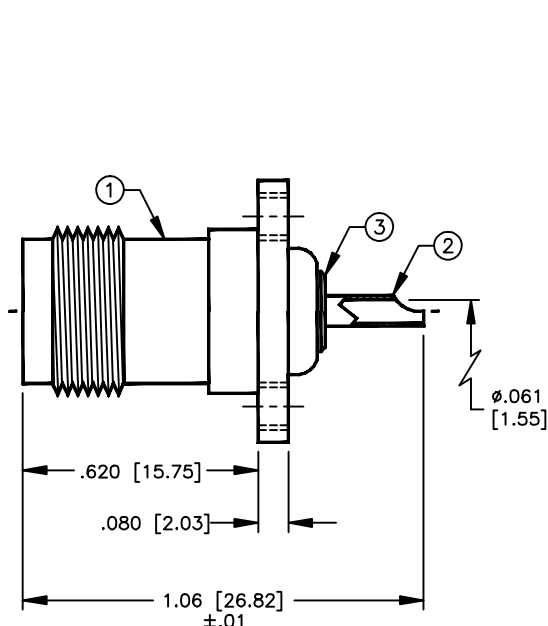


ENVELOPE / ASSEMBLY DRAWING

SPECIFICATION CONTROL DRAWING

THIS DRAWING CONTAINS INFORMATION PROPRIETARY TO RF INDUSTRIES, LTD. ANY UNAUTHORIZED USE OF THIS DRAWING IS EXPRESSLY PROHIBITED. ANY VIOLATION IS PUNISHABLE UNDER U.S. COPYRIGHT LAWS.

REV	DESCRIPTION	DWN	DATE	APPROVED
A	ENGINEERING RELEASE	CZS	10/22/98	R. RICE
B	CHANGE TOLERANCE	CZS	1/25/99	R. RICE



000000

SPECIFICATIONS:

IMPEDANCE: 50 OHMS
 WORKING VOLTAGE: 500 VRMS @ SEA LEVEL
 FREQUENCY RANGE: 0-7 GHz
 INTERFACE PER MIL-STD-348A, SECTION 313.2

DIMENSIONS ARE IN INCHES AND [MILLIMETERS]

UNLESS OTHERWISE NOTED TOLERANCES ARE:

DECIMALS DIAMETER
 .XXX±.003 [.08] .XXX±.001 [.03]
 .XX±.005 [.13] .XX±.003 [.08]
 ANGLES: ±1°

DRAWN C. ZUNIGA 1/25/99

CHECKED

ORJ DRAWN C. ZUNIGA 10/22/98

APPROVALS DATE

RFconnectors
 DIVISION OF RF INDUSTRIES, LTD.

7610 MIRAMAR RD
 SAN DIEGO, CA 92126
 (619)549-6340
 (619)549-6345 FAX

RFT-1210-15

TNC FEMALE 4 HOLE FLANGE

SIZE	CABLE GROUP	DWG NO.	REV
A	N/A	8971	B

SCALE: 2:1	CAD FILE 13ARC B	SHEET 1 OF 1
------------	------------------	--------------

ITEM	DESCRIPTION	QTY	MATERIAL	FINISH
3	DIELECTRIC	1	PTFE	NONE
2	CONTACT	1	BeCu	GOLD
1	BODY	1	BRASS	NICKEL