

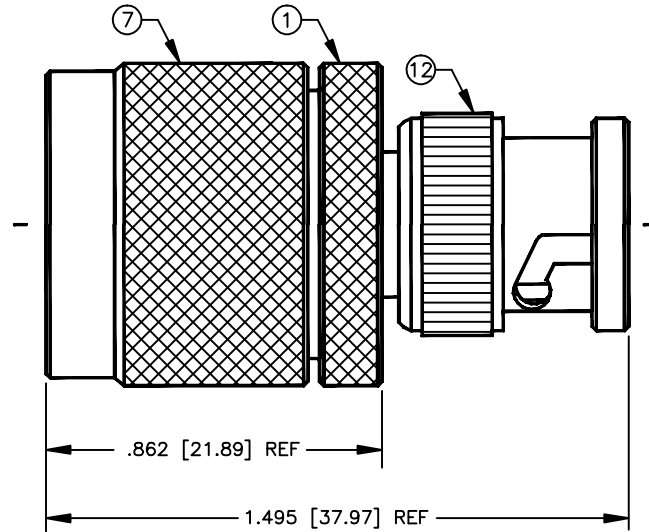
# SPECIFICATION CONTROL DRAWING

THIS DRAWING CONTAINS INFORMATION PROPRIETARY TO RF INDUSTRIES, LTD. ANY UNAUTHORIZED USE OF THIS DRAWING IS EXPRESSLY PROHIBITED. ANY VIOLATION IS PUNISHABLE UNDER U.S. COPYRIGHT LAWS.

REV	DESCRIPTION	DWN	DATE	APPROVED
A	ENGINEERING RELEASE	KMM	9/1/95	R. RICE
B	ADD BODY OD DIM AND GROOVE	CZS	8/21/98	R. RICE
C	CHG BOTH SHELLS, BODY DIMS & PIN CONFIG/NOW ONE DIE ONLY	CZS	2/22/99	R. RICE
D	CHANGE BODY, DIELECTRIC & GROUND RING DIMENSIONS	CZS	3/3/00	R. RICE

ALL DIMENSIONS ARE REFERENCE ONLY

000000



## SPECIFICATIONS:

IMPEDANCE: 50 OHMS  
 WORKING VOLTAGE: 500 VRMS @ SEA LEVEL  
 FREQUENCY RANGE: 0-4 GHz  
 INTERFACE PER MIL-STD-348, SECTION 301.1 & 304.1

ITEM	DESCRIPTION	QTY	MATERIAL	FINISH
12	BNC SHELL	1	BRASS	SILVER
11	WASHER	1	BRASS	SILVER
10	SPRING	1	SK-5	NONE
9	SPLIT LOCK WASHER	1	BRASS	SILVER
8	GASKET	1	S.I. RUBBER	RED
7	N SHELL	1	BRASS	SILVER
6	RETAINING RING	1	BRASS	NONE
5	GASKET	1	S.I. RUBBER	RED
4	GROUND RING	1	BRASS	SILVER
3	DIELECTRIC	1	PTFE	NONE
2	PIN	1	BRASS	GOLD
1	BODY	1	BRASS	SILVER

DIMENSIONS ARE IN INCHES AND [MILLIMETERS]	
UNLESS OTHERWISE NOTED TOLERANCES ARE: DECIMALS      DIAMETER	
DRAWN C. ZUNIGA	3/3/00
CHECKED	
ORJ DRAWN K. MAXWELL	9/1/95
APPROVALS	DATE

**RFconnectors**  
 DIVISION OF RF INDUSTRIES, LTD.

7610 MIRAMAR RD  
 SAN DIEGO, CA 92126  
 (858) 549-6340  
 (858) 549-6345 FAX

## RFN-1040-1 / UG-1034/U

N MALE TO BNC MALE ADAPTER

SIZE A	CABLE GROUP N/A	DWG NO. 8555	REV D
SCALE: 2:1		CAD FILE D:\14ARC	SHEET 1 OF 1