

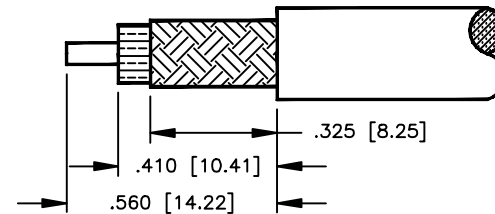
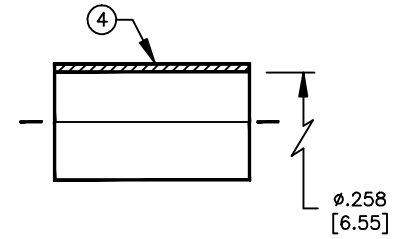
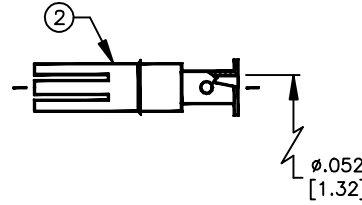
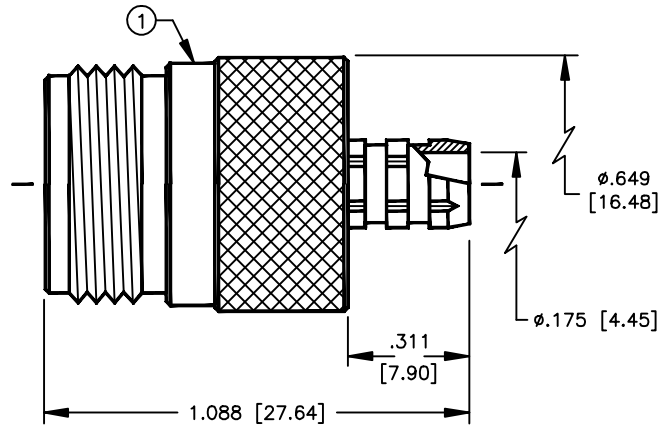
SPECIFICATION CONTROL DRAWING

THIS DRAWING CONTAINS INFORMATION PROPRIETARY TO RF INDUSTRIES, LTD. ANY UNAUTHORIZED USE OF THIS DRAWING IS EXPRESSLY PROHIBITED. ANY VIOLATION IS PUNISHABLE UNDER U.S. COPYRIGHT LAWS.

REV	DESCRIPTION	DWN	DATE	APPROVED
A	ENGINEERING RELEASE	PB	6/10/92	J. BENZ
B	DELETE PRESS FIT FERRULE STUD / ADD PRESS FIT SLEEVE	KMM	2/8/94	C. JONES
C	CHANGE BODY, PIN, DIE & STRIP INSTRUCTIONS DIMS	CZS	4/28/99	R. RICE

000000

ALL DIMENSIONS ARE REFERENCE ONLY



SUGGESTED STRIPPING INSTRUCTIONS
SUGGESTED CRIMP DIE: .068 & .255

SPECIFICATIONS:

IMPEDANCE: 50 OHMS
 WORKING VOLTAGE: 1000 VRMS @ SEA LEVEL
 FREQUENCY RANGE: 0-11 GHz
 INSERTION LOSS: \leq -.2 dB @ 10 GHz
 VSWR MAX: 1.3:1 @ 9 GHz
 FOR ANTENNA SPECIALIST K214 & PRO-FLEX 800, TIMES AA3096 CABLE INTERFACE PER MIL-STD-348A, SECTION 304.2

DIMENSIONS ARE IN INCHES AND [MILLIMETERS]

UNLESS OTHERWISE NOTED TOLERANCES ARE:
DECIMALS DIAMETER

RFconnectors

DIVISION OF RF INDUSTRIES, LTD.

7610 MIRAMAR RD
SAN DIEGO, CA 92126
(619)549-6340
(619)549-6345 FAX

RFN-1029-SP

N FEMALE CRIMP

ITEM	DESCRIPTION	QTY	MATERIAL	FINISH
5	PRESS FIT SLEEVE	1	BRASS	SILVER
4	FERRULE [FER-204]	1	BRASS	SILVER
3	DIELECTRIC	1	PTFE	NONE
2	CONTACT [CON-310-10]	1	BRASS	GOLD
1	BODY	1	BRASS	SILVER

DRAWN C. ZUNIGA	4/28/99
CHECKED	
ORJ DRAWN P. BREAUX	6/10/92
APPROVALS	DATE

SIZE A	CABLE GROUP P	DWG NO. 7603	REV C
SCALE: 2:1		CAD FILE 13ARC B	SHEET 1 OF 1