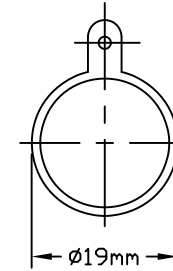
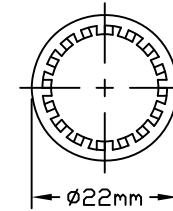
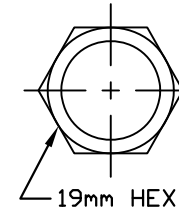
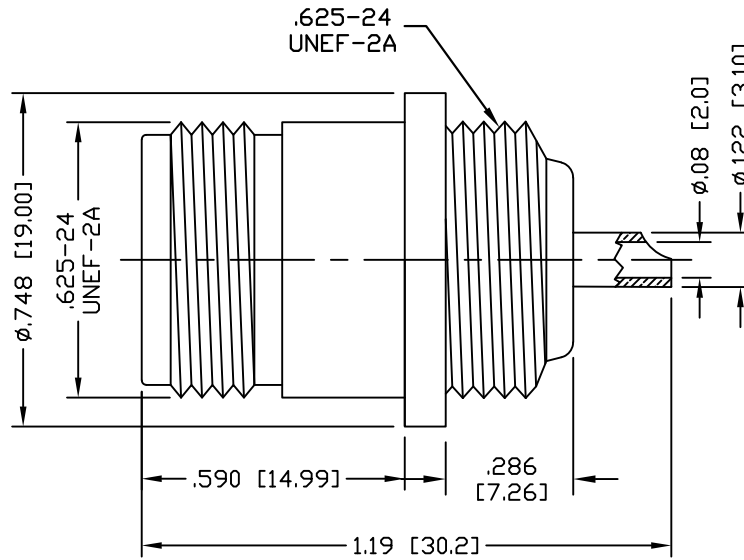


PART NO.		RFN-1022		
REV	DESCRIPTION	DWN	DATE	APPROVED
-	ENGINEERING RELEASE	CZ	11/12/21	JDMc



HARDWARE NOT TO SCALE

SPECIFICATIONS:

IMPEDANCE: 50 Ohms
 FREQUENCY RANGE: 0-11 GHz
 WORKING VOLTAGE: 1000 VRMS @ SEA LEVEL

#	DESCRIPTION	QTY	MATERIAL	FINISH
6	HEX NUT	1	BRASS	SILVER
5	SOLDER LUG	1	BRASS	SILVER
4	LOCK WASHER	1	BRASS	SILVER
3	CONTACT	1	BRASS	GOLD
2	INSULATOR	1	PTFE	NATURAL
1	BODY	1	BRASS	SILVER

CUSTOMER OUTLINE DRAWING	
ALL DIMENSIONS ARE REFERENCE ONLY	
UNLESS OTHERWISE SPECIFIED: DIMENSIONS ARE IN INCHES AND [MILLIMETERS]	
DRAWN C. ZUÑIGA	11/12/21
CHECKED	
ORJ DRAWN C. ZUÑIGA	11/12/21

RoHS COMPLIANT

PROPRIETARY AND CONFIDENTIAL

THIS DRAWING CONTAINS INFORMATION PROPRIETARY TO RF INDUSTRIES, ANY UNAUTHORIZED USE OF THIS DRAWING IS EXPRESSLY PROHIBITED WITHOUT WRITTEN PERMISSION FROM RF INDUSTRIES. ANY VIOLATION IS PUNISHABLE UNDER U.S. COPYRIGHT LAWS.

RFconnectors		RFINDUSTRIES.COM 7610 MIRAMAR RD. SAN DIEGO, CA 92126 (858) 549-6340	
DIVISION OF RF INDUSTRIES, LTD.		(858) 549-6345 FAX	
N FEMALE			
FRONT MOUNT BULKHEAD CONNECTOR			
DWG #		RFN-1022	
CABLE GROUP N/A	CONTROL # 000000	SCALE NTS	FORMAT A
SHEET 1 OF 1	REVISION -		