

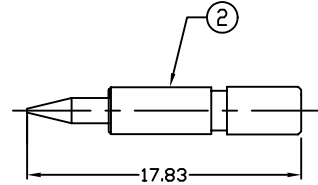
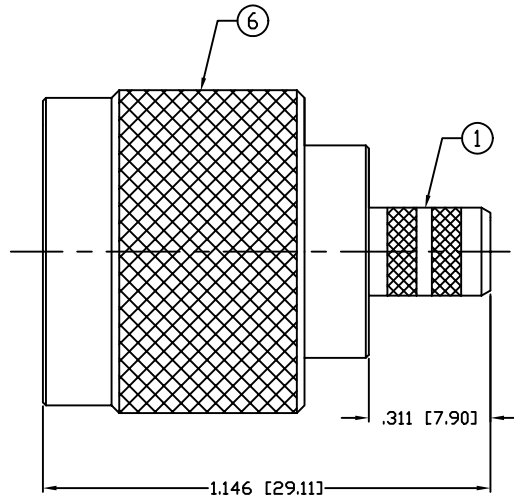
THIS DRAWING CONTAINS INFORMATION PROPRIETARY TO RF INDUSTRIES,  
 ANY UNAUTHORIZED USE OF THIS DRAWING IS EXPRESSLY PROHIBITED  
 WITHOUT WRITTEN PERMISSION FROM RF INDUSTRIES.  
 ANY VIOLATION IS PUNISHABLE UNDER U.S. COPYRIGHT LAWS.

ALL DIMENSIONS ARE REFERENCE ONLY

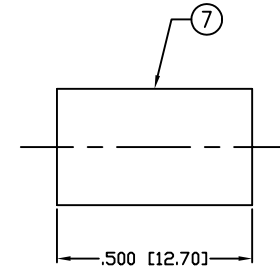
PART NO.

**RFN-1007-X**

REV	DESCRIPTION	DWN	DATE	APPROVED
-	ENG RELEASE	JDMc	11/19/03	R. RICE
A	CHANGED CRIMP DIE SIZE FROM .068"	JDMc	4/6/06	R. RICE



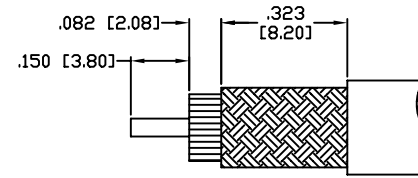
RECOMMENDED  
CRIMP DIE: .100"



RECOMMENDED  
CRIMP DIE: .255"

**SPECIFICATIONS:**

IMPEDANCE: 50 Ohms  
 FREQUENCY RANGE: 0-11 GHz  
 VSWR: 1.3 Max.  
 INSERTION LOSS: .06 dB Max. X  $\sqrt{f}$ GHz  
 WORKING VOLTAGE: 1k V rms @ sea level  
 TEMPERATURE RANGE: -65°C TO 85°C  
 INSULATION RESISTANCE: 5k M Ohms min.  
 FOR RG-8/X, BELDEN 9258, MAXRAD M8X-100 &  
 M8X-1000, MICRO 8/U, REMEE 1600, SAXTON 8315 &  
 TIMES LMR-240 & LMR-240 ULTRAFLEX CABLE



RECOMMENDED  
STRIPPING DIMENSIONS

1	BODY	1	BRASS	NICKEL, 80μ"	000486	
2	PIN	1	BRASS	GOLD, 3μ"		
3	DIELECTRIC	1	PTFE	WHITE		
4	RETAINING RING	1	BRASS	NATURAL		
5	GASKET	1	RUBBER	RED		
6	SHELL	1	BRASS	NICKEL, 80μ"		
7	FERRULE	1	BRASS	NICKEL, 80μ"		
8	GRUOND RING	1	BRASS	NICKEL, 80μ"		
9						
10					DRAWN	
11					JDMc	
12					CHECKED	
13						
14						
					ORJ DRAWN	
					JDMc	
#	DESCRIPTION	QTY	MATRL	FINISH	APPROVALS	DATE

UNLESS OTHERWISE SPECIFIED:  
 1. REMOVE ALL BURRS  
 2. BREAK ALL CORNERS & EDGES .005 R. MAX.  
 3. CHAMFER 1ST & LAST THREADS 45°  
 4. SURFACE ROUGHNESS 63 FINISH MIL-STD-10  
 5. DIAMETERS ON COMMON CENTERS TO BE CONCENTRIC WITHIN .002 T.I.R.  
 6. ALL DIMENSIONS ARE AFTER PLATING.

DIMENSIONS ARE IN INCHES AND [MILLIMETERS]  
 UNLESS OTHERWISE NOTED TOLERANCES ARE:  
 DECIMALS      DIAMETER  
 .xxx±.003 [.08]      .xxx±.001 [.03]  
 .xx±.005 [.13]      .xx±.003 [.08]

**RF connectors**  
 DIVISION OF RF INDUSTRIES, LTD.

7610 MIRAMAR RD  
 SAN DIEGO, CA 92126  
 (858) 549-6340  
 (858) 549-6345 FAX

**N PLUG CRIMP**

SIZE	CABLE GROUP	DWG NO.	REV
A	X	RFN-1007-X	-
SCALE:	NTS	CAD FILE	OUTLINE
		SHEET 1 OF 1	