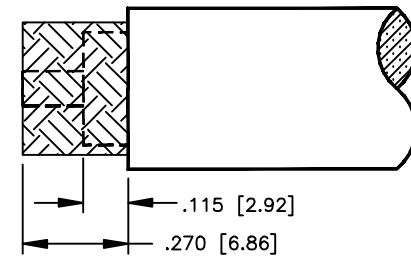
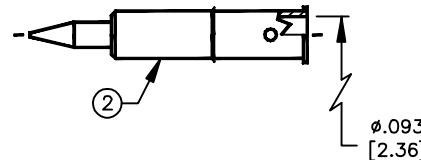
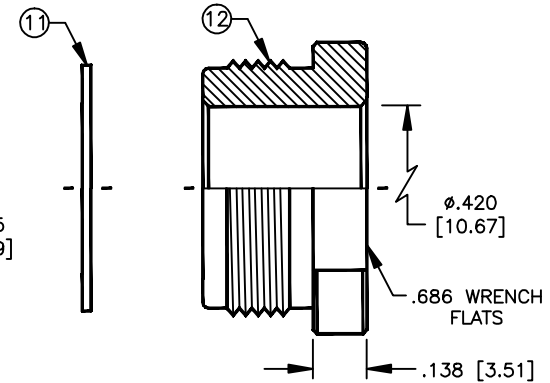
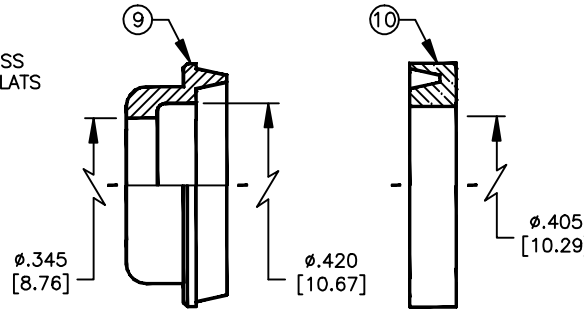
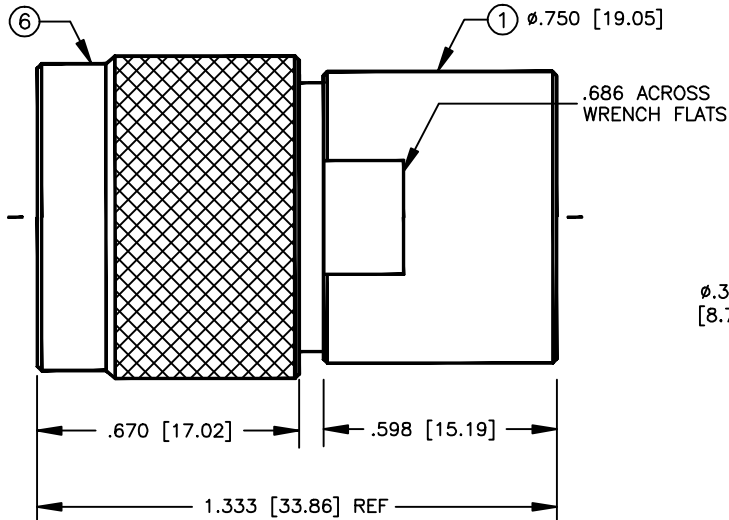


# SPECIFICATION CONTROL DRAWING

THIS DRAWING CONTAINS INFORMATION PROPRIETARY TO RF INDUSTRIES, LTD. ANY UNAUTHORIZED USE OF THIS DRAWING IS EXPRESSLY PROHIBITED. ANY VIOLATION IS PUNISHABLE UNDER U.S. COPYRIGHT LAWS.

REV	DESCRIPTION	DWN	DATE	APPROVED
C	ADD NUT AND BODY CALL OUTS	KMM	8/30/94	R. RICE
D	UPDATE \ CHANGE DIMS \ SEPARATE BODY IN DWG	KMM	6/3/97	R. RICE
E	ADD CLAMP DIM / CHG STRIPPING INST	CZS	6/19/98	R. RICE
F	STANDARDIZE SHELL & BODY / CHG DIE ID & STRIP INSTR	CZS	2/9/99	R. RICE

ALL DIMENSIONS ARE REFERENCE ONLY



SUGGESTED STRIPPING INSTRUCTIONS  
SUGGESTED DIE: .100

000000

## SPECIFICATIONS:

IMPEDANCE: 50 OHMS  
 WORKING VOLTAGE: 1000 VRMS @ SEA LEVEL  
 FREQUENCY RANGE: 0-11 GHz  
 INSERTION LOSS: ≤ -0.2 dB @ 10 GHz  
 VSWR MAX: 1.3:1 @ 9 GHz  
 FOR RG-8, 8A, 213/U, BELDEN 8237, 8267, 9251 & 9880  
 INTERFACE PER MIL-STD-348A, SECTION 304.1

ITEM	DESCRIPTION	QTY	MATERIAL	FINISH
12	END NUT	1	BRASS	SILVER
11	WASHER	1	BRASS	SILVER
10	GASKET	1	S.I. RUBBER	RED
9	CLAMP	1	BRASS	SILVER
8	PRESS FIT WASHER	1	BRASS	SILVER
7	RETAINING RING	1	BRASS	NONE
6	SHELL	1	BRASS	SILVER
5	GASKET	1	S.I. RUBBER	RED
4	GROUND RING	1	BRASS	SILVER
3	DIELECTRIC	1	PTFE	NONE
2	PIN (PIN-305-10)	1	BRASS	GOLD
1	BODY	1	BRASS	SILVER

DIMENSIONS ARE IN INCHES AND [MILLIMETERS]

UNLESS OTHERWISE NOTED TOLERANCES ARE:

DECIMALS DIAMETER

DRAWN C. ZUNIGA 2/9/99

CHECKED

ORJ DRAWN D. FRIAS 1/22/88

APPROVALS DATE

**RFconnectors**  
DIVISION OF RF INDUSTRIES, LTD.

7610 MIRAMAR RD  
 SAN DIEGO, CA 92126  
 (619)549-6340  
 (619)549-6345 FAX

**RFN-1002-1S \ UG-21E/U**

N MALE CLAMP

SIZE	CABLE GROUP	DWG NO.	REV
A	E	7806	F

SCALE: 2:1

CAD FILE 13ARC B

SHEET 1 OF 1