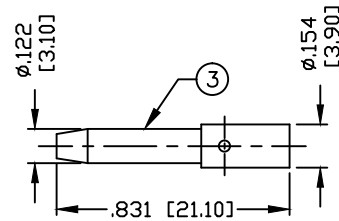
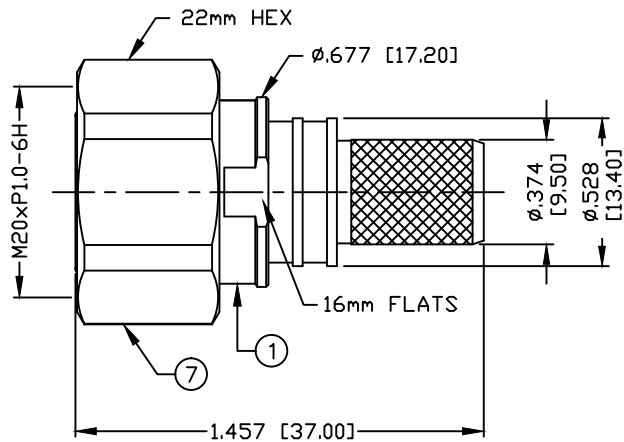


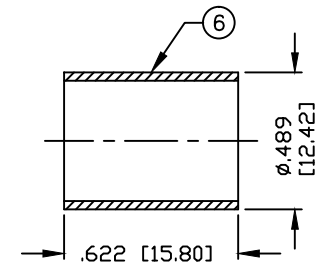
PART NO.

RFD-43M-400

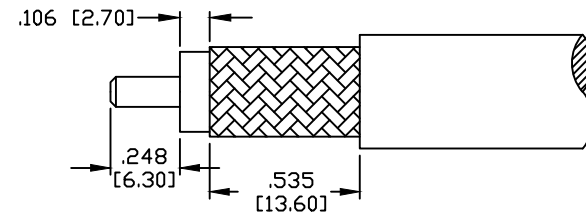
REV	DESCRIPTION	DWN	DATE	APPROVED
-	ENGINEERING RELEASE	CZS	01/16/19	JDMc



RECOMMENDED CRIMP DIE: .118"/.128"



RECOMMENDED CRIMP DIE: .429"



RECOMMENDED STRIPPING DIMENSIONS

SPECIFICATIONS:

INTERFACE: IEC61169-54
 IMPEDANCE: 50 Ohms
 FREQUENCY RANGE: 0-6 GHz
 VSWR: <1.2:1 THRU 3 GHz
 INSERTION LOSS(dB): $\leq 0.05 \times \sqrt{f(\text{GHz})}$
 WORKING VOLTAGE: 500 Vrms Max.
 INSULATION RESISTANCE: 5000M Ω
 TEMPERATURE RANGE: -55°C TO 85°C
 MECHANICAL DURABILITY: ≥ 100 CYCLES
 FOR LMR-400 CABLE

#	DESCRIPTION	QTY	MATERIAL	FINISH
7	SHELL	1	BRASS	WHITE BRONZE
6	FERRULE	1	BRASS	WHITE BRONZE
5	RETAINING RING	1	SST	WHITE BRONZE
4	O-RING	1	SI RUBBER	---
3	PIN	1	BRASS	SILVER
2	INSULATOR	1	PTFE	---
1	BODY	1	BRASS	WHITE BRONZE

CUSTOMER
OUTLINE DRAWING
ALL DIMENSIONS
ARE REFERENCE ONLY

UNLESS OTHERWISE SPECIFIED:
DIMENSIONS ARE IN INCHES
AND [MILLIMETERS]

DRAWN	C. ZUNIGA	01/16/19
CHECKED		
ORJ DRAWN	C. ZUNIGA	01/16/19

RoHS
COMPLIANT

PROPRIETARY AND CONFIDENTIAL
THIS DRAWING CONTAINS
INFORMATION PROPRIETARY TO
RF INDUSTRIES. ANY
UNAUTHORIZED USE OF THIS
DRAWING IS EXPRESSLY
PROHIBITED WITHOUT WRITTEN
PERMISSION FROM RF
INDUSTRIES. ANY VIOLATION IS
PUNISHABLE UNDER U.S.
COPYRIGHT LAWS.

RFconnectors
DIVISION OF RF INDUSTRIES, LTD.

RFINDUSTRIES.COM
7610 MIRAMAR RD.
SAN DIEGO, CA 92126
(858) 549-6340
(858) 549-6345 FAX

4.3/10 CRIMP PLUG

CABLE GROUP	DWG #	REVISION
	RFD-43M-400	---
FORMAT	SCALE	CONTROL #
A	NTS	N/A
		SHEET 1 OF 1