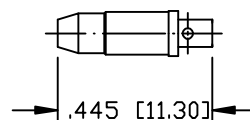
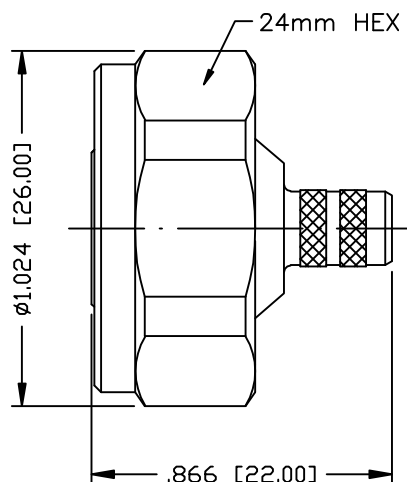


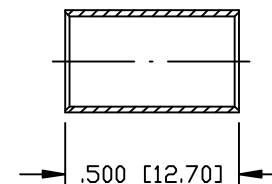
PART NO.

RFD-4195-X

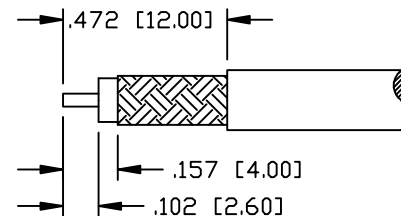
REV	DESCRIPTION	DWN	DATE	APPROVED
-	ENGINEERING RELEASE	CZS	12/12/16	JDMc



SOLDER PIN



RECOMMENDED CRIMP DIE: .255"



RECOMMENDED STRIPPING DIMENSIONS

SPECIFICATIONS:

IMPEDANCE: 50 Ohms

FREQUENCY RANGE: 0-6 GHz

VSWR: <1.15:1 THRU 3 GHz

INSERTION LOSS: >-.1dB

TEMPERATURE RANGE: -40°C TO 80°C

FOR RG-8/X, BELDEN 9258, MAXRAD M8X-100 &
 M8X-1000, MICRO 8/U, REMEE 1600, SAXTON 8315 &
 TIMES LMR-240 & LMR-240 ULTRAFLEX CABLE

#	DESCRIPTION	QTY	MATERIAL	FINISH
4	PIN	1	BRASS	GOLD, 3 μ "
3	FERRULE	1	COPPER	NICKEL, 100 μ "
2	INSULATOR	1	PTFE	---
1	BODY	1	BRASS	NICKEL, 100 μ "

CUSTOMER
OUTLINE DRAWINGALL DIMENSIONS
ARE REFERENCE ONLYUNLESS OTHERWISE SPECIFIED:
DIMENSIONS ARE IN INCHES
AND [MILLIMETERS]

DRAWN C. ZUNIGA	12/12/16
CHECKED	
ORJ DRAWN C. ZUNIGA	12/12/16

PROPRIETARY AND CONFIDENTIAL
 THIS DRAWING CONTAINS
 INFORMATION PROPRIETARY TO
 RF INDUSTRIES. ANY
 UNAUTHORIZED USE OF THIS
 DRAWING IS EXPRESSLY
 PROHIBITED WITHOUT WRITTEN
 PERMISSION FROM RF
 INDUSTRIES. ANY VIOLATION IS
 PUNISHABLE UNDER U.S.
 COPYRIGHT LAWS.

RFconnectors
 DIVISION OF RF INDUSTRIES, LTD.

7610 MIRAMAR RD.
 SAN DIEGO, CA 92126
 (858) 549-6340
 (858) 549-6345 FAX

4.1/9.5 MINI DIN MALE CRIMP

SIZE	CABLE GROUP	DWG NO.	REV
A	X	RFD-4195-X	---
SCALE: NTS	ENGINEERING ID: 000000	SHEET 1 OF 1	