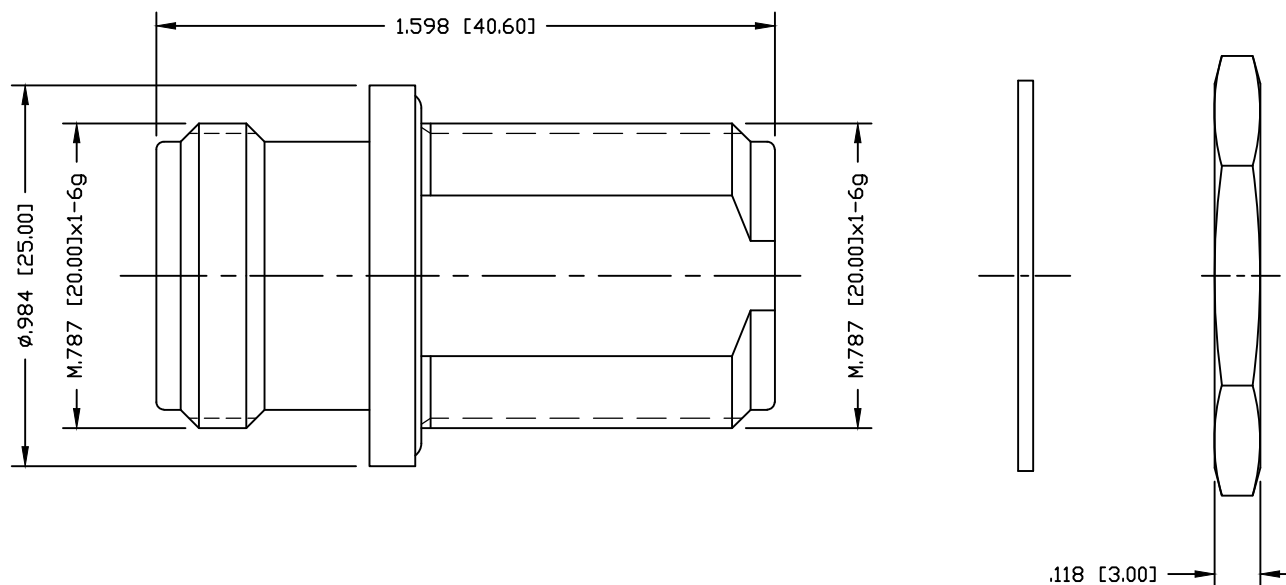


PART NO.

RFD-4195-1954

REV	DESCRIPTION	DWN	DATE	APPROVED
-	ENGINEERING RELEASE	CZS	07/07/16	JDMc

**SPECIFICATIONS:**

INTERFACE: IEC61169-11

IMPEDANCE: 50 Ohms

FREQUENCY RANGE: DC-6GHz

VSWR: <1.1:1 @ 3GHz, 1.15 @ 4GHz 1.25 @ 6GHz

INSULATION RESISTANCE: 5M OHMS

3RD INTERMODULATION: ≤-160 dBc

TEMPERATURE RANGE: -55°C TO +120°C

MECHANICAL DURABILITY: 500 CYCLES

5	HEX NUT	1	BRASS	WHITE BRONZE
5	WASHER	1	BRASS	WHITE BRONZE
4	O-RING	1	SI RUBBER	----
3	CONTACT	1	Be.Cu.	SILVER
2	INSULATOR	1	PTFE	----
1	BODY	1	BRASS	WHITE BRONZE
#	DESCRIPTION	QTY	MATERIAL	FINISH

CUSTOMER
OUTLINE DRAWINGALL DIMENSIONS
ARE REFERENCE ONLYUNLESS OTHERWISE SPECIFIED:
DIMENSIONS ARE IN INCHES
AND [MILLIMETERS]

DRAWN	C. ZUNIGA	07/07/16
CHECKED		
ORJ DRAWN	C. ZUNIGA	07/07/16

**RoHS
COMPLIANT**

PROPRIETARY AND CONFIDENTIAL
THIS DRAWING CONTAINS
INFORMATION PROPRIETARY TO
RF INDUSTRIES, ANY
UNAUTHORIZED USE OF THIS
DRAWING IS EXPRESSLY
PROHIBITED WITHOUT WRITTEN
PERMISSION FROM RF
INDUSTRIES. ANY VIOLATION IS
PUNISHABLE UNDER U.S.
COPYRIGHT LAWS.

RFconnectors7610 MIRAMAR RD.
SAN DIEGO, CA 92126
(858) 549-6340
(858) 549-6345 FAX**4.1-9.5 JACK TO 4.1-9.5
JACK BULKHEAD ADAPTER**

SIZE	CABLE GROUP	DWG NO.	REV
A	N/A	RFD-4195-1954	—
SCALE:	ENGINEERING ID:	SHEET 1 OF 1	
NTS	000000		